



Chipsmall Limited consists of a professional team with an average of over 10 year of expertise in the distribution of electronic components. Based in Hongkong, we have already established firm and mutual-benefit business relationships with customers from,Europe,America and south Asia,supplying obsolete and hard-to-find components to meet their specific needs.

With the principle of “Quality Parts,Customers Priority,Honest Operation,and Considerate Service”,our business mainly focus on the distribution of electronic components. Line cards we deal with include Microchip,ALPS,ROHM,Xilinx,Pulse,ON,Everlight and Freescale. Main products comprise IC,Modules,Potentiometer,IC Socket,Relay,Connector.Our parts cover such applications as commercial,industrial, and automotives areas.

We are looking forward to setting up business relationship with you and hope to provide you with the best service and solution. Let us make a better world for our industry!



Contact us

Tel: +86-755-8981 8866 Fax: +86-755-8427 6832

Email & Skype: info@chipsmall.com Web: www.chipsmall.com

Address: A1208, Overseas Decoration Building, #122 Zhenhua RD., Futian, Shenzhen, China



THIS DRAWING IS UNPUBLISHED.

RELEASED FOR PUBLICATION

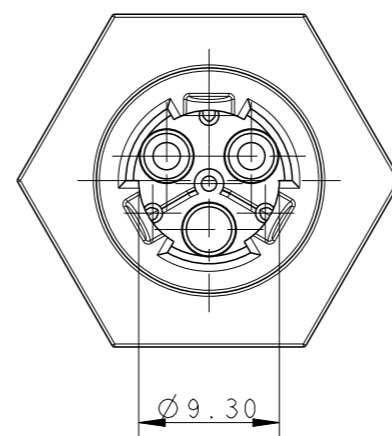
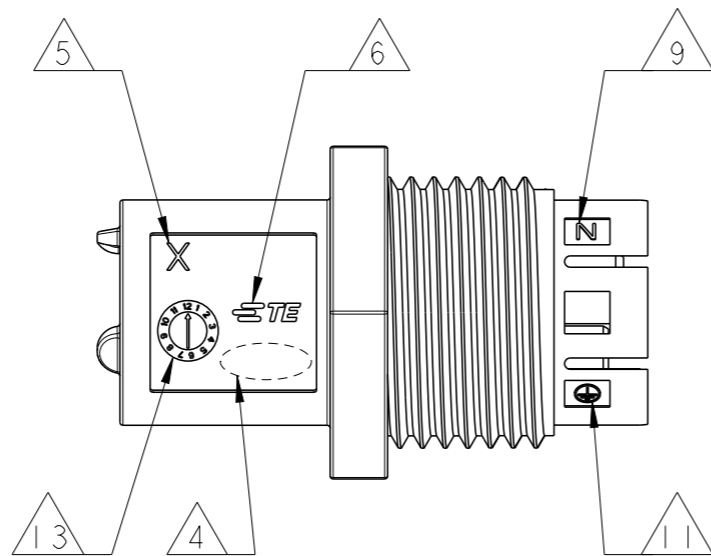
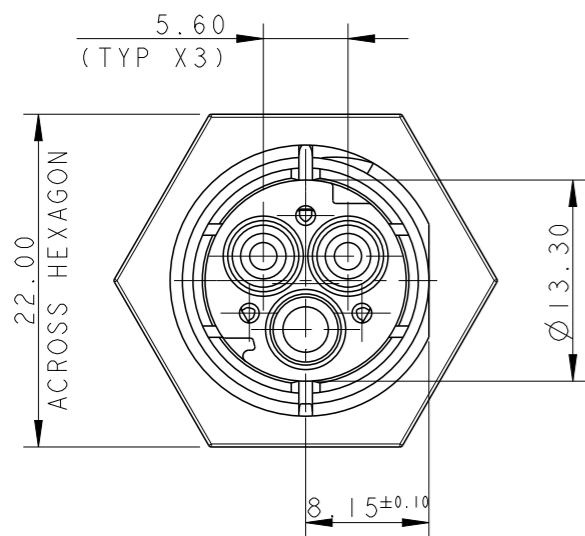
2011

© COPYRIGHT 2011 BY -

ALL RIGHTS RESERVED.

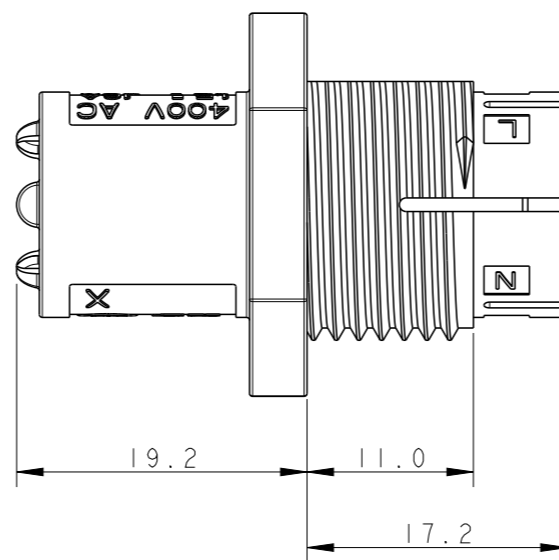
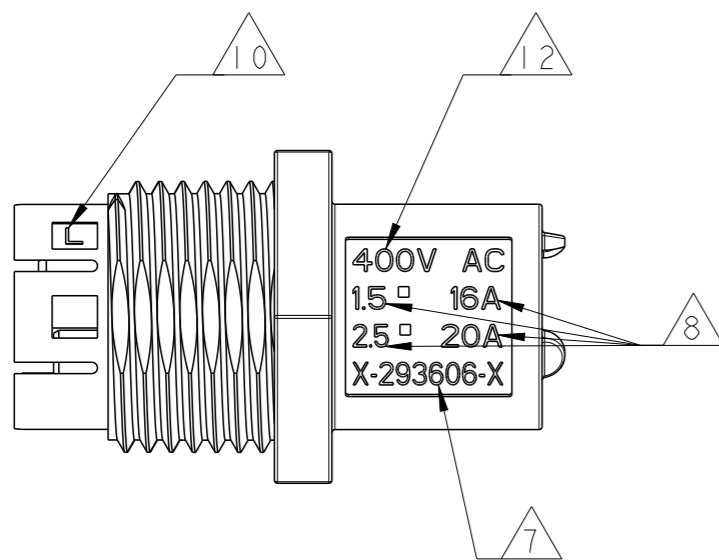
LOC	DIST
1	-

REVISIONS					
P	LTR	DESCRIPTION	DATE	DWN	APVD
B		PARTS -1 AND 1-1 RELEASED FOR PRODUCTION	12SEP2011	MZ	GT
B1		REVISED MARKINGS	06NOV2012	MZ	JC
B2		PARTS -2, -3, 1-2, 1-3	26JUN2013	KR	JC
B3		ECR-15-010109	21JUL2015	RS	PO

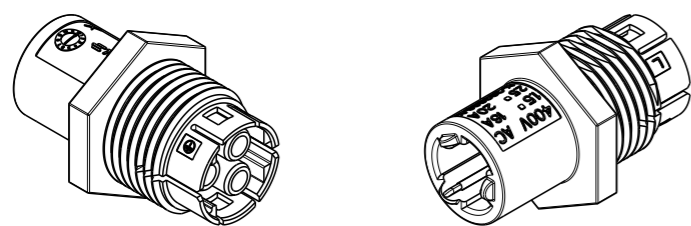


NOTES:

- 1 MATERIAL: POLYAMIDE GLASS FILLED COLOUR NATURAL
- 2 MATERIAL: POLYAMIDE GLASS FILLED COLOUR BLACK
- 3) PACKAGING: SEE TE PACKAGING SPEC. 107-20294
- 4 AREA FOR AGENCY APPROVAL LOGO
- 5 CAVITY MOULD I.D. & MANUFACTURING LOCATION CODE
- 6 TE LOGO
- 7 TE PART NUMBER
- 8 CONDUCTOR SIZE AND CURRENT RATING
- 9 N CODE
- 10 L CODE
- 11 PE CODE
- 12 RATED VOLTAGE
- 13 DATE CODE
- 14 PART NOT YET TOOLED AND NOT RELEASED FOR PRODUCTION



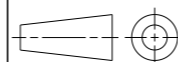
3D VIEWS, FOR REFERENCE ONLY



SCALE 1:1

THIS DRAWING IS A CONTROLLED DOCUMENT.

DIMENSIONS: mm



TOLERANCES UNLESS OTHERWISE SPECIFIED:

- 0 PLC ±-
- 1 PLC ±0.3
- 2 PLC ±0.20
- 3 PLC ±-
- 4 PLC ANGLES ±3°

MATERIAL SEE NOTES

FINISH -

DWN M. ZUCCA 06SEP2010

CHK M. ZUCCA 06SEP2010

APVD G. TURCO 06SEP2010

PRODUCT SPEC

108-20304

APPLICATION SPEC

114-20152

WEIGHT ~5.9 g

STE TE Connectivity

NAME
 SOCKET HOUSING
 PANEL MOUNT VERSION
 NECTOR* M-LINE

SIZE	CAGE CODE	DRAWING NO	RESTRICTED TO
A3	00779	C-293606	-

Customer Drawing SCALE 2:1 SHEET 1 OF 4 REV B3

THIS DRAWING IS UNPUBLISHED.

RELEASED FOR PUBLICATION

2011

© COPYRIGHT 2011 BY -

ALL RIGHTS RESERVED.

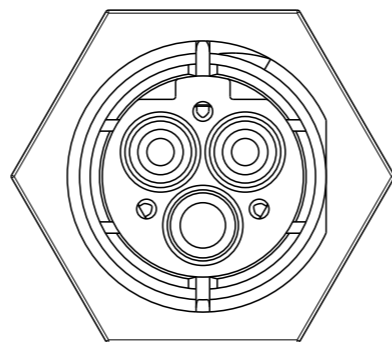
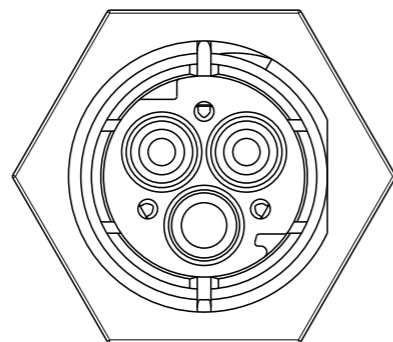
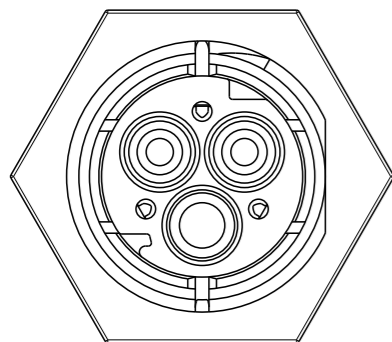
LOC	DIST	REVISIONS			
P	LTR	DESCRIPTION	DATE	DWN	APVD
	-	SEE SHEET 1	-	-	-

POLARIZATION TYPES

TYPE "A"

TYPE "B"

TYPE "C"



P/Ns: 0-293606-1,
1-293606-1

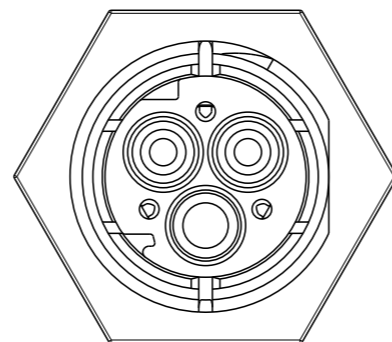
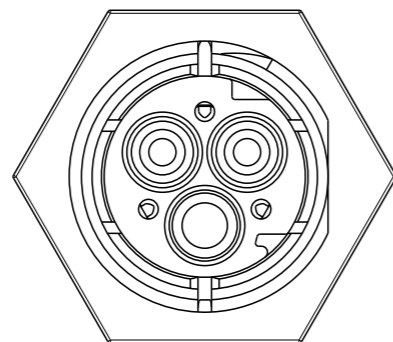
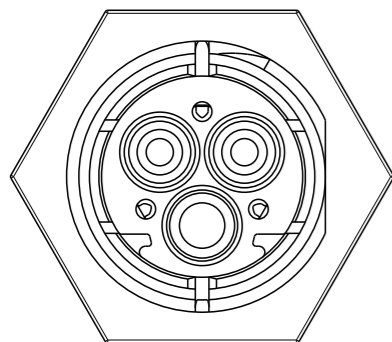
P/Ns: 0-293606-2,
1-293606-2

P/Ns: 0-293606-3,
1-293606-3

TYPE "D"

TYPE "E"

TYPE "F"


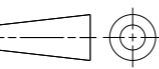



P/Ns: 0-293606-4,
1-293606-4,

P/Ns: 0-293606-5,
1-293606-5

P/Ns: 0-293606-6,
1-293606-6

NOTE	MATERIAL	POL. KEYING	COLOUR	DESCRIPTION	REV.	PART NUMBER
14	2	F	BLACK	SOCKET HOUSING PANEL MOUNT VERS. NECTOR* M-LINE	A	1-293606-6
14	2	E	BLACK	SOCKET HOUSING PANEL MOUNT VERS. NECTOR* M-LINE	A	1-293606-5
14	2	D	BLACK	SOCKET HOUSING PANEL MOUNT VERS. NECTOR* M-LINE	A	1-293606-4
	2	C	BLACK	SOCKET HOUSING PANEL MOUNT VERS. NECTOR* M-LINE	B	1-293606-3
	2	B	BLACK	SOCKET HOUSING PANEL MOUNT VERS. NECTOR* M-LINE	B	1-293606-2
	2	A	BLACK	SOCKET HOUSING PANEL MOUNT VERS. NECTOR* M-LINE	B	1-293606-1
14	1	F	NATURAL	SOCKET HOUSING PANEL MOUNT VERS. NECTOR* M-LINE	A	0-293606-6
14	1	E	NATURAL	SOCKET HOUSING PANEL MOUNT VERS. NECTOR* M-LINE	A	0-293606-5
14	1	D	NATURAL	SOCKET HOUSING PANEL MOUNT VERS. NECTOR* M-LINE	A	0-293606-4
	1	C	NATURAL	SOCKET HOUSING PANEL MOUNT VERS. NECTOR* M-LINE	B	0-293606-3
	1	B	NATURAL	SOCKET HOUSING PANEL MOUNT VERS. NECTOR* M-LINE	B	0-293606-2
	1	A	NATURAL	SOCKET HOUSING PANEL MOUNT VERS. NECTOR* M-LINE	B	0-293606-1

THIS DRAWING IS A CONTROLLED DOCUMENT.		DWN M. ZUCCA 06SEP2010	 TE Connectivity	
DIMENSIONS: mm		CHK M. ZUCCA 06SEP2010		
TOLERANCES UNLESS OTHERWISE SPECIFIED:		APVD G. TURCO 06SEP2010	NAME SOCKET HOUSING PANEL MOUNT VERSION NECTOR* M-LINE	
		PRODUCT SPEC 108-20304	SIZE A300779	
		APPLICATION SPEC 114-20152	CAGE CODE C-293606	
MATERIAL SEE NOTES		WEIGHT ~5.9 g	DRAWING NO C-293606	
		Customer Drawing	RESTRICTED TO -	
		SCALE 2:1	SHEET 2 OF 4	
			REV B3	

THIS DRAWING IS UNPUBLISHED.

RELEASED FOR PUBLICATION

2011

© COPYRIGHT 2011 BY -

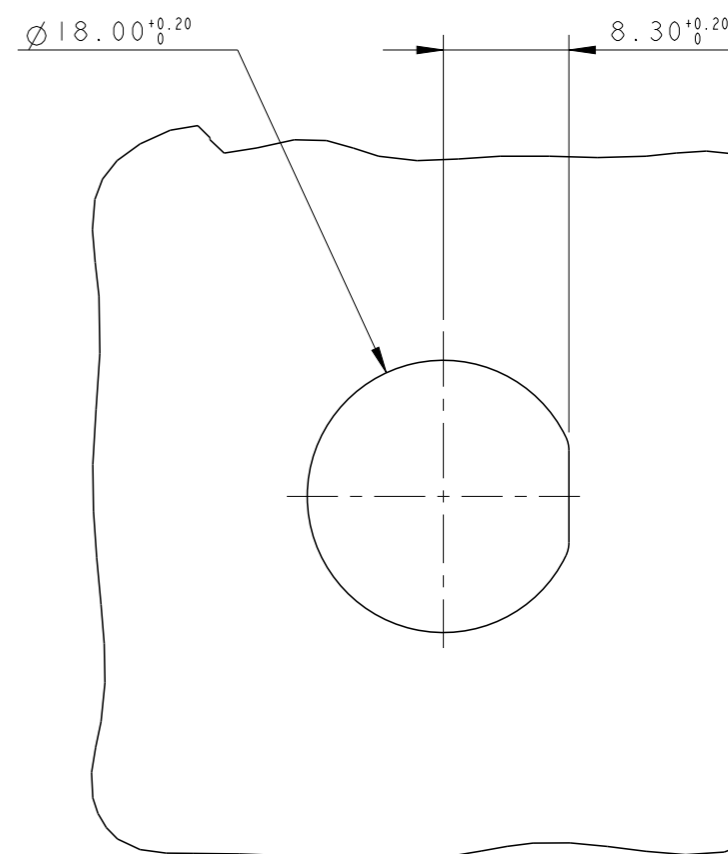
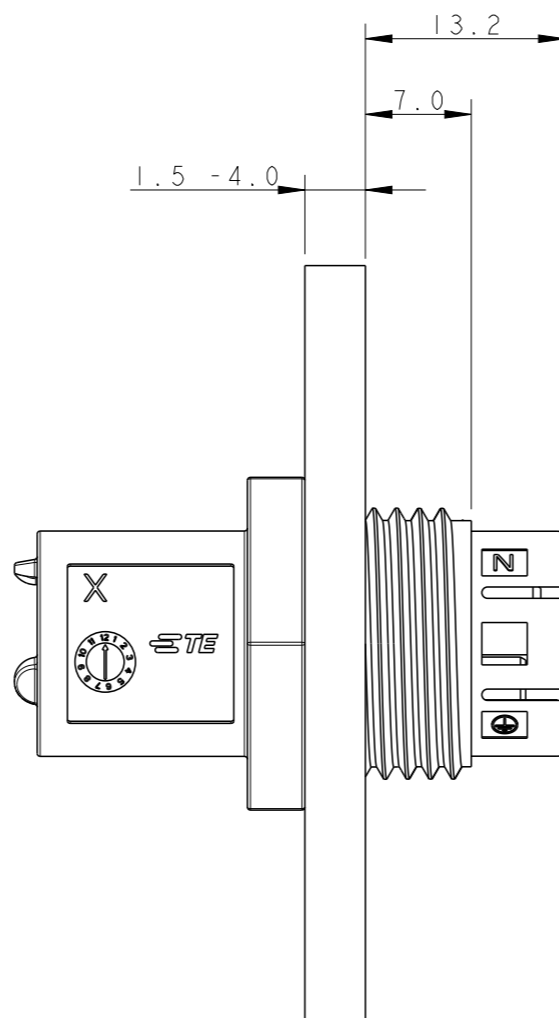
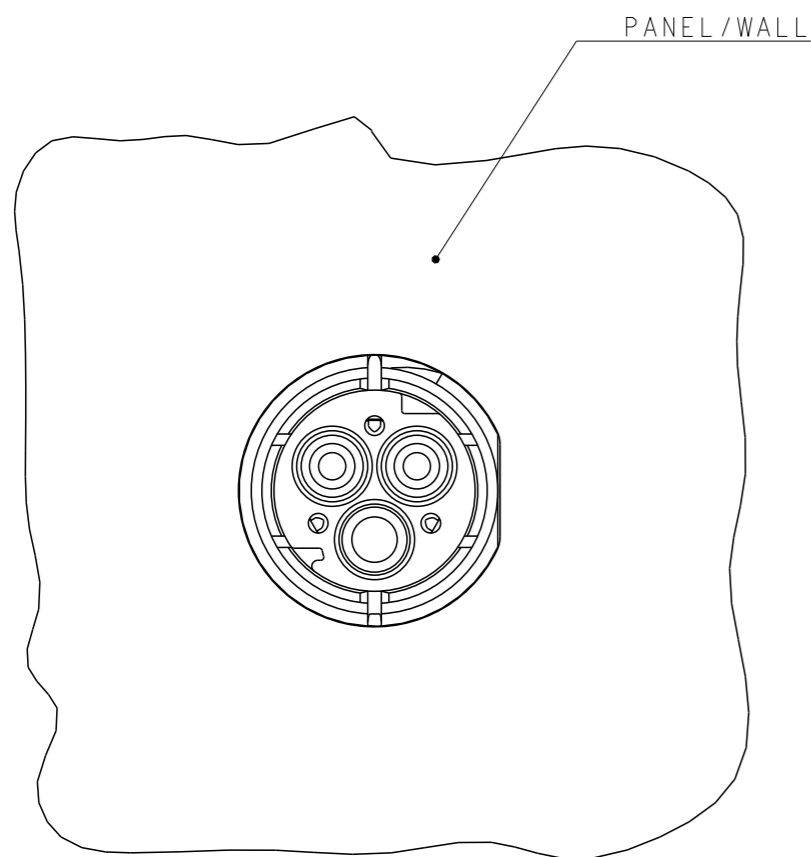
ALL RIGHTS RESERVED.

LOC 1
DIST -

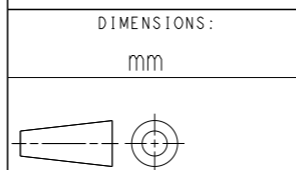
REVISIONS

P	LTR	DESCRIPTION	DATE	DWN	APVD
-	-	SEE SHEET 1	-	-	-

PANEL / WALL
SUGGESTED CUT OUT




THIS DRAWING IS A CONTROLLED DOCUMENT.



MATERIAL SEE NOTES

DIMENSIONS:		TOLERANCES UNLESS OTHERWISE SPECIFIED:	
mm			
0 PLC	±-		
1 PLC	±0.3		
2 PLC	±0.20		
3 PLC	±-		
4 PLC	±-		
ANGLES	±3°		
FINISH	-		

DWN	M. ZUCCA	06SEP2010
CHK	M. ZUCCA	06SEP2010
APVD	G. TURCO	06SEP2010
PRODUCT SPEC	108-20304	
APPLICATION SPEC	114-20152	
WEIGHT	~5.9 g	

 TE Connectivity		NAME		RESTRICTED TO
		SOCKET HOUSING PANEL MOUNT VERSION NECTOR* M-LINE		
SIZE	CAGE CODE	DRAWING NO		
A3	00779	C-293606		

Customer Drawing	SCALE 2:1	SHEET 3 OF 4	REV B3
------------------	-----------	--------------	--------

THIS DRAWING IS UNPUBLISHED.

RELEASED FOR PUBLICATION

2011

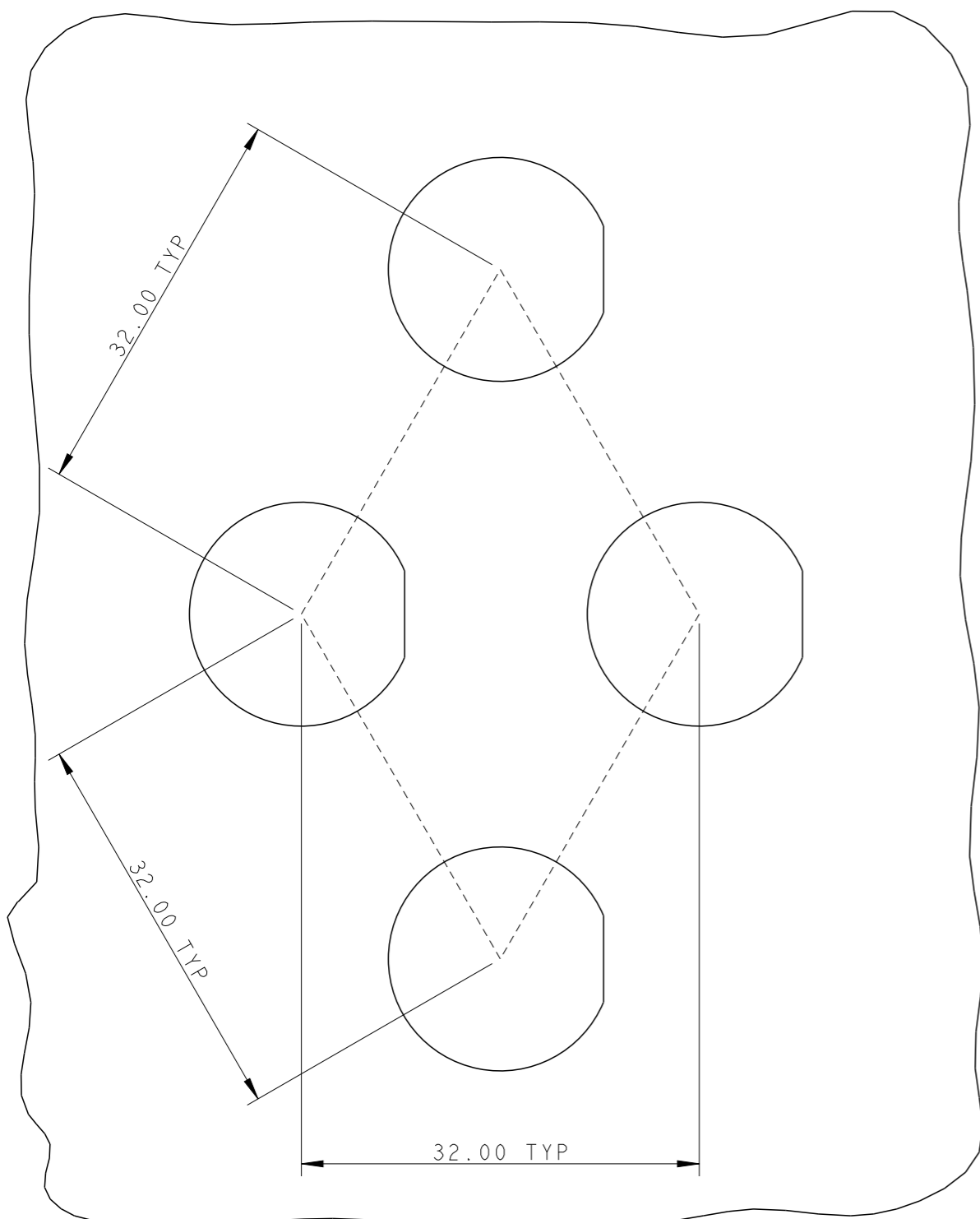
© COPYRIGHT 2011 BY -

ALL RIGHTS RESERVED.

LOC	DIST	REVISIONS			
P	LTR	DESCRIPTION	DATE	DWN	APVD
	-	SEE SHEET 1	-	-	-

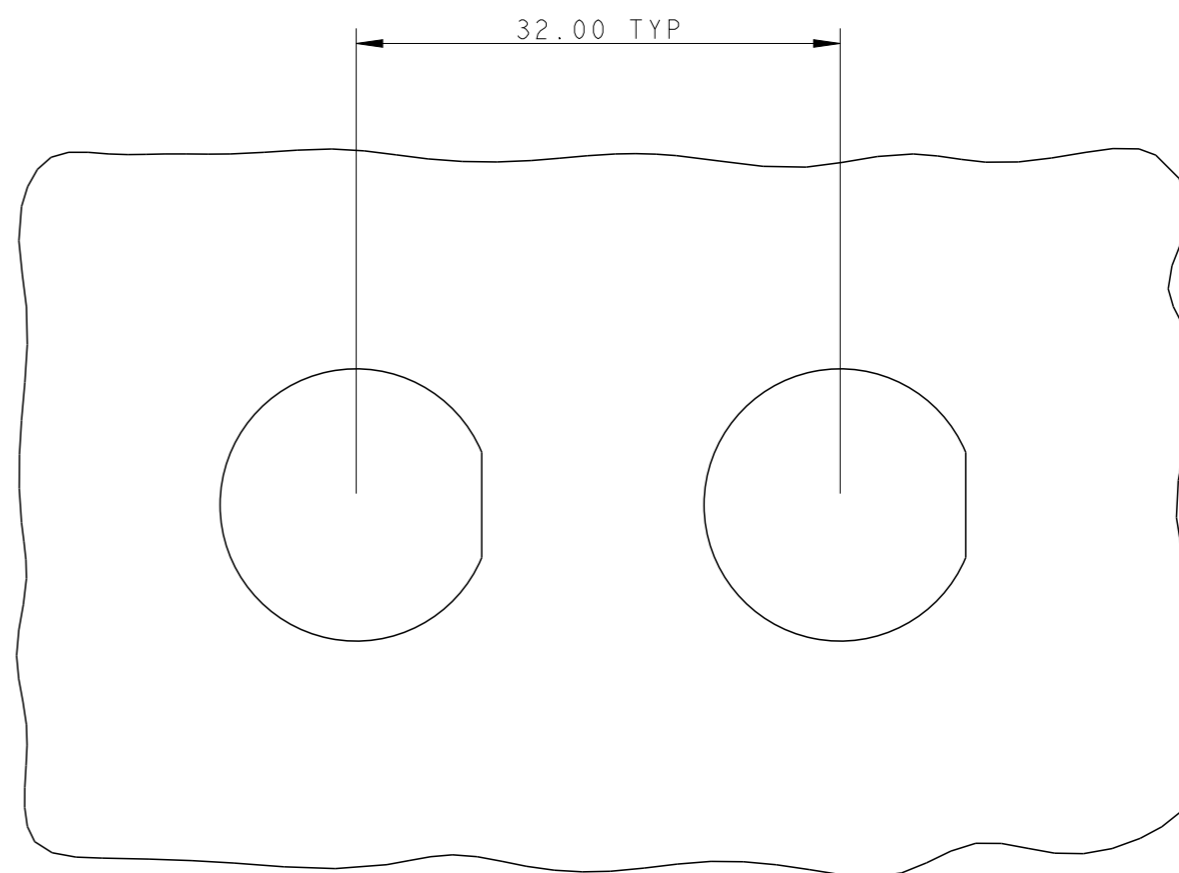
PANEL / WALL
SUGGESTED CUT OUT FOR
MULTIPLE HOLES ON MULTIPLE ROWS


(PITCH CAN BE ADJUSTED TO CUSTOMER
 NEED BUT IN ANY CASE MUST NOT BE LESS
 THAN 30.00 mm)



PANEL / WALL
SUGGESTED CUT OUT FOR
MULTIPLE HOLES ON SINGLE ROW

(PITCH CAN BE ADJUSTED TO CUSTOMER
 NEED BUT IN ANY CASE MUST NOT BE LESS
 THAN 30.00 mm)



THIS DRAWING IS A CONTROLLED DOCUMENT.		DWN M. ZUCCA	06SEP2010	 TE Connectivity	
DIMENSIONS: mm		CHK M. ZUCCA	06SEP2010		
TOLERANCES UNLESS OTHERWISE SPECIFIED:		APVD G. TURCO	06SEP2010		
0 PLC ± 1 PLC ±0.3 2 PLC ±0.20 3 PLC ± 4 PLC ± ANGLES ±3°		PRODUCT SPEC 108-20304	NAME SOCKET HOUSING PANEL MOUNT VERSION NECTOR* M-LINE		
MATERIAL SEE NOTES		FINISH	-	APPLICATION SPEC 114-20152	RESTRICTED TO
		WEIGHT	~5.9 g	SIZE	A3
		Customer Drawing		CAGE CODE	00779
				DRAWING NO	C-293606
				SCALE	2:1
				SHEET	4 OF 4
				REV	B3