



Chipsmall Limited consists of a professional team with an average of over 10 year of expertise in the distribution of electronic components. Based in Hongkong, we have already established firm and mutual-benefit business relationships with customers from,Europe,America and south Asia,supplying obsolete and hard-to-find components to meet their specific needs.

With the principle of “Quality Parts,Customers Priority,Honest Operation,and Considerate Service”,our business mainly focus on the distribution of electronic components. Line cards we deal with include Microchip,ALPS,ROHM,Xilinx,Pulse,ON,Everlight and Freescale. Main products comprise IC,Modules,Potentiometer,IC Socket,Relay,Connector.Our parts cover such applications as commercial,industrial, and automotives areas.

We are looking forward to setting up business relationship with you and hope to provide you with the best service and solution. Let us make a better world for our industry!



## Contact us

Tel: +86-755-8981 8866 Fax: +86-755-8427 6832

Email & Skype: info@chipsmall.com Web: www.chipsmall.com

Address: A1208, Overseas Decoration Building, #122 Zhenhua RD., Futian, Shenzhen, China



## RAFIX 16 - Keylock switch, square collar, alignable without gaps, latching

### 1.30.076.191/0000



Only use contact blocks with momentary function.

Other lock variants available on request.

Included: 2 keys on ring.

#### General information

Form of collar	square alignable
----------------	------------------

#### Dimensions

Collar dimensions	24.95 x 24.95 mm
Collar dimensions	24.95 x 24.95 mm
Overall height	27.95 mm
Mounting depth	44.7 mm
Mounting hole	16.2 mm
Key grid	25 x 25 mm

#### Mechanical design

Mounting	ring nut
Contact function	latching
Contact arrangement	according to contact block
Illumination	no
Lock	Micromec
Wafers	5
Lock type	001
Number of locking positions	500
Main key	on request
Rotating angle	1 x 90°, form V
Key removal position	0+1

#### Mechanical characteristics

Torque max.	1.3 Nm
-------------	--------

#### Electrical characteristics

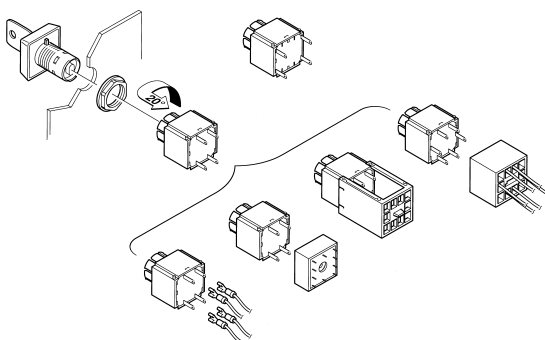
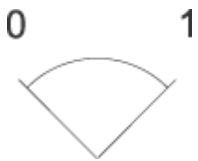
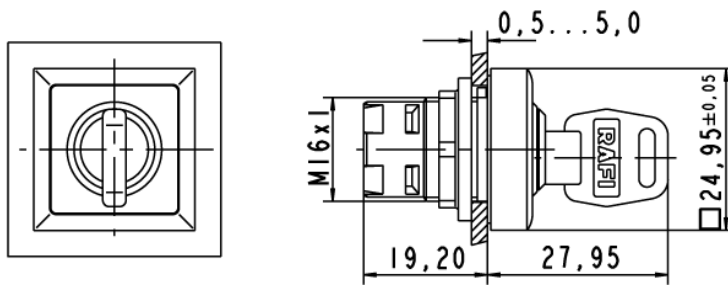
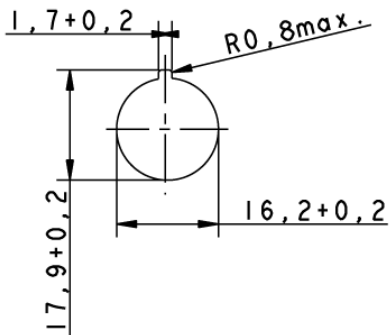
Protection class	II
------------------	----

#### Other specifications

ESD-strength lock / contact	15 kV
ESD strength key/ front panel	8 kV
Operating life (operations)	65,000 cycle
Degree of protection from front side	IP65 (DIN EN 60529)

Operation temperature min.	-25 °C
Ambient temp. operating max. without lamp / LED	+70 °C
Storage temperature min.	-40 °C
Storage temperature max.	+85 °C
Environmental resistance	acc. to IEC 60068-2-14, -30, -33 and -78
ROHS compliant	yes
REACH compliant	yes

Panel cut-out



Technical data are approximate and intended solely for general orientation in the selection of a product. Subject to modifications and errors. Images and other graphics may only be similar. For more information, refer to [www.rafi.de](http://www.rafi.de) chapter Imprint / Data Protection.