



Chipsmall Limited consists of a professional team with an average of over 10 year of expertise in the distribution of electronic components. Based in Hongkong, we have already established firm and mutual-benefit business relationships with customers from,Europe,America and south Asia,supplying obsolete and hard-to-find components to meet their specific needs.

With the principle of “Quality Parts,Customers Priority,Honest Operation,and Considerate Service”,our business mainly focus on the distribution of electronic components. Line cards we deal with include Microchip,ALPS,ROHM,Xilinx,Pulse,ON,Everlight and Freescale. Main products comprise IC,Modules,Potentiometer,IC Socket,Relay,Connector.Our parts cover such applications as commercial,industrial, and automotives areas.

We are looking forward to setting up business relationship with you and hope to provide you with the best service and solution. Let us make a better world for our industry!



Contact us

Tel: +86-755-8981 8866 Fax: +86-755-8427 6832

Email & Skype: info@chipsmall.com Web: www.chipsmall.com

Address: A1208, Overseas Decoration Building, #122 Zhenhua RD., Futian, Shenzhen, China



CONTROL COMPONENTS

RAFIX 22 QR

Control Components RAFIX 22 QR



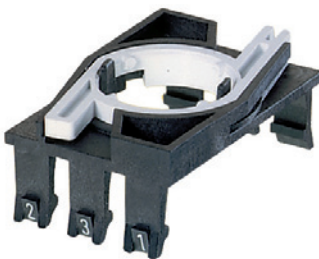
Contact blocks marked with different colors for ease of identification in stock and when connecting.

- NC contacts: red cover
- NO contacts: green cover
- NC/NO contacts: one cover red, one cover green
- Lamp socket: black
- Silver contacts: basic housing color is black
- Gold contacts: basic housing color is grey
- The terminals associated with a contact pair are color coded on the connection side and marked with the respective contact numbers:
1, 2 = NC
3, 4 = NO

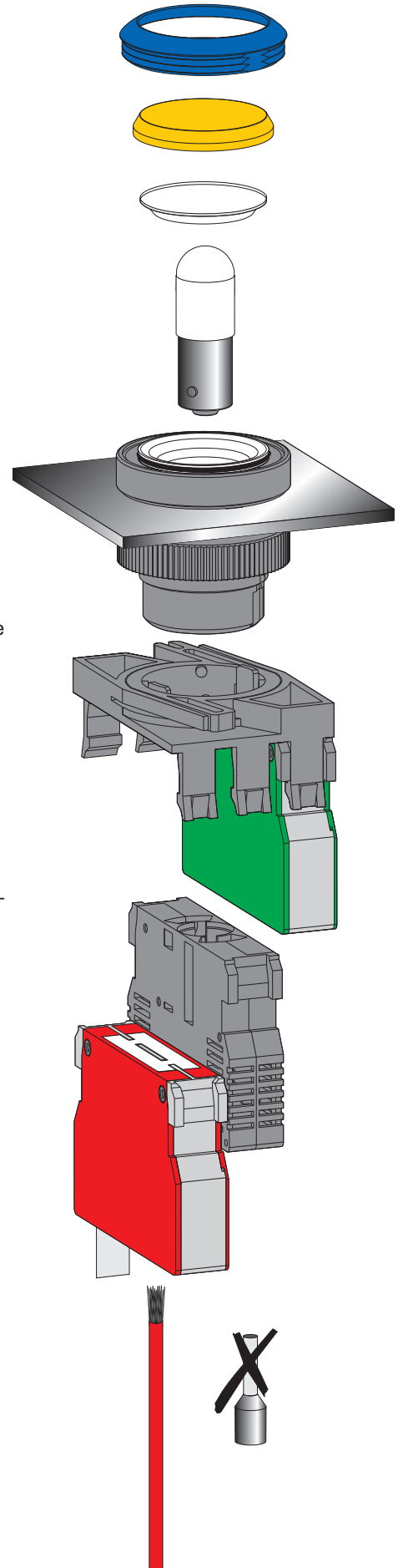
The lamps of pushbuttons and signal lamps can be replaced from the front. This method saves time and increases safety since it eliminates the need for accessing the machine/control station interior and handling live cables for lamp replacement. After unscrewing the front ring, the lens can be removed and the lamp replaced.



The components feature a removable locating lug. If installed without locating lug, the ring nut with claw can be used. Accurate alignment of the actuator can be achieved behind the front panel. The cast-on collar seal can not get lost nor be twisted during installation and allows single-person assembly: the actuator is held in the mounting hole by the cast-on seal and can then be fixed by screwing from the rear.



First, snap the lamp socket and contact blocks into the coupling. Then snap the assembly on to the actuator. To release it, the bayonet must be pressed (prevents inadvertent releasing at the same time)



2

RAFIX
22 QR

Terminals

The RAFIX 22 QR contact blocks are available in different connection styles as required for your application:

- **Screw terminals**

The terminals are open and the captive screws are mounted in the terminal recess.

- **Quick connect/solder terminals 6.3 x 0.8 mm**

- **Spring-type terminals**

Simply insert a screwdriver to open the terminal, insert the cable and remove the screwdriver to close the terminal.

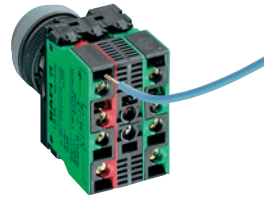
Your advantage:

This offers your savings in three ways:

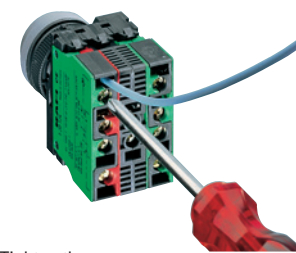
- Drastically reduced assembly time thanks to wire insertion from the rear, i. e. no more bending and lateral insertion of the wires required.
- You save material: No wire end sleeves are required.
- You save the time previously required for mounting the wire end sleeves.

Assembly

Screw terminals



Insert the wire



Tighten the screw



Done

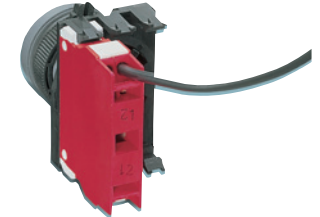
Spring-type terminals



Open the terminal



Insert the wire



Remove the screwdriver

2

RAFIX
22 QR

Versatility of design for customized panels



The RAFIX 22 QR system does not only have a particularly low profile and is also available in many different versions. Your design options for your customized panels are nearly unlimited thanks to the interchangeable front rings and lenses.

In this way you can achieve an attractive design while ensuring safe operation of your equipment at the same time. RAFIX 22 QR components are available either with a round or with a square collar.

CONTROL COMPONENTS

RAFIX 22 QR

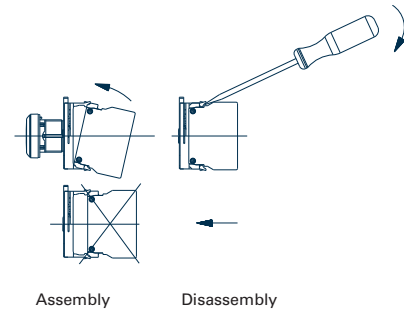
The RAFIX 22 QR control component range meets all the technical requirements and current standards for control units. The system is of modular design. Actuators, contact blocks and lamp sockets can be combined freely.



2

Sequence of assembly/disassembly

- Fix the actuator in the front panel with the ring nut.
- Snap the individual elements (maximum two contact blocks together with a lamp socket) in the coupling. You can install them on any assembling axis.
- Insert the lamp or LED into the lamp socket or snap the LED unit.
- Snap the coupling with the contact blocks on to the actuator.
- Connect the cables.
- Disassembly is performed in reverse order. To remove the coupling from the actuator, the latch lever must be pressed (by hand or with a screwdriver).

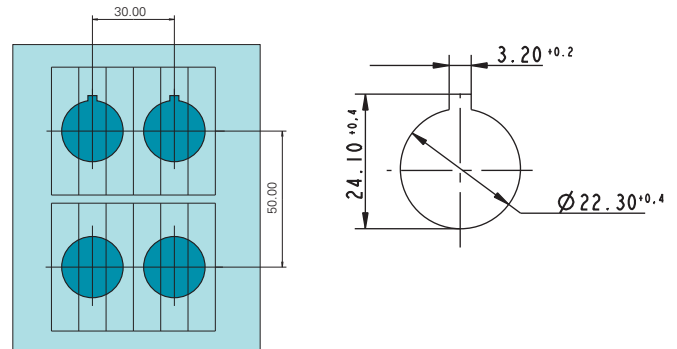


RAFIX
22 QR

Panel cut-out according to IEC 60947-5-1

All actuators are provided with a locating lug which may be removed using a screwdriver for installation into mounting holes if required.

With a grid spacing of 30 mm horizontally and 50 mm vertically, the collars of the square actuators touch each other. We recommend to use the same grid spacing also for the round collar shapes (IEC 60947-5-1)



Dimensional drawing

