



Chipsmall Limited consists of a professional team with an average of over 10 year of expertise in the distribution of electronic components. Based in Hongkong, we have already established firm and mutual-benefit business relationships with customers from,Europe,America and south Asia,supplying obsolete and hard-to-find components to meet their specific needs.

With the principle of “Quality Parts,Customers Priority,Honest Operation,and Considerate Service”,our business mainly focus on the distribution of electronic components. Line cards we deal with include Microchip,ALPS,ROHM,Xilinx,Pulse,ON,Everlight and Freescale. Main products comprise IC,Modules,Potentiometer,IC Socket,Relay,Connector.Our parts cover such applications as commercial,industrial, and automotives areas.

We are looking forward to setting up business relationship with you and hope to provide you with the best service and solution. Let us make a better world for our industry!



Contact us

Tel: +86-755-8981 8866 Fax: +86-755-8427 6832

Email & Skype: info@chipsmall.com Web: www.chipsmall.com

Address: A1208, Overseas Decoration Building, #122 Zhenhua RD., Futian, Shenzhen, China



Data Sheet 1.30.259

USB Feedthrough RAFIX 22 FS

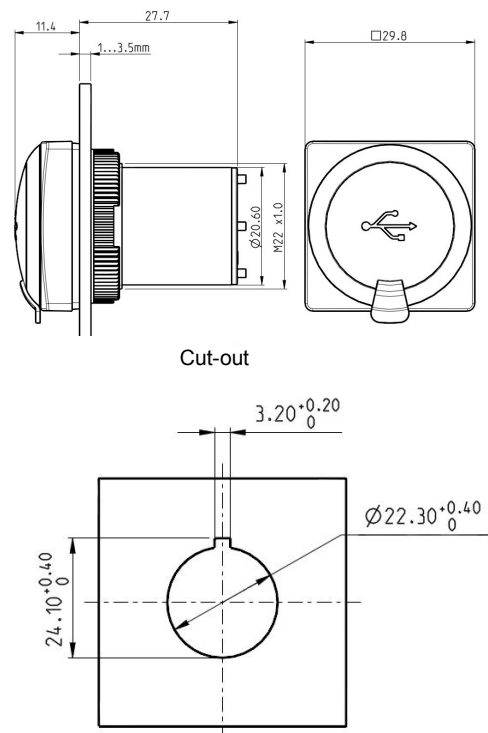
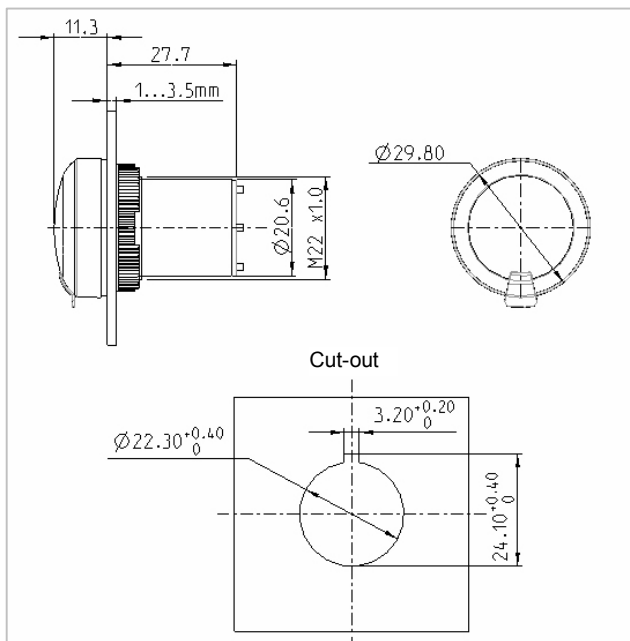


Rugged USB feedthroughs for 22.3 mm mounting hole diameter matching the RAFIX 22 FS and RAFIX 22 QR actuator series.

The USB feedthrough provides sturdy installation of an easily accessible USB slot in front panels of controllers and IPCs and can be used, for example, to connect a keyboard for maintenance purposes or a USB stick for a software update. The port on the rear accommodates commercially available USB cables of varying lengths with B-type connector.

A sealing cap protects the slot and ensures a degree of protection to IP 65. For assembly, simply insert the feedthrough from the front side into the mounting hole and fasten it by means of a ring nut from the rear. The depth behind panel is 27.7 mm. The colour of the front ring can be freely selected so that the USB feedthrough can be matched in appearance to the customer-specific design.

Mounting dimensions



Data Sheet 1.30.259

USB Feedthrough RAFIX 22 FS

Preliminary specifications

Max. operating temperature:	+70 °C
Min. operating temperature:	-25 °C
Max. storage temperature:	+80 °C
Min. storage temperature:	-40 °C
Relative humidity:	5 to 95% (non-condensing)
IP protection (front):	IP 65 (with sealing cap closed)
Shock resistance to IEC 60068-2-27 (EN 61131-2):	50 g at 11 ms amplitude, half sinusoidal
Vibration resistance to IEC 600 68-2-6 (EN61131-2):	5 g at 10...500 Hz
Environmental resistance:	acc. to IEC 60068-2-14 and -30
Operating life:	1.500 plugging cycles
Approvals:	UL 508

Order numbers



Collar shape	Front ring	Order no.
Round	Plastic slate grey	1.30.259.001/0707
Round	Chromium-plated	1.30.259.021/0700
Square	Plastic slate grey	1.30.259.051/0707
Square	Chromium-plated	1.30.259.071/0700

Rev.: 08/06/2011

Preliminary technical data, subject to modification.

3D data in step or igs format available on request.

RAFI GmbH & Co. KG
Ravensburger Str. 128-134, D-88276 Berg/Ravensburg, Germany
Tel.: +49 751 89-0, Fax: +49 751 89-1300
www.rafi.de, info@rafi.de