



Chipsmall Limited consists of a professional team with an average of over 10 year of expertise in the distribution of electronic components. Based in Hongkong, we have already established firm and mutual-benefit business relationships with customers from,Europe,America and south Asia,supplying obsolete and hard-to-find components to meet their specific needs.

With the principle of "Quality Parts,Customers Priority,Honest Operation,and Considerate Service",our business mainly focus on the distribution of electronic components. Line cards we deal with include Microchip,ALPS,ROHM,Xilinx,Pulse,ON,Everlight and Freescale. Main products comprise IC,Modules,Potentiometer,IC Socket,Relay,Connector.Our parts cover such applications as commercial,industrial, and automotives areas.

We are looking forward to setting up business relationship with you and hope to provide you with the best service and solution. Let us make a better world for our industry!



Contact us

Tel: +86-755-8981 8866 Fax: +86-755-8427 6832

Email & Skype: info@chipsmall.com Web: www.chipsmall.com

Address: A1208, Overseas Decoration Building, #122 Zhenhua RD., Futian, Shenzhen, China



RAFIX 30 FS⁺

DESIGNED TO PERFECTION

RAFIX 30 FS⁺ stands out for all the benefits of the control component series RAFIX 22 FS⁺ plus extra flat lenses and a low overall height. On request, the pushbuttons in this series can be individually equipped with SMD LEDs or a MICON 5 tactile keyswitch for improved haptic perception. In short: The flat alternative for users with extremely high design standards.

SLIM

- Designs with PCB contact blocks feature a distance between the front panel and printed circuit board of only 15.8 mm.
- With QC contact blocks, only 33 mm of space is needed behind the front panel.

Combinable with all contact blocks and accessories with RAFIX FS technology

- PCB or QC contact blocks
- Gold contacts from 5 V or silver contacts up to 250 V
- Short-travel adapter enables short-travel actuation (0.5 mm switching travel) with perceptible key click
- Variable illumination, compatible with 3 mm THT LEDs / SMT LEDs or LED clip

The RAFIX 30 FS⁺ series has a variety of actuators and signal indicators

Pushbuttons

- Illuminable
- Optional FLEXLAB with exchangeable legend insert

Selector switches

- Rotating angle 40°, 60° or 90°
- Latching or momentary
- Illuminable

Keylock switches

- Rotating angle 40° or 90°
- Latching or momentary

Signal indicators

- Green, yellow, red, blue or white

USB grommet

- USB type A to USB type B
- With protective cap

Approvals

- IEC 60947-5-1/5
- UL
- CCC

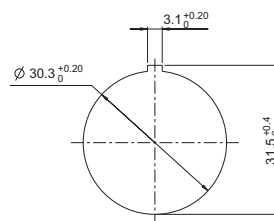


2

Mounting hole

The actuators in the RAFIX 30 FS⁺ series are designed for 30.3 mm mounting holes.

All actuators are equipped with a locating pip. This locating pip ensures a perfect fit for actuators and contact blocks with PCB-mounted components and is therefore essential for designs including these contact blocks.



RAFIX
30 FS⁺

Grid spacing

The design principle makes it possible to use a minimum grid spacing of 35 mm x 35 mm. When choosing the grid spacing, it is recommended to consider any external legending required (for example, using label strips inserted into the front panel).

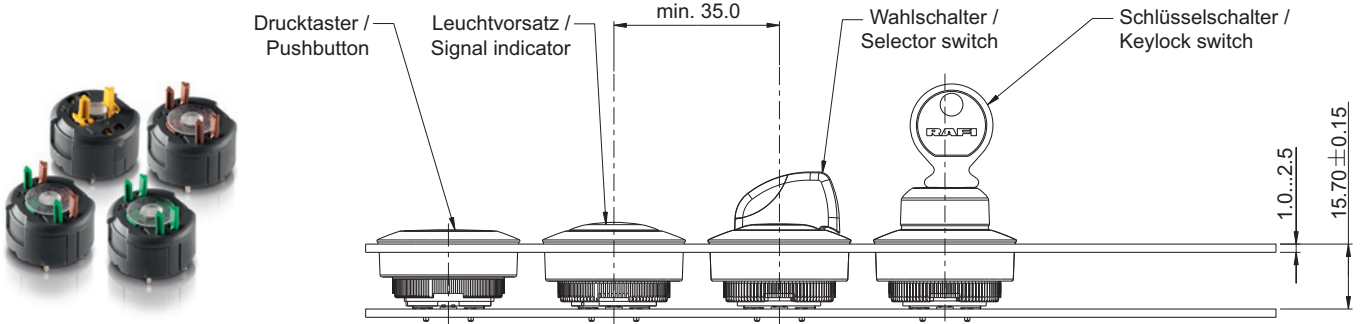


CONTROL COMPONENTS

RAFIX 30 FS⁺ CONTROL COMPONENTS

RAFIX 30 FS⁺

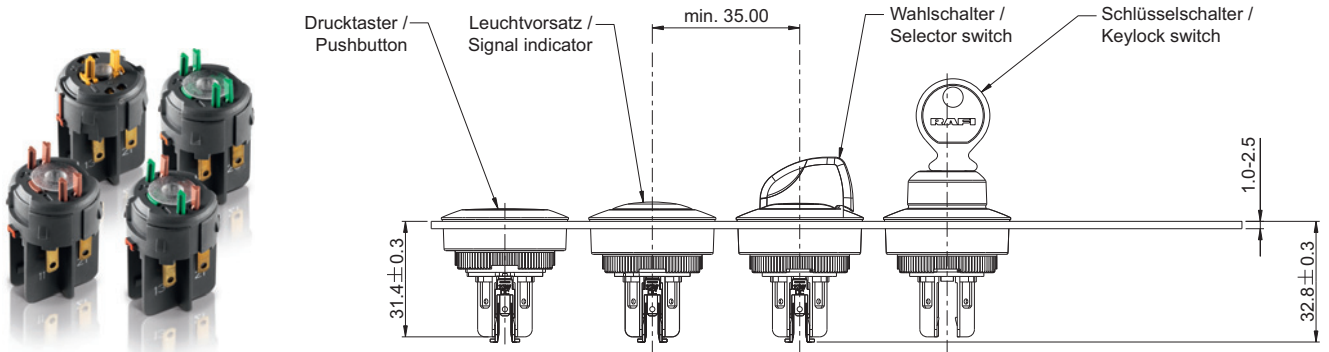
RAFIX 30 FS⁺ with PCB contact block



For printed circuit board hole patterns, see RAFIX 22 FS-Technology contact blocks

<p>Formula for spacer length</p> <p>15.8 mm</p> <p>- Front panel thickness</p> <hr/> <p>Length of spacer</p>
--

RAFIX 30 FS⁺ with QC contact block



2

RAFIX
30 FS⁺