



Chipsmall Limited consists of a professional team with an average of over 10 year of expertise in the distribution of electronic components. Based in Hongkong, we have already established firm and mutual-benefit business relationships with customers from,Europe,America and south Asia,supplying obsolete and hard-to-find components to meet their specific needs.

With the principle of “Quality Parts,Customers Priority,Honest Operation,and Considerate Service”,our business mainly focus on the distribution of electronic components. Line cards we deal with include Microchip,ALPS,ROHM,Xilinx,Pulse,ON,Everlight and Freescale. Main products comprise IC,Modules,Potentiometer,IC Socket,Relay,Connector.Our parts cover such applications as commercial,industrial, and automotives areas.

We are looking forward to setting up business relationship with you and hope to provide you with the best service and solution. Let us make a better world for our industry!



Contact us

Tel: +86-755-8981 8866 Fax: +86-755-8427 6832

Email & Skype: info@chipsmall.com Web: www.chipsmall.com

Address: A1208, Overseas Decoration Building, #122 Zhenhua RD., Futian, Shenzhen, China



THIS DRAWING IS UNPUBLISHED.

RELEASED FOR PUBLICATION

--

© COPYRIGHT BY TYCO ELECTRONICS CORPORATION.

ALL RIGHTS RESERVED.

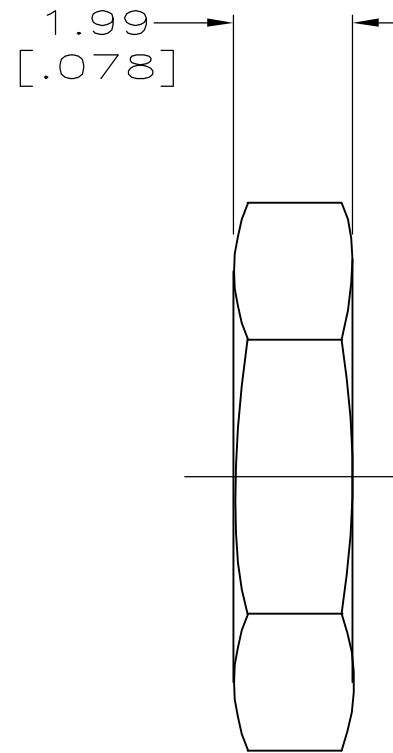
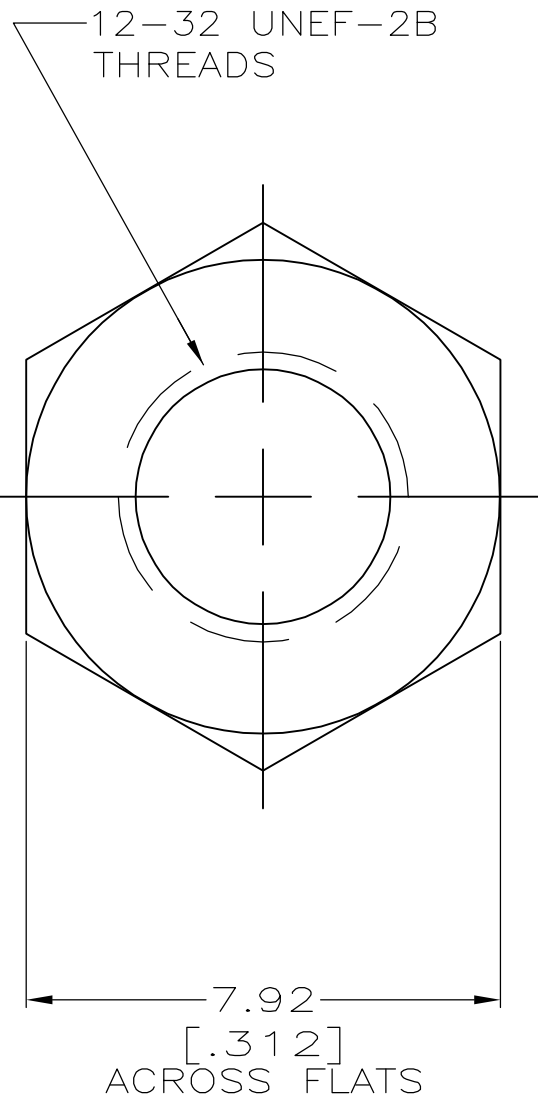
LOC
AJ

DIST
16

REVISIONS

P	LTR	DESCRIPTION	DATE	DWN	APVD
	D	REV PER ECO-06-003170	10MAR06	PY	WM

- ① BRASS PER QQ-B-626.
- ② STAINLESS STEEL PER ASTM-A-582.
- ③ SILVER PLATE PER QQ-S-365.
- ④ GOLD PLATE PER MIL-G-45204.
- ⑤ PASIVATION PER QQ-P-35.
- ⑥ SPECIAL PACKAGING; PACKAGED 250 PIECES PER BAG.



FINISH	MATERIAL	PART NUMBER
③	①	5-328690-0
④	②	1-328690-5
⑤	②	1-328690-3
④	②	1-328690-2
③	①	329680

THIS DRAWING IS A CONTROLLED DOCUMENT.		DWN B. MOYER 26MAR97	Tyco Electronics Corporation Harrisburg, Pa 17105-3608		
DIMENSIONS: mm		CHK J. CABARLO 26MAR97			
TOLERANCES UNLESS OTHERWISE SPECIFIED:		APVD J. CABARLO 26MAR97	NAME JAM NUT, MINIATURE THREADED SERIES		
0 PLC ± - 1 PLC ± - 2 PLC ± 0.38 [.015] 3 PLC ± - 4 PLC ± - ANGLES ± -		PRODUCT SPEC -			
MATERIAL ① - ②		FINISH ③ ④ - ⑤	APPLICATION SPEC -	RESTRICTED TO -	
-		WEIGHT -	SIZE A3	CAGE CODE 00779	DRAWING NO G-328690
CUSTOMER DRAWING			SCALE 8:1	SHEET 1 OF 1	REV D