



Chipsmall Limited consists of a professional team with an average of over 10 year of expertise in the distribution of electronic components. Based in Hongkong, we have already established firm and mutual-benefit business relationships with customers from,Europe,America and south Asia,supplying obsolete and hard-to-find components to meet their specific needs.

With the principle of “Quality Parts,Customers Priority,Honest Operation,and Considerate Service”,our business mainly focus on the distribution of electronic components. Line cards we deal with include Microchip,ALPS,ROHM,Xilinx,Pulse,ON,Everlight and Freescale. Main products comprise IC,Modules,Potentiometer,IC Socket,Relay,Connector.Our parts cover such applications as commercial,industrial, and automotives areas.

We are looking forward to setting up business relationship with you and hope to provide you with the best service and solution. Let us make a better world for our industry!



Contact us

Tel: +86-755-8981 8866 Fax: +86-755-8427 6832

Email & Skype: info@chipsmall.com Web: www.chipsmall.com

Address: A1208, Overseas Decoration Building, #122 Zhenhua RD., Futian, Shenzhen, China



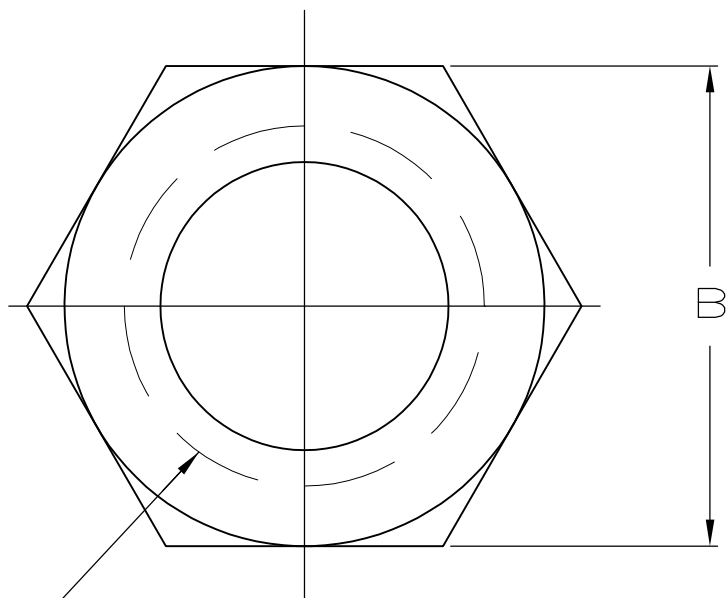
THIS DRAWING IS UNPUBLISHED.

RELEASED FOR PUBLICATION

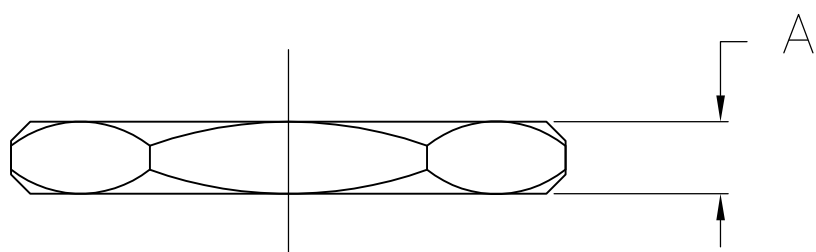
© COPYRIGHT - By -

ALL RIGHTS RESERVED.

LOC	DIST	REVISIONS					
AJ	16	P	LTR	DESCRIPTION	DATE	DWN	APVD
			H1	REVISED PER ECO-11-005030	23MAR11	RK	HMR



SEE TABLE FOR THREADS



- ① SILVER PL PER QQ-S-365, 2.54μm [.000100] MIN THICK.
- ② NICKEL PL PER QQ-N-290, 2.54μm [.000100] MIN THICK.
- ③ BRASS PER QQ-B-626
- ④ SEE SEPERATE RESTRICTED CUSTOMER DRAWING WITH THIS PART NUMBER.
- ⑤ BLACK NICKEL PLATE.

.433±.006	1.91 [.075]	3/8-24 UNEF-2B	②	2-330249-2
.496±.008	1.91 [.075]	3/8-24 UNEF-2B	⑤	1-330249-8
.496±.008	2.36 [.093]	3/8-32 UNEF-2B	②	1-330249-7
-	-	-	-	1-330249-5
.496±.008	1.91 [.075]	3/8-24 UNEF-2B	②	1-330249-4
.496±.008	3.18 [.125]	3/8-32 UNEF-2B	②	1-330249-1
.496±.008	3.18 [.125]	3/8-32 UNEF-2B	①	330249
B	A	THREADS	FINISH	PART NUMBER

THIS DRAWING IS A CONTROLLED DOCUMENT.		DWN M. SNEED 6-26-91	STE TE Connectivity		
DIMENSIONS: INCHES		CHK R. HENRY 6-26-91			
TOLERANCES UNLESS OTHERWISE SPECIFIED:		APVD -	NAME JAM NUT		
0 PLC ± -		PRODUCT SPEC -	SIZE A3		
1 PLC ± -		APPLICATION SPEC -	CAGE CODE 00779	DRAWING NO C-330249	RESTRICTED TO -
2 PLC ± -		WEIGHT -	SCALE 5:1		
3 PLC ± 0.41 [.016]		CUSTOMER DRAWING			
4 PLC ± -		SHEET 1 OF 1			
ANGLES ± -		REV H1			
MATERIAL ①		FINISH SEE TABLE			