



Chipsmall Limited consists of a professional team with an average of over 10 year of expertise in the distribution of electronic components. Based in Hongkong, we have already established firm and mutual-benefit business relationships with customers from,Europe,America and south Asia,supplying obsolete and hard-to-find components to meet their specific needs.

With the principle of “Quality Parts,Customers Priority,Honest Operation,and Considerate Service”,our business mainly focus on the distribution of electronic components. Line cards we deal with include Microchip,ALPS,ROHM,Xilinx,Pulse,ON,Everlight and Freescale. Main products comprise IC,Modules,Potentiometer,IC Socket,Relay,Connector.Our parts cover such applications as commercial,industrial, and automotives areas.

We are looking forward to setting up business relationship with you and hope to provide you with the best service and solution. Let us make a better world for our industry!



Contact us

Tel: +86-755-8981 8866 Fax: +86-755-8427 6832

Email & Skype: info@chipsmall.com Web: www.chipsmall.com

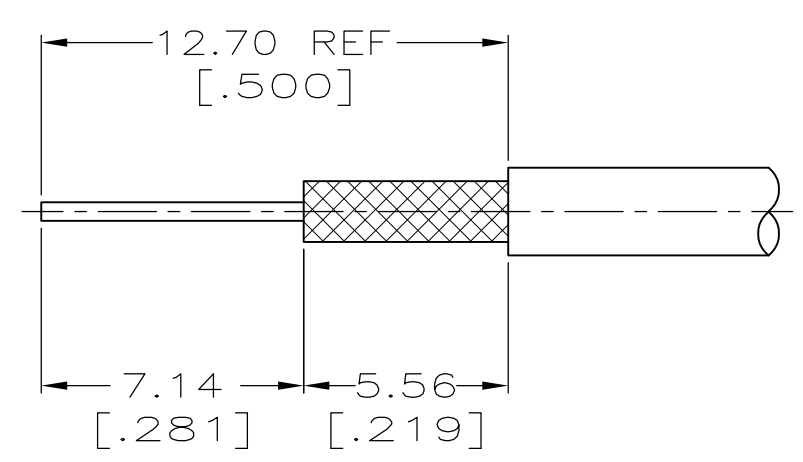
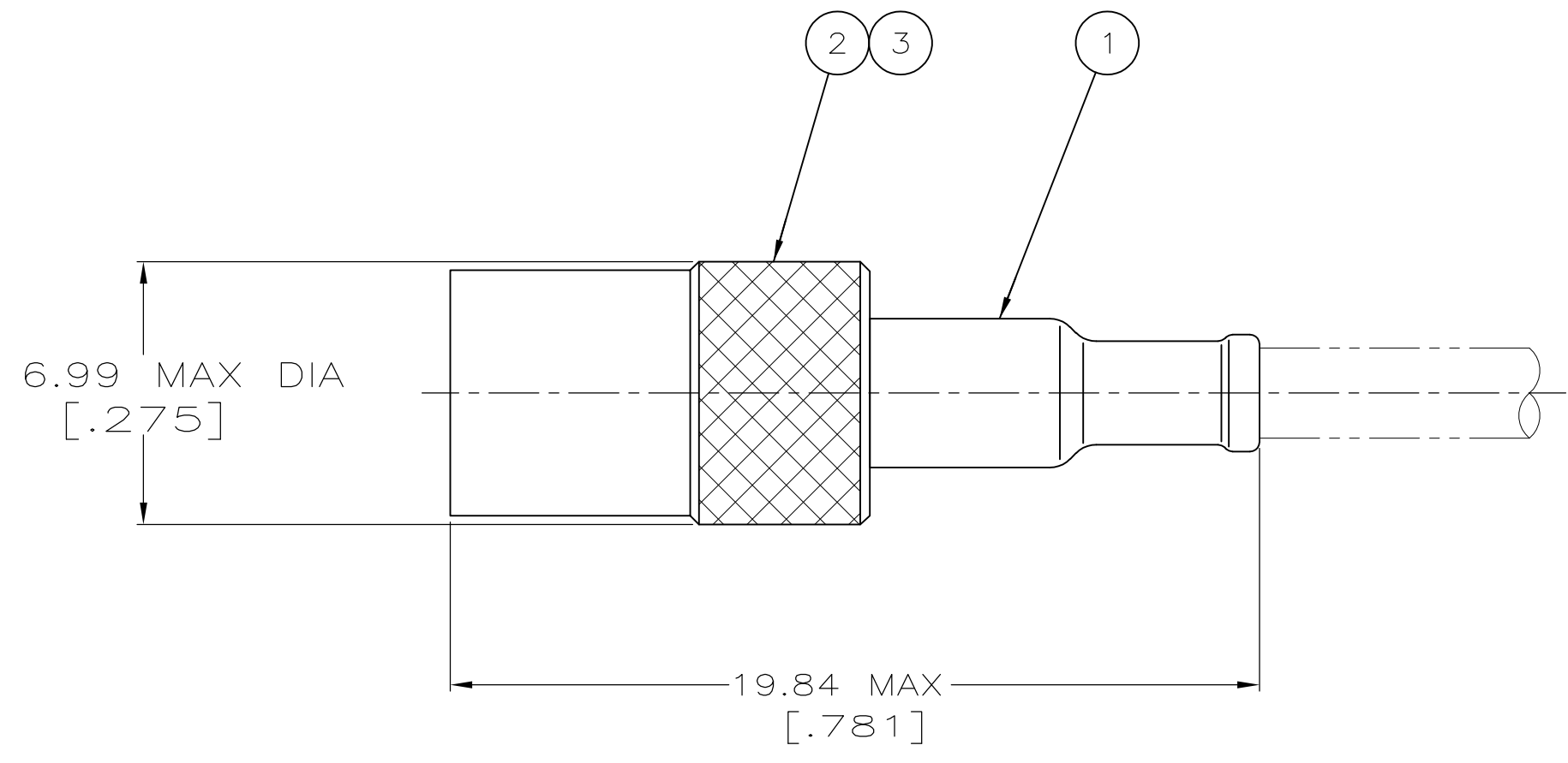
Address: A1208, Overseas Decoration Building, #122 Zhenhua RD., Futian, Shenzhen, China



THIS DRAWING IS UNPUBLISHED. RELEASED FOR PUBLICATION
 © COPYRIGHT 19 BY AMP INCORPORATED. ALL INTERNATIONAL RIGHTS RESERVED.

LOC	DIST	P	F	ZONE	LTR	DESCRIPTION	DATE	DWN	APPD
AJ	16	✓	✓		G	REDWN & OBS PN 330723 PER AJ-2431	06-20-91		BMW
					H	REV PER 0130-0161-92	03-22-93		BMW
					J	REVISED PER 0503-0017-96	10-3-96		JG
					K	REVISED PER 0503-0166-97	4-7-97		JG
					KI	REVISED PER ECO-09-021510	04SEP09	KK	AEG

1. PARTS PACKAGED UNASSEMBLED
2. CRIMP TOOL: 69143
3. SEE I.S. 1771
4. OBSOLETE PARTS: OBSOLETE CIS STREAMLINING PER D.RENAUD/D.SINISI



RECOMMENDED STRIP LENGTH

RG-180/U,180A/U & 195/U	330595-1	1-328695-3	3-329049-0	1-330723-2
RG-180/U,180A/U & 195/U	330595	1-328695-2	329049	1-330723-1
RG-180/U,180A/U & 195/U	330595	328695	329049	1-330723-0
CABLE SIZE	3 PLUG ASSY QTY=1	2 COLLAR, RETAINING QTY=1	1 FERRULE QTY=1	PART NUMBER

DO NOT SCALE PRINT. UNLESS SPECIFIED DIMENSIONS IN mm [INCHES] TOLERANCES ON : 2 PLC DEC ± 0.41 [0.16] 3 PLC DEC ± - ANGLES ± -		DR 6-20-91 B.WERNER		AMP AMP Incorporated Harrisburg, PA 17105-3608	
MATERIAL -		CHK 23/APR/93 G.MICHAEL		NAME PLUG, THREADED, MINIATURE SERIES	
FINISH -		APPD 23/APR/93 J.DAVIS		SIZE C 00779	
APPLICATION SPEC -		PRODUCT SPEC 108-12013		DRAWING NO 330723	
WEIGHT -		SCALE 5:1		SHEET 1 OF 1	