



Chipsmall Limited consists of a professional team with an average of over 10 year of expertise in the distribution of electronic components. Based in Hongkong, we have already established firm and mutual-benefit business relationships with customers from,Europe,America and south Asia,supplying obsolete and hard-to-find components to meet their specific needs.

With the principle of "Quality Parts,Customers Priority,Honest Operation,and Considerate Service",our business mainly focus on the distribution of electronic components. Line cards we deal with include Microchip,ALPS,ROHM,Xilinx,Pulse,ON,Everlight and Freescale. Main products comprise IC,Modules,Potentiometer,IC Socket,Relay,Connector.Our parts cover such applications as commercial,industrial, and automotives areas.

We are looking forward to setting up business relationship with you and hope to provide you with the best service and solution. Let us make a better world for our industry!



## Contact us

Tel: +86-755-8981 8866 Fax: +86-755-8427 6832

Email & Skype: info@chipsmall.com Web: www.chipsmall.com

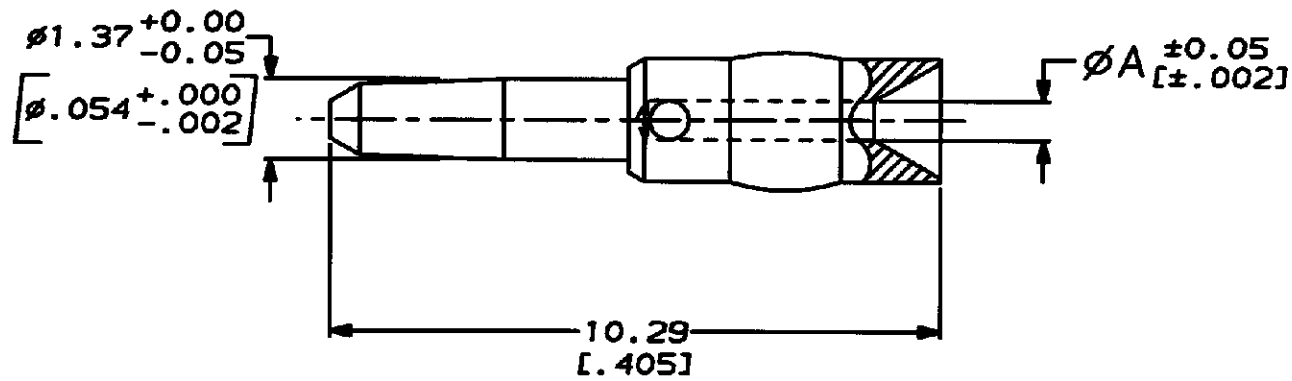
Address: A1208, Overseas Decoration Building, #122 Zhenhua RD., Futian, Shenzhen, China



4  
DRAWING MADE IN THIRD ANGLE PROJECTION  
THIS DRAWING IS UNPUBLISHED. RELEASED FOR PUBLICATION .19  
© COPYRIGHT 19 BY AMP INCORPORATED. ALL INTERNATIONAL RIGHTS RESERVED.

LOC	DIST	P	F	ZONE	LTR	DESCRIPTION	DATE	APPO
AJ	16							
		✓	✓		D	REDWN & ADD 1--6 & 1--7 PER AJ-4560	2-15-91	BAS
		✓	✓		E	REVISED PER EC 0130-0095-93	2-23-93	MEC

- ① BRASS PER QQ-B-626
- ② GOLD PLATE PER MIL-G-45204  
0.76µm [.000030] MINIMUM THICK
- ③ GOLD PLATE PER MIL-G-45204  
1.27µm [.000050] MINIMUM THICK
- ④ GOLD PLATE PER MIL-G-45204  
2.54µm [.000100] MINIMUM THICK
- ⑤ SILVER PLATE PER QQ-5-365  
2.54µm [.000100] MINIMUM THICK



1.09 [.043]	④	1-331357-7
0.99 [.039]	④	1-331357-6
0.99 [.039]	⑤	1-331357-5
1.09 [.043]	②	1-331357-4
0.99 [.039]	②	1-331357-3
1.09 [.043]	③	1-331357-2
0.99 [.039]	③	1-331357-0
A	FINISH	PART NUMBER

DO NOT SCALE PRINT. UNLESS SPECIFIED DIMENSIONS IN IN (INCHES) TOLERANCES ON:		AMP Incorporated Harrisburg, PA 17105-3608	
2 PLC DEC ± 0.13 (.005)	OR 2-15-91 B. SCOTT	NAME <b>CONTACT, PLUG, SERIES BNC</b>	
3 PLC DEC ± -	CHK 3-30-91 J. LIPPERT		
ANGLES ± -	APPO 4-3-91 N. PHILLIPS	SIZE	CAGE CODE
MATERIAL ①	APPO 4-3-91 J. LIPPERT	B	00779
FINISH SEE TABLE	PRODUCT SPEC -	SCALE	DRAWING NO
	APPLICATION SPEC -	10:1	331357
	WEIGHT -		SHEET 1 OF 1

AMP 1476-15 REV 11-88

<U5128C>DEPT1425>AMP29151>U.0095-93

CUSTOMER DRAWING