



Chipsmall Limited consists of a professional team with an average of over 10 year of expertise in the distribution of electronic components. Based in Hongkong, we have already established firm and mutual-benefit business relationships with customers from,Europe,America and south Asia,supplying obsolete and hard-to-find components to meet their specific needs.

With the principle of "Quality Parts,Customers Priority,Honest Operation,and Considerate Service",our business mainly focus on the distribution of electronic components. Line cards we deal with include Microchip,ALPS,ROHM,Xilinx,Pulse,ON,Everlight and Freescale. Main products comprise IC,Modules,Potentiometer,IC Socket,Relay,Connector.Our parts cover such applications as commercial,industrial, and automotives areas.

We are looking forward to setting up business relationship with you and hope to provide you with the best service and solution. Let us make a better world for our industry!



Contact us

Tel: +86-755-8981 8866 Fax: +86-755-8427 6832

Email & Skype: info@chipsmall.com Web: www.chipsmall.com

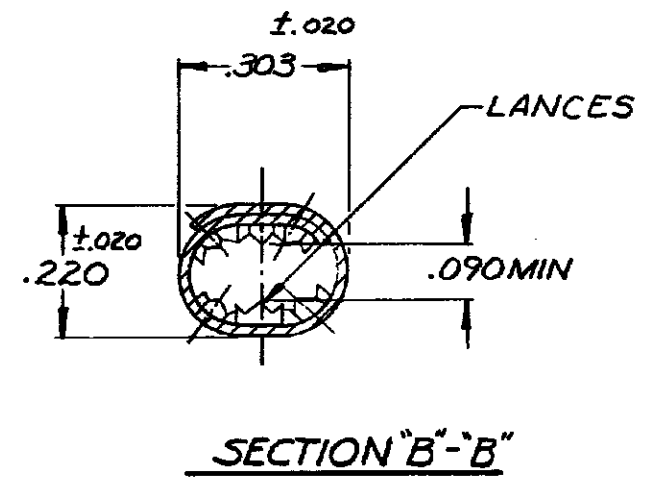
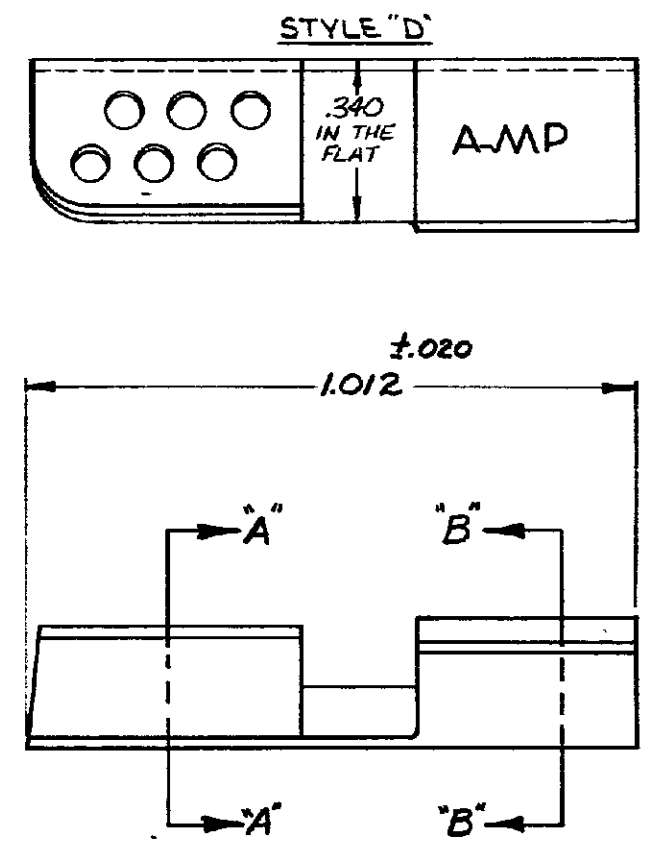
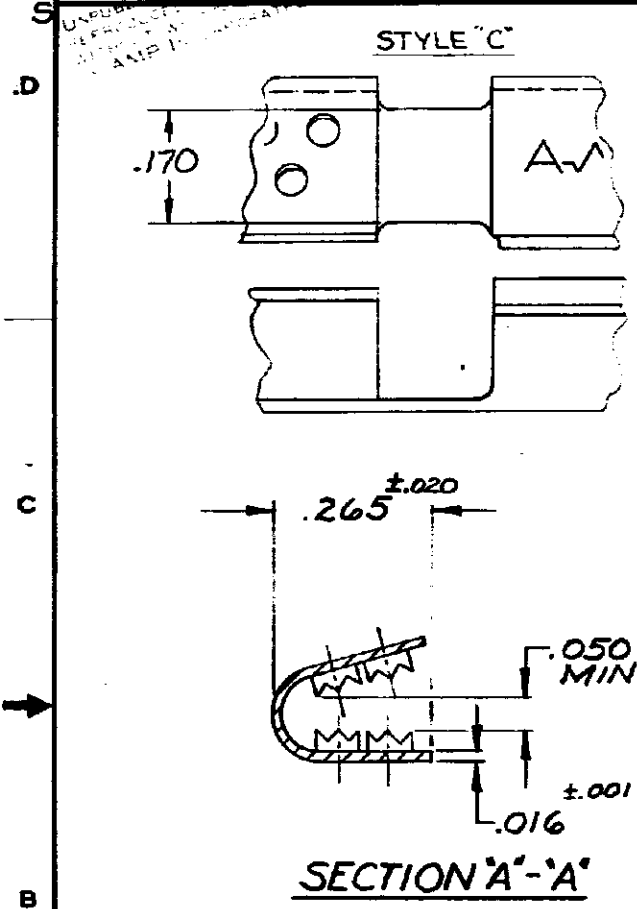
Address: A1208, Overseas Decoration Building, #122 Zhenhua RD., Futian, Shenzhen, China



DRAWING MADE IN AMERICAN PROJECTION

© 1965 BY AMP INCORPORATED. ALL RIGHTS RESERVED. AMP PRODUCTS COVERED BY PATENTS AND/OR PATENTS PENDING.

REVISIONS				
ZONE	LTR	DESCRIPTION	DATE	APPROVED
	B	NPS 73-0008	7-2-73	<i>[Signature]</i>
	C	REVISED PER ECN P-7615	11/20/75	2-11-26-75



PART NO.	STYLE
1-332006-2	"D"
1-332006-0	"C"

UNLESS OTHERWISE SPECIFIED DIMENSIONS ARE IN INCHES:
 TOLERANCES ON:
 DECIMALS ±.008
 ANGLES ±5°

MATERIAL
 COPPER
 (QQ-C-576)
 TIN PLATE
 (MIL-T-10727)
 .0001 MIN THK.

CONTRACT NO. #

DR. *Shawna Podes* 7-2-73

CHK. *[Signature]* 7-2-73

APPD. *Abel* 7-2-73

REL. *[Signature]* 7-19-72

DSGN APPD

OTHER APPD

AMP AMP INCORPORATED
 HARRISBURG, PENNSYLVANIA

NAME: **TERMI-FOIL BOND CLIP**
 CMA=6925

SIZE	CODE IDENT NO.	NUMBER
B	00779	332006

SCALE 4:1 SHEET 1 OF 1