



Chipsmall Limited consists of a professional team with an average of over 10 year of expertise in the distribution of electronic components. Based in Hongkong, we have already established firm and mutual-benefit business relationships with customers from,Europe,America and south Asia,supplying obsolete and hard-to-find components to meet their specific needs.

With the principle of "Quality Parts,Customers Priority,Honest Operation,and Considerate Service",our business mainly focus on the distribution of electronic components. Line cards we deal with include Microchip,ALPS,ROHM,Xilinx,Pulse,ON,Everlight and Freescale. Main products comprise IC,Modules,Potentiometer,IC Socket,Relay,Connector.Our parts cover such applications as commercial,industrial, and automotives areas.

We are looking forward to setting up business relationship with you and hope to provide you with the best service and solution. Let us make a better world for our industry!



## Contact us

Tel: +86-755-8981 8866 Fax: +86-755-8427 6832

Email & Skype: info@chipsmall.com Web: www.chipsmall.com

Address: A1208, Overseas Decoration Building, #122 Zhenhua RD., Futian, Shenzhen, China

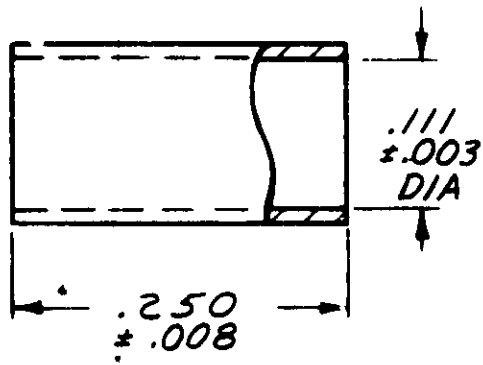


1-332056-0

RELEASED FOR PUBLICATION APRIL 9 1984

COPYRIGHT 1965 BY AMP INCORPORATED, HARRISBURG, PA. ALL INTERNATIONAL RIGHTS RESERVED. AMP PRODUCTS MAY BE COVERED BY U.S. AND FOREIGN PATENTS AND/OR PATENTS PENDING.

REVISIONS					
P	F	LTR	DESCRIPTION	DATE	APPROVED
	✓	F	REDRAWN	1-4-84	MS/DH



- ① COPPER PER ASTM-B-152.
- ② TIN PL PER MIL-T-10727

UNLESS OTHERWISE SPECIFIED DIMENSIONS ARE IN INCHES. TOLERANCES ON: DECIMALS ± .005 FRACTIONS ± .001

MATERIAL  
①

FINISH  
②

CONTRACT NO  
DR *M. Enard* 4-4-84  
CHKD *S. Heide* 4/6/84  
APP'D *Steve Frank* 4/6/84  
APP'D *M. Enard* 4/6/84

DSGN APPD  
OTHER APPD

**AMP** | AMP INCORPORATED  
Harrisburg, Pa. 17105  
NAME  
**FERRULE**

SIZE **A** FSCM NO **00779** DRAWING NO **1-332056-0**  
SCALE **NTS** SHEET