



Chipsmall Limited consists of a professional team with an average of over 10 year of expertise in the distribution of electronic components. Based in Hongkong, we have already established firm and mutual-benefit business relationships with customers from,Europe,America and south Asia,supplying obsolete and hard-to-find components to meet their specific needs.

With the principle of “Quality Parts,Customers Priority,Honest Operation,and Considerate Service”,our business mainly focus on the distribution of electronic components. Line cards we deal with include Microchip,ALPS,ROHM,Xilinx,Pulse,ON,Everlight and Freescale. Main products comprise IC,Modules,Potentiometer,IC Socket,Relay,Connector.Our parts cover such applications as commercial,industrial, and automotives areas.

We are looking forward to setting up business relationship with you and hope to provide you with the best service and solution. Let us make a better world for our industry!



Contact us

Tel: +86-755-8981 8866 Fax: +86-755-8427 6832

Email & Skype: info@chipsmall.com Web: www.chipsmall.com

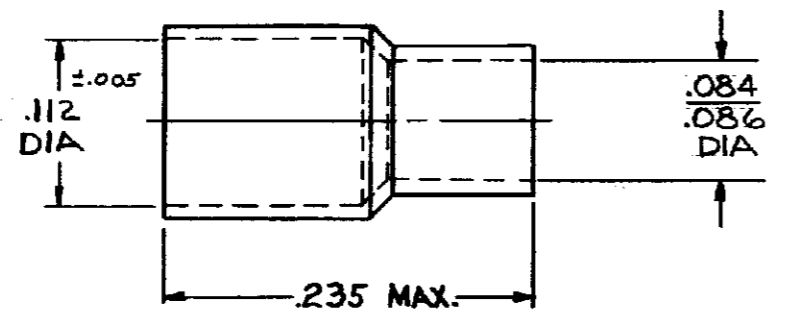
Address: A1208, Overseas Decoration Building, #122 Zhenhua RD., Futian, Shenzhen, China



NUMBER 332057

©1965 BY AMP INCORPORATED. ALL RIGHTS RESERVED. AMP PRODUCTS COVERED BY PATENTS AND/OR PATENTS PENDING. APPROVED PER GOVT CONTRACT NO.

REVISIONS				
SYN	ZONE	DESCRIPTION	DATE	APPROVAL
A		TIN PL WAS SILVER PL .0002 MIN EXTTRK	9/8/65	RHW
B		REVISED	RF-554 85 2-20-68	RHW
C		REVISED PER ECN RF9-78	PI 4-7-68	EMW



QTY REQD	NOMENCLATURE OR DESCRIPTION	PART OR IDENTIFYING NO.	MATERIAL AND PLATING
1	FERRULE	I-332057-0	COPPER (QQ-C-576) TIN PL (MIL-T-10727)

LOC	PRINT DIST	WIRE SIZE
AJ	16C	RG-178 #196/U

UNLESS OTHERWISE SPECIFIED DIMENSIONS ARE IN INCHES TOLERANCES ON		
FRACTIONS	DECIMALS	ANGLES
± 1/64	± .008	± 5°
MATERIAL SEE TABLE		
HEAT TREAT #		
FINISH SEE TABLE		

SIGNATURE		DATE
DR <i>T. DePinto</i>		6-23-65
CHK <i>RHWolfe</i>		9/23/65
DESN ENGR		
APPD <i>Ball</i>		4/24/65
DESN APPD		
OTHER APPD		

AMP INCORPORATED HARRISBURG, PENNSYLVANIA	
NAME SUB-MINIATURE COAXICON FERRULE	
CODE IDENT NO 00779	SIZE NUMBER B 332057
SCALE 10-1	WT CALC ACTUAL SHEET 1 OF 1