



Chipsmall Limited consists of a professional team with an average of over 10 year of expertise in the distribution of electronic components. Based in Hongkong, we have already established firm and mutual-benefit business relationships with customers from,Europe,America and south Asia,supplying obsolete and hard-to-find components to meet their specific needs.

With the principle of "Quality Parts,Customers Priority,Honest Operation,and Considerate Service",our business mainly focus on the distribution of electronic components. Line cards we deal with include Microchip,ALPS,ROHM,Xilinx,Pulse,ON,Everlight and Freescale. Main products comprise IC,Modules,Potentiometer,IC Socket,Relay,Connector.Our parts cover such applications as commercial,industrial, and automotives areas.

We are looking forward to setting up business relationship with you and hope to provide you with the best service and solution. Let us make a better world for our industry!



Contact us

Tel: +86-755-8981 8866 Fax: +86-755-8427 6832

Email & Skype: info@chipsmall.com Web: www.chipsmall.com

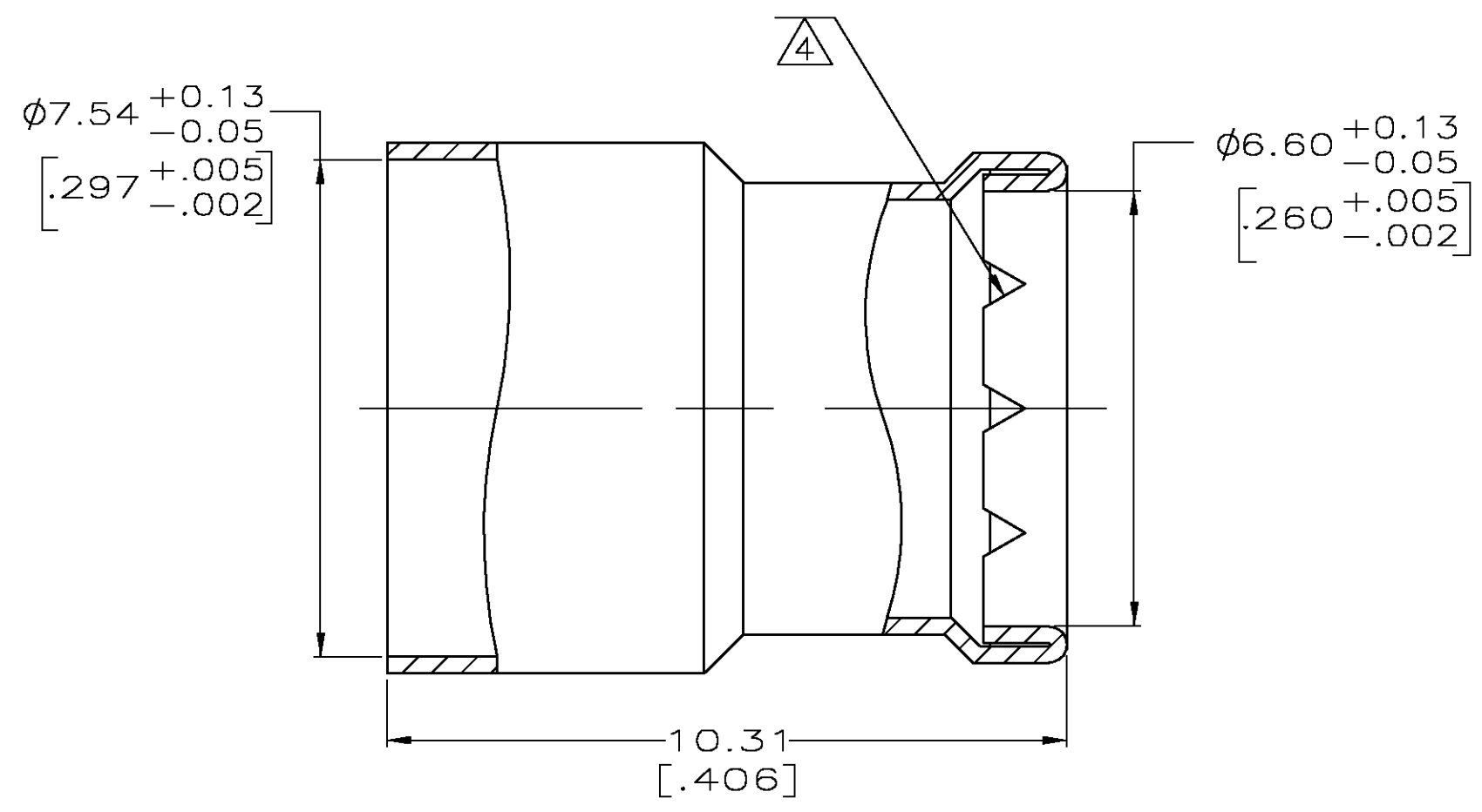
Address: A1208, Overseas Decoration Building, #122 Zhenhua RD., Futian, Shenzhen, China



THIS DRAWING IS UNPUBLISHED. RELEASED FOR PUBLICATION
 © COPYRIGHT BY TYCO ELECTRONICS CORPORATION. ALL RIGHTS RESERVED.

LOC	DIST	REVISIONS					
		P	LTR	DESCRIPTION	DATE	DWN	APVD
AJ	16		F	RDW & REV PER OS14-0114-04	05-10-04	JDP	JL

1. COPPER PER QQ-C-576
2. SILVER PLATE PER QQ-S-365, 5.08 μm [.000200] MIN THICKNESS.
3. TIN-LEAD PLATE PER ASTM-B-571, 2.54 μm [.000100] MIN THICKNESS, WITH SUPPLEMENTAL ANTI FRETTING LUBRICANT.
4. V SERRATIONS PERMISSIBLE
5. TIN PLATE PER ASTM B-545 WITH SUPPLEMENTAL ANTI-FRETTING LUBRICANT.



5	9-332224-0
3	1-332224-1
2	1-332224-0
FINISH	PART NUMBER

THIS DRAWING IS A CONTROLLED DOCUMENT.		DWN M.E. COWHER 6-19-92	Tyco Electronics Corporation Harrisburg, Pa 17105-3608													
DIMENSIONS: mm [INCHES]		CHK W.R. GRAY 6-22-92														
TOLERANCES UNLESS OTHERWISE SPECIFIED:		APVD M. E. COWHER 06-22-92	NAME FERRULE, STEP DOWN													
<table border="0"> <tr><td>0 PLC</td><td>± -</td></tr> <tr><td>1 PLC</td><td>± -</td></tr> <tr><td>2 PLC</td><td>± 0.38 [.015]</td></tr> <tr><td>3 PLC</td><td>± -</td></tr> <tr><td>4 PLC</td><td>± -</td></tr> <tr><td>ANGLES</td><td>± -</td></tr> </table>		0 PLC	± -	1 PLC	± -	2 PLC	± 0.38 [.015]	3 PLC	± -	4 PLC	± -	ANGLES	± -	PRODUCT SPEC -	SIZE A3	
0 PLC	± -															
1 PLC	± -															
2 PLC	± 0.38 [.015]															
3 PLC	± -															
4 PLC	± -															
ANGLES	± -															
MATERIAL SEE NOTES		APPLICATION SPEC -	CAGE CODE 00779	DRAWING NO C-332224												
FINISH SEE TABLE		WEIGHT -	RESTRICTED TO -													
CUSTOMER DRAWING			SCALE 10:1	SHEET 1 OF 1												
			REV F													