



Chipsmall Limited consists of a professional team with an average of over 10 year of expertise in the distribution of electronic components. Based in Hongkong, we have already established firm and mutual-benefit business relationships with customers from,Europe,America and south Asia,supplying obsolete and hard-to-find components to meet their specific needs.

With the principle of “Quality Parts,Customers Priority,Honest Operation,and Considerate Service”,our business mainly focus on the distribution of electronic components. Line cards we deal with include Microchip,ALPS,ROHM,Xilinx,Pulse,ON,Everlight and Freescale. Main products comprise IC,Modules,Potentiometer,IC Socket,Relay,Connector.Our parts cover such applications as commercial,industrial, and automotives areas.

We are looking forward to setting up business relationship with you and hope to provide you with the best service and solution. Let us make a better world for our industry!



Contact us

Tel: +86-755-8981 8866 Fax: +86-755-8427 6832

Email & Skype: info@chipsmall.com Web: www.chipsmall.com

Address: A1208, Overseas Decoration Building, #122 Zhenhua RD., Futian, Shenzhen, China

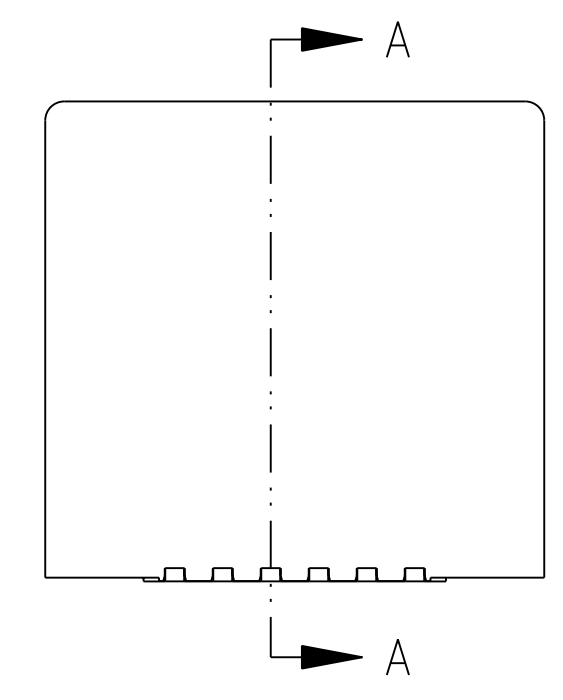
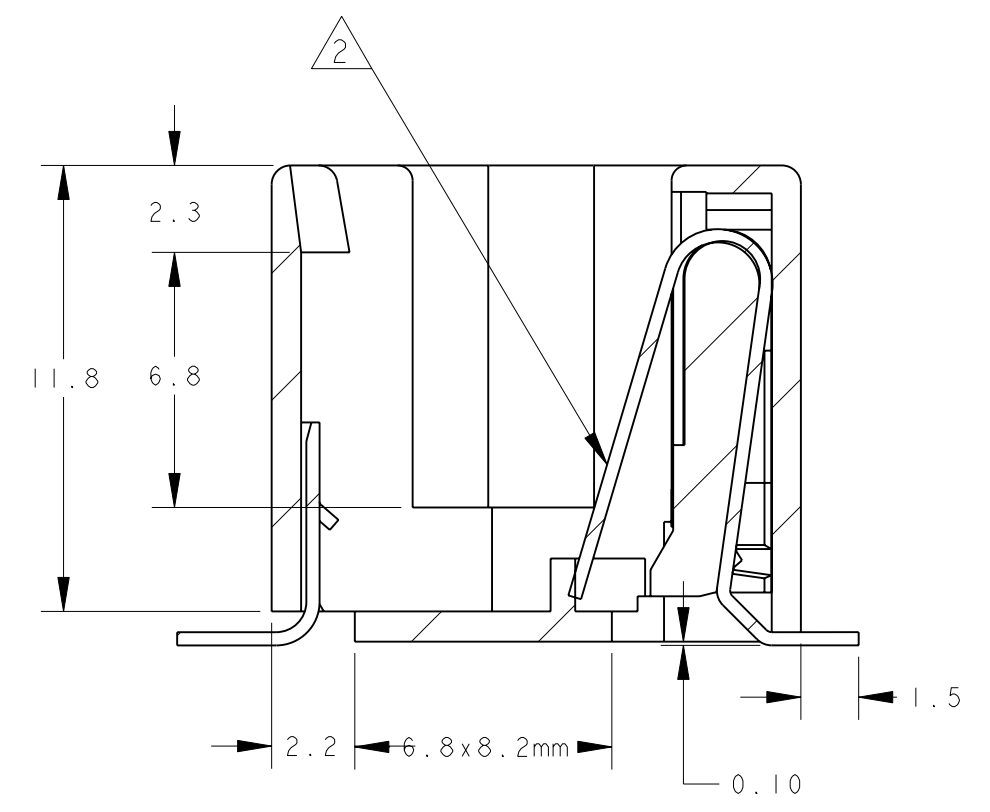
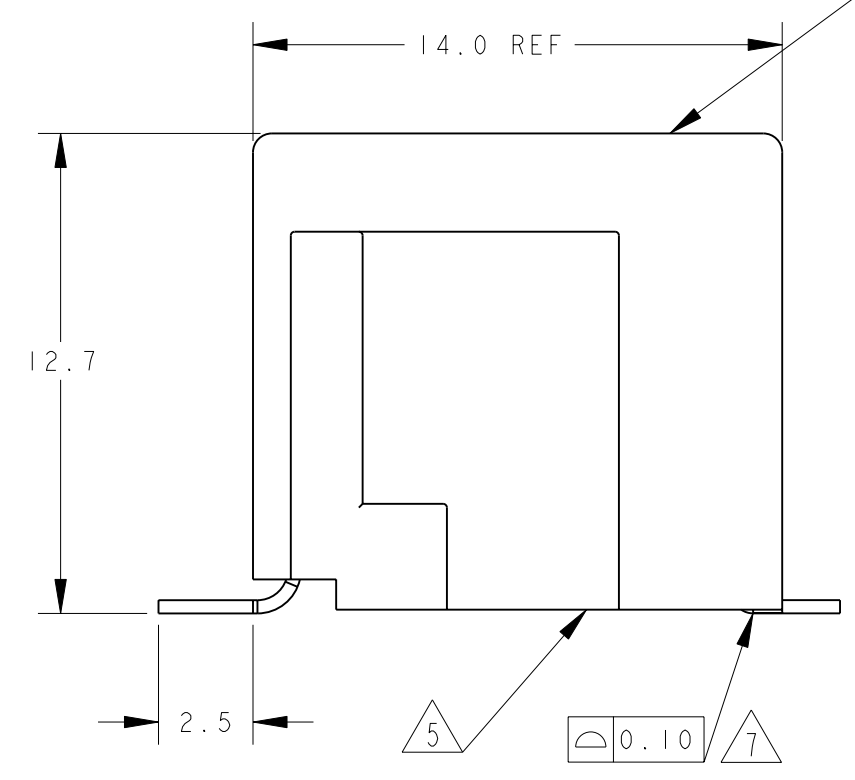
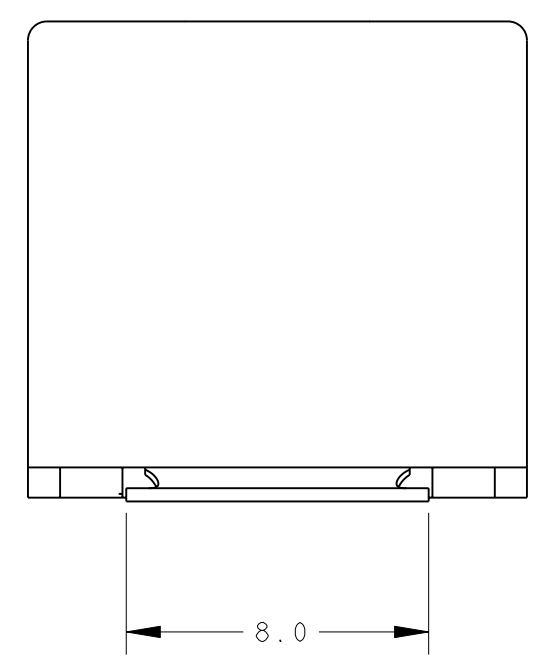
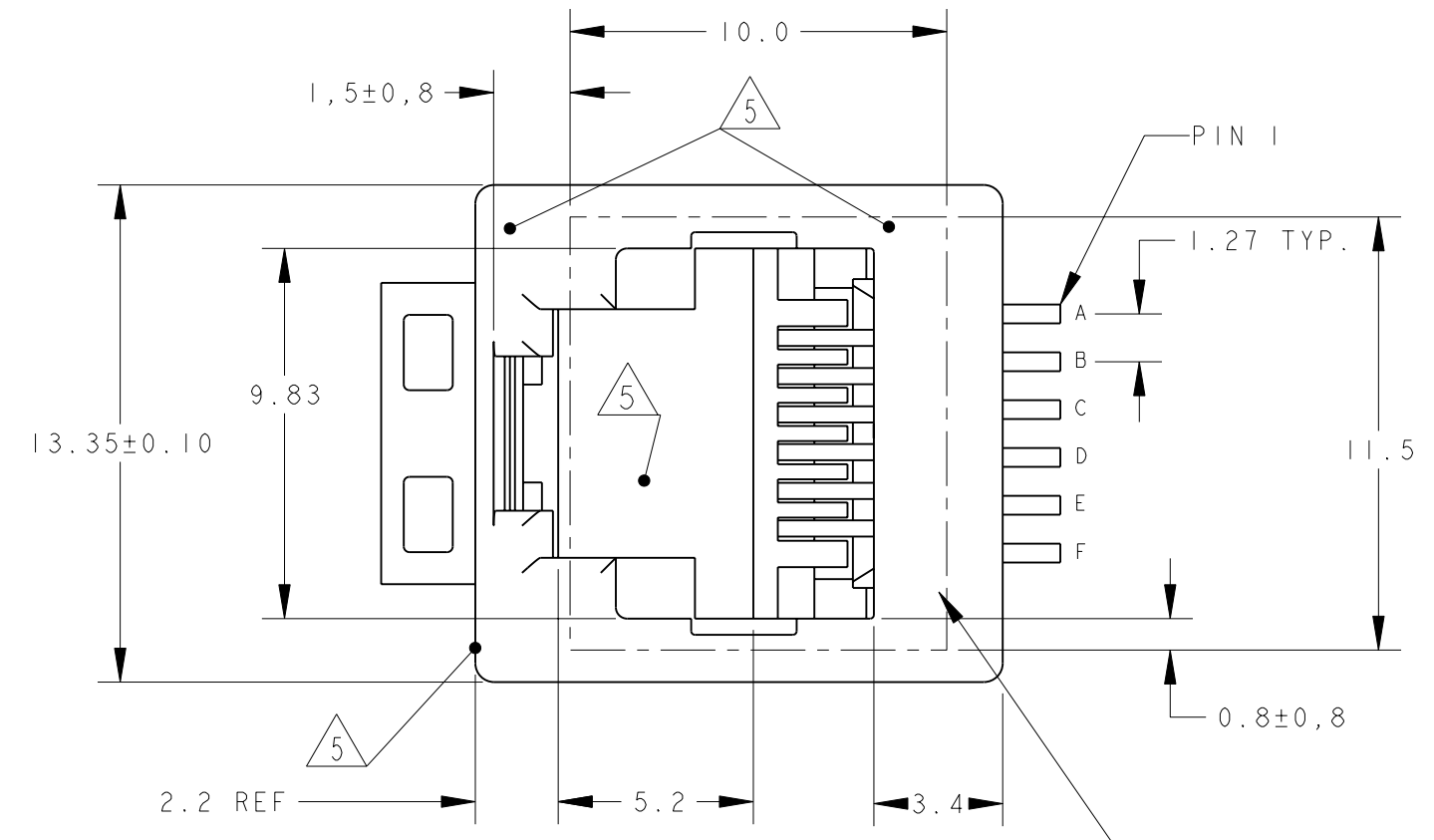
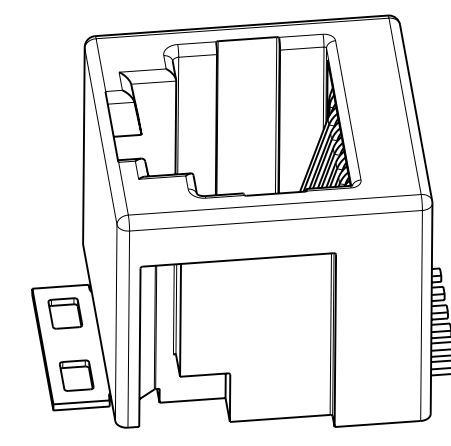


THIS DRAWING IS UNPUBLISHED. RELEASED FOR PUBLICATION
 © COPYRIGHT - TE CONNECTIVITY ALL RIGHTS RESERVED.

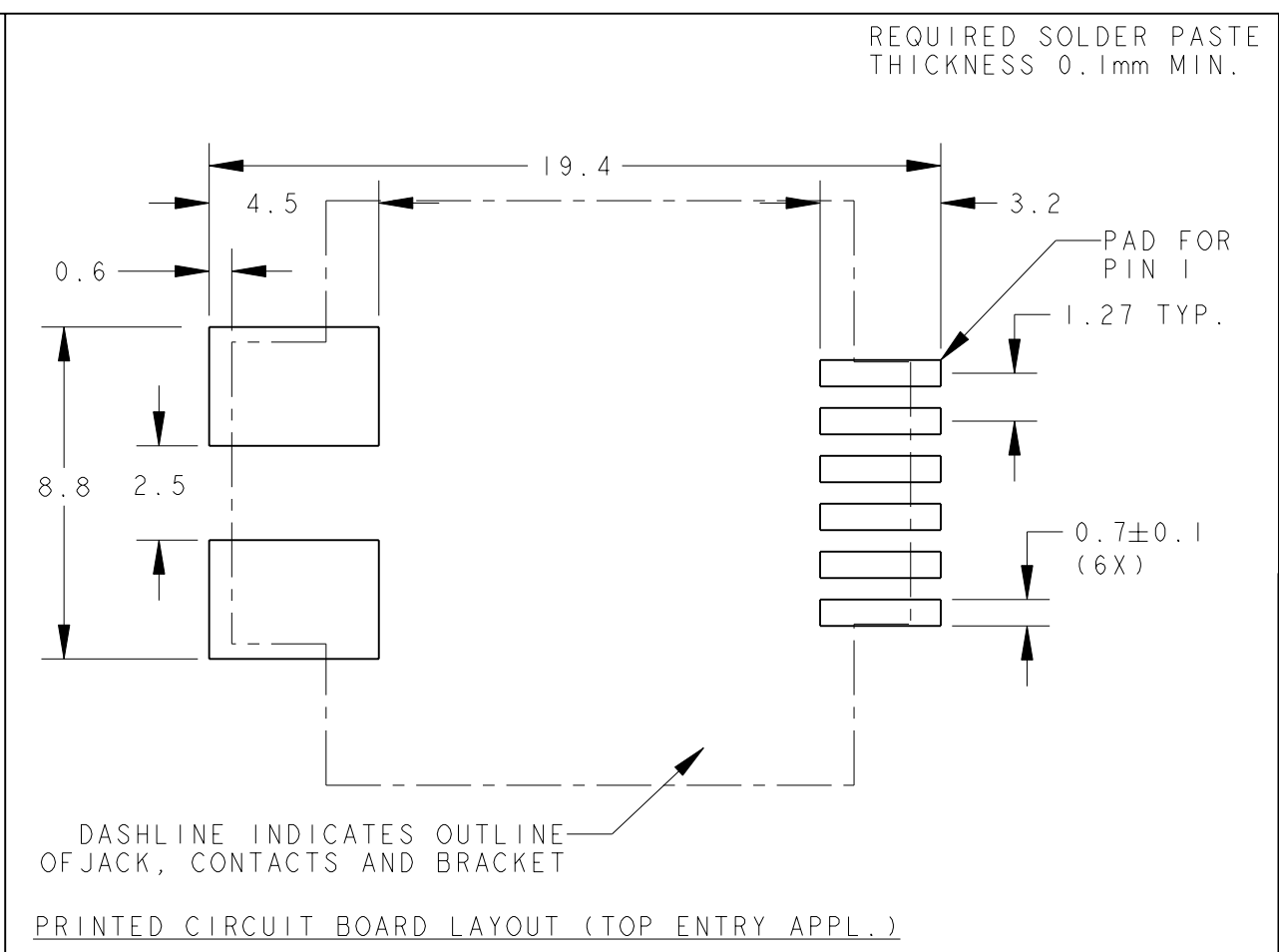
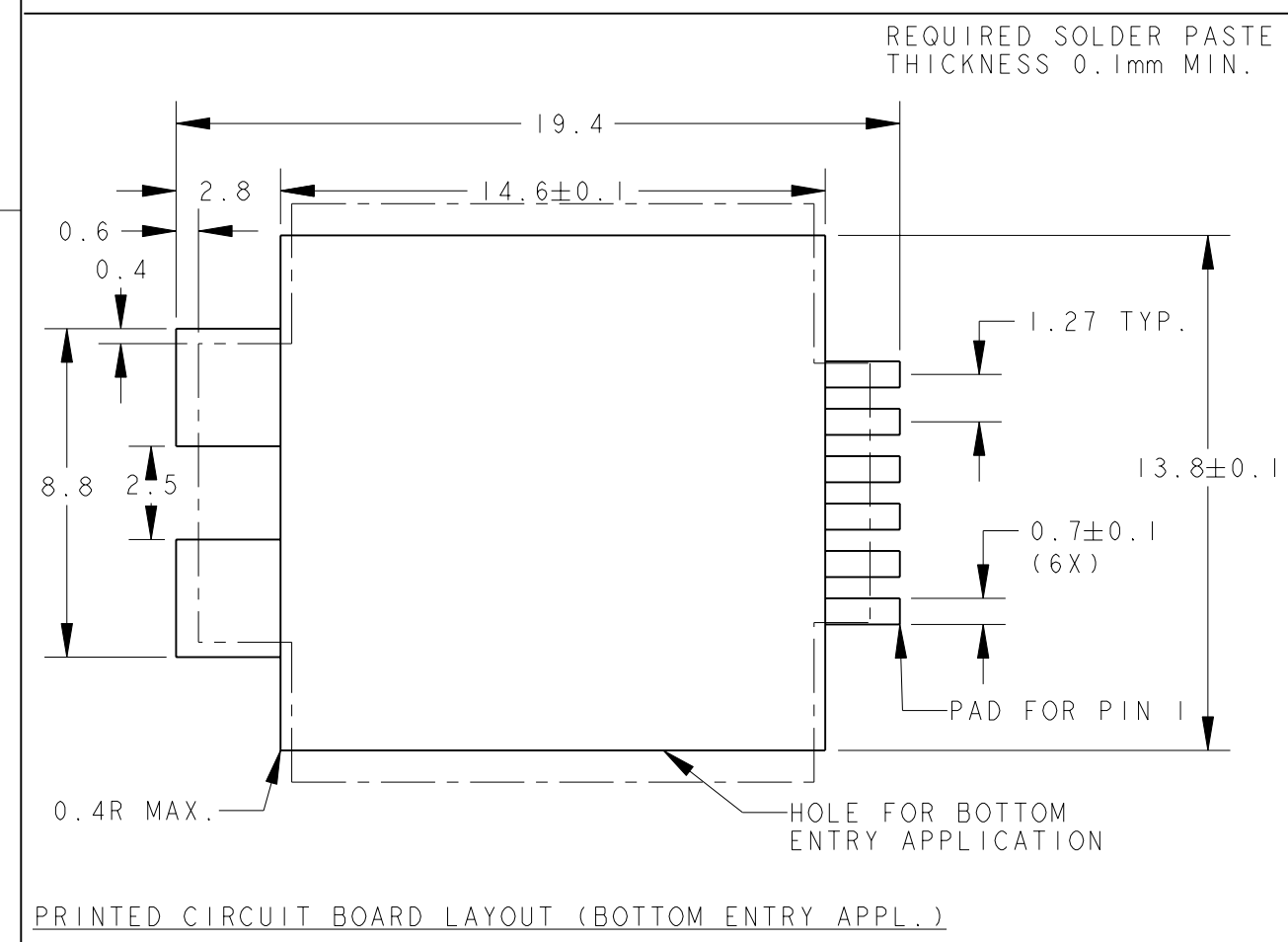
LOC		DIST		REVISIONS			
P	LTR	DESCRIPTION	DATE	DWN	APVD		
IR	-	W	ECR-10-020218	28DEC2010	PS	PKS	

NOTES:

- 1 TOLERANCES UNLESS OTHERWISE SPECIFIED: ± 0.15 .
- 2 CONTACT PLATING:
 OVERALL: Ni 1.27 μ m MIN. ALL OVER THE CONTACTS
 SOLDER ZONE: Sn 3.5-5.0 μ m ON THE SOLDER ZONE OF THE CONTACT
 MATING ZONE: PLATING CONFIRMS TO PRODUCT REQUIREMENTS
 AS PER SPECIFICATION 108-19117
- 3 MATERIALS:
 HOUSING: 30% G.F. PA 9T, COLOR BLACK, UL 94V-0.
 CONTACTS: PHOSPHOR BRONZE
 SOLDER BRACKET: TINPLATED BRASS WITH NICKEL UNDERPLATE.
- 4 THIS JACK CAN ALSO BE APPLIED HANGING THROUGH A HOLE,
 IN A PRINTED CIRCUIT BOARD. SEE LEFT PCB LAYOUT.
- 5 SURFACE CAN BE USED FOR PICKING THE MODULAR JACK WITH,
 TYPE 11 SMD MACHINE.
- 6 ON 1-338086-4 AND 2-338086-4 ONLY CONTACTS B,C,D & E
 ARE INSTALLED.
- 7 COPLANARITY MEASURED AT HEEL OF CONTACTS
 COPLANARITY AT TIPS OF CONTACTS MAX. 0.18 mm
- 8 TAPE AND REEL PACKAGING ACCORDING TO EIA 481-3 SPECIFICATIONS.
- 9 INCLUDES KAPTON TAPE (10x11,5mm)
 ON TOP SURFACE AS PICK AND PLACE FEATURE.
- 10 OBSOLETE PARTS: OBSOLETE CIS STREAMLINIG PER D. RENAUD/D.SINSI



SECTION A - A



POS.	CONT.	REMARKS	PACKAGING	PART NUMBER
6 POS. / 6 CONT.		750 PCS ON \varnothing 560mm OD REEL. BOTTOM ENTRY ORIENTATION PER DETAIL B2		2-338086-5
6 POS. / 4 CONT.		750 PCS ON \varnothing 560mm OD REEL. TOP ENTRY ORIENTATION PER DETAIL B1		2-338086-4 Δ 6
6 POS. / 6 CONT.		300 PCS ON \varnothing 360mm OD REEL. BOTTOM ENTRY ORIENTATION PER DETAIL B1		2-338086-3
6 POS. / 4 CONT.		300 PCS ON \varnothing 360mm OD REEL. BOTTOM ENTRY ORIENTATION PER DETAIL B1		1-338086-7 Δ 9
6 POS. / 6 CONT.		300 PCS ON \varnothing 360mm OD REEL. TOP ENTRY ORIENTATION PER DETAIL B1		1-338086-6 Δ 9
6 POS. / 6 CONT.		300 PCS ON \varnothing 360mm OD REEL. BOTTOM ENTRY ORIENTATION PER DETAIL B2		1-338086-5
6 POS. / 4 CONT.		300 PCS ON \varnothing 360mm OD REEL. TOP ENTRY ORIENTATION PER DETAIL B1		1-338086-4 Δ 6
6 POS. / 6 CONT.				1-338086-3
REMARKS		PACKAGING Δ 8	PART NUMBER	

THIS DRAWING IS A CONTROLLED DOCUMENT.		DWN E.v.F.IJK 22-Nov-96	STE TE Connectivity	
		CHK E.STELLINGA DEC-96		
DIMENSIONS: mm	TOLERANCES UNLESS OTHERWISE SPECIFIED:	APVD R.SMEETS	NAME INVERTIBLE MODULAR JACK ASSEMBLY FOR SURFACE MOUNT APPLICATION 6/6 AND 6/4 POSITION LINE	
\varnothing	0 PLC \pm	PRODUCT SPEC 108-19117	SIZE	RESTRICTED TO
	1 PLC \pm	APPLICATION SPEC 114-19041	CAGE CODE A20779	
	2 PLC \pm	WEIGHT	DRAWING NO C-338086	
	3 PLC \pm		SCALE 5:1	
	4 PLC \pm		SHEET 1 OF 2	
	ANGLES \pm		REV W	
MATERIAL FINISH	SEE NOTE 3	CUSTOMER DRAWING		

4

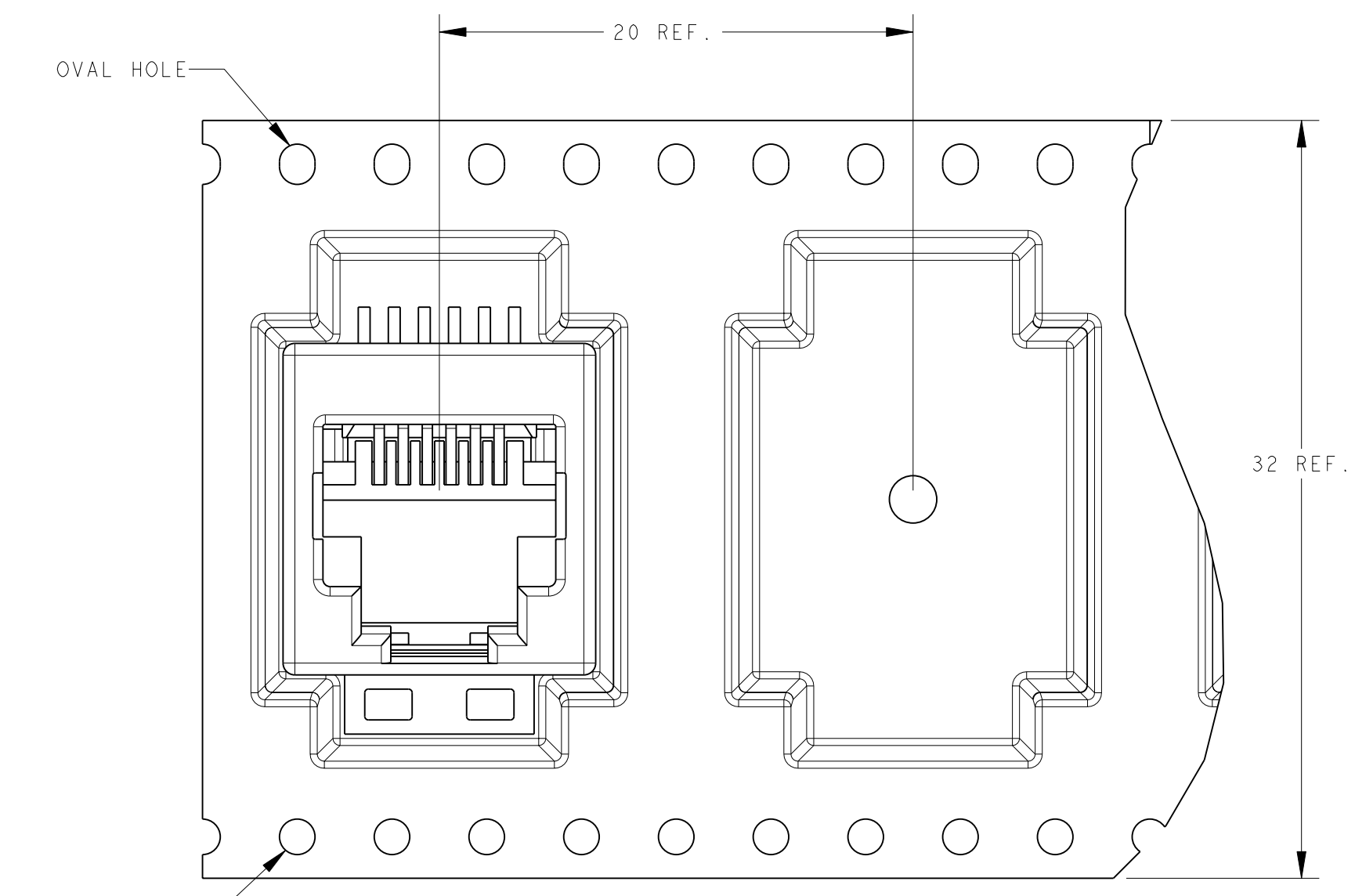
3

2

1

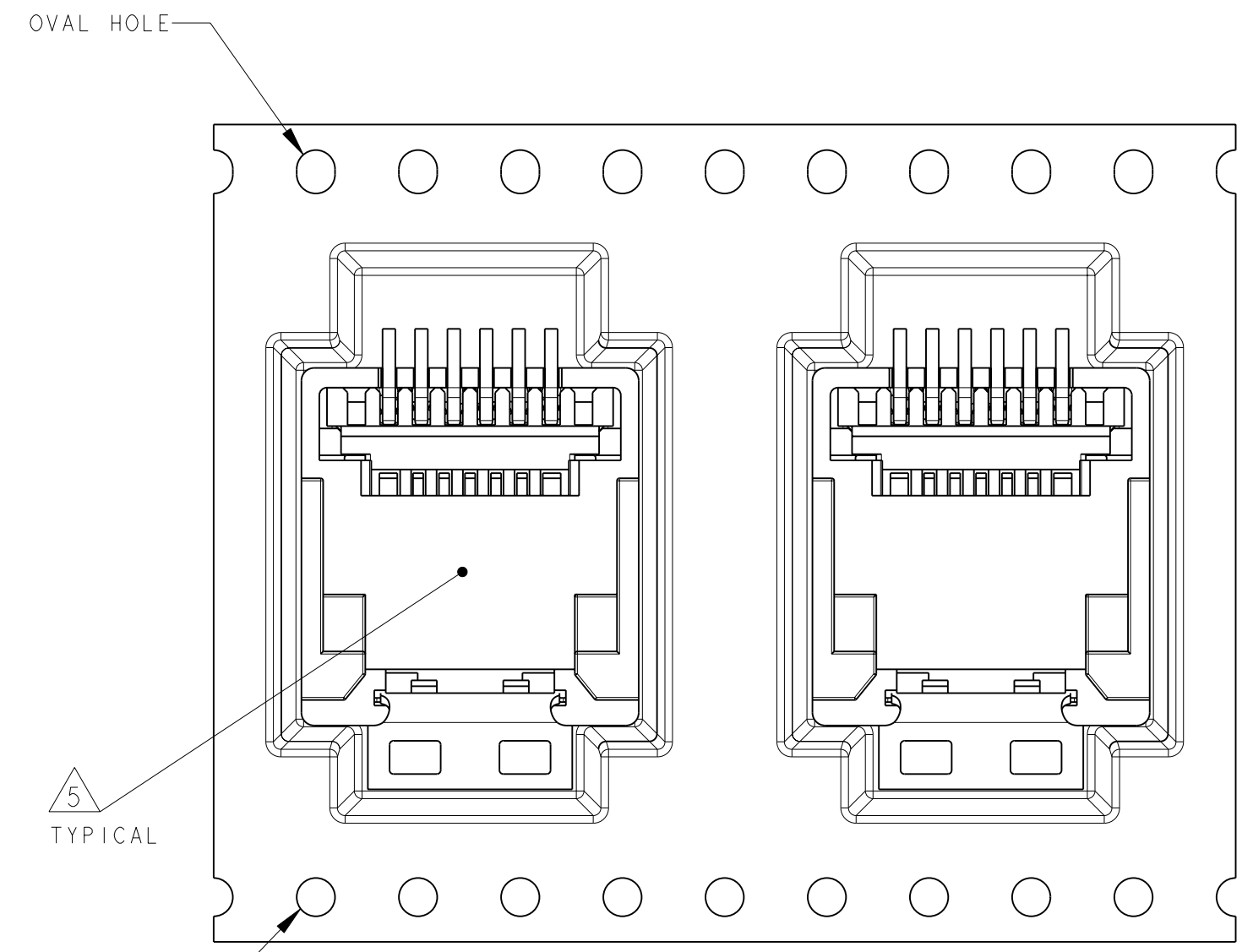
THIS DRAWING IS UNPUBLISHED. RELEASED FOR PUBLICATION
 © COPYRIGHT - TE CONNECTIVITY ALL RIGHTS RESERVED.

LOC	DIST	REVISIONS			
P	LTR	DESCRIPTION	DATE	DWN	APVD
IR	-	SEE SHEET 1	-	-	-



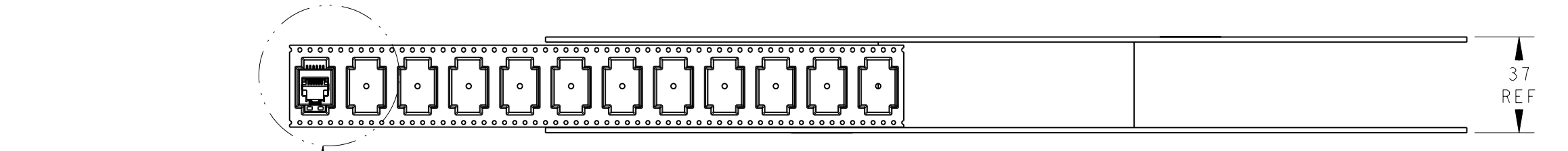
TOP ENTRY ORIENTATION.

DETAIL B1
SCALE 4:1

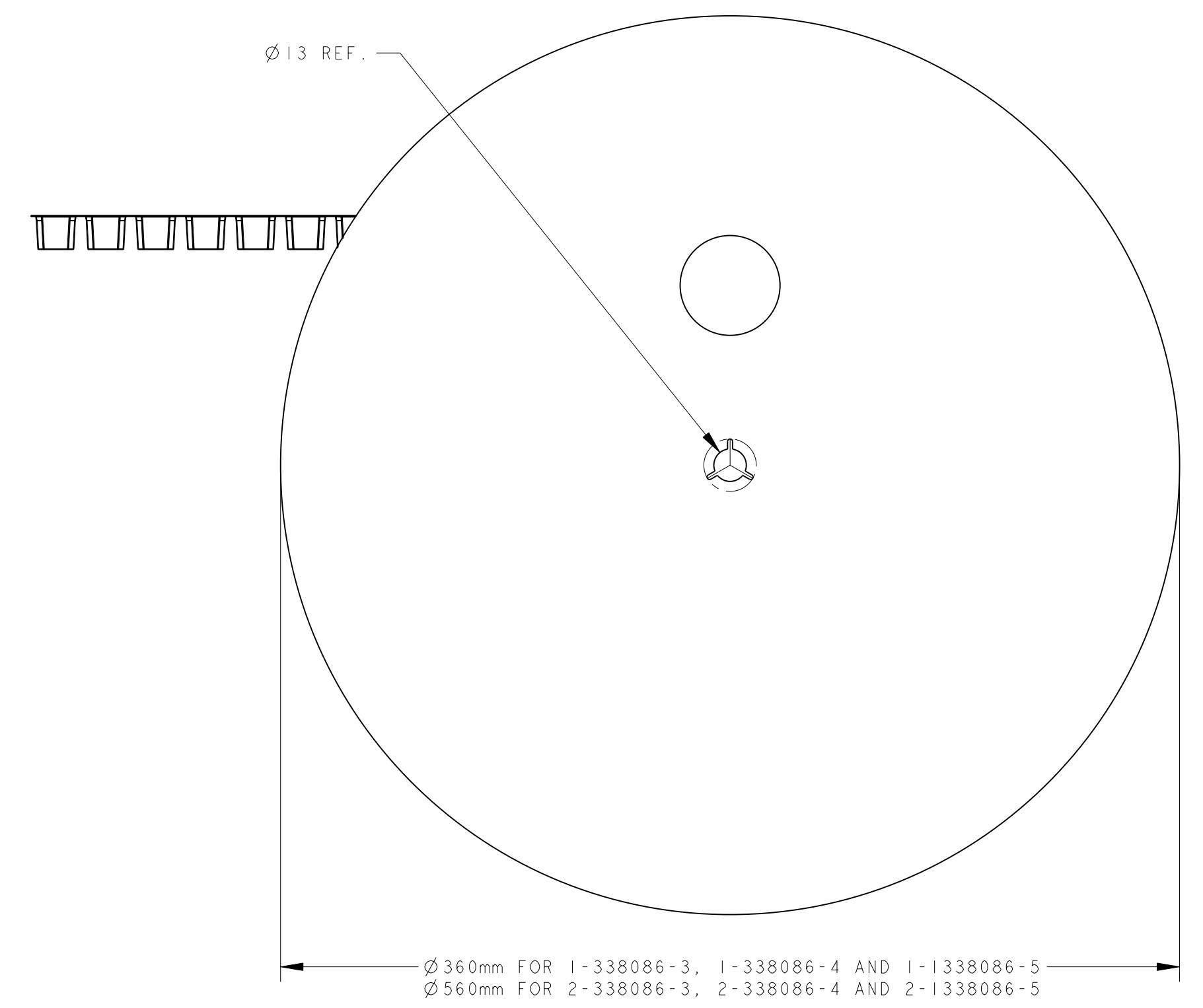


BOTTOM ENTRY ORIENTATION.

DETAIL B2
SCALE 4:1



SEE DETAIL B1 & B2



THIS DRAWING IS A CONTROLLED DOCUMENT.		DWN 22-Nov-96 E.v.EIJK	STE TE Connectivity	
DIMENSIONS: mm		CHK E.STELLINGA dEC-96		
TOLERANCES UNLESS OTHERWISE SPECIFIED:		APVD R.SMEETS	NAME INVERTIBLE MODULAR JACK ASSEMBLY FOR SURFACE MOUNT APPLICATION 6/6 AND 6/4 POSITION LINE	
0 PLC ±		PRODUCT SPEC 108-19117	SIZE	RESTRICTED TO
1 PLC ±		APPLICATION SPEC 114-19041	CAGE CODE A20779	DRAWING NO C-338086
2 PLC ±		WEIGHT -	SCALE 5:1	SHEET 2 OF 2
3 PLC ±		MATERIAL -	REV W	
4 PLC ±		CUSTOMER DRAWING		
ANGLES ±				
FINISH				