



Chipsmall Limited consists of a professional team with an average of over 10 year of expertise in the distribution of electronic components. Based in Hongkong, we have already established firm and mutual-benefit business relationships with customers from,Europe,America and south Asia,supplying obsolete and hard-to-find components to meet their specific needs.

With the principle of “Quality Parts,Customers Priority,Honest Operation,and Considerate Service”,our business mainly focus on the distribution of electronic components. Line cards we deal with include Microchip,ALPS,ROHM,Xilinx,Pulse,ON,Everlight and Freescale. Main products comprise IC,Modules,Potentiometer,IC Socket,Relay,Connector.Our parts cover such applications as commercial,industrial, and automotives areas.

We are looking forward to setting up business relationship with you and hope to provide you with the best service and solution. Let us make a better world for our industry!



## Contact us

Tel: +86-755-8981 8866 Fax: +86-755-8427 6832

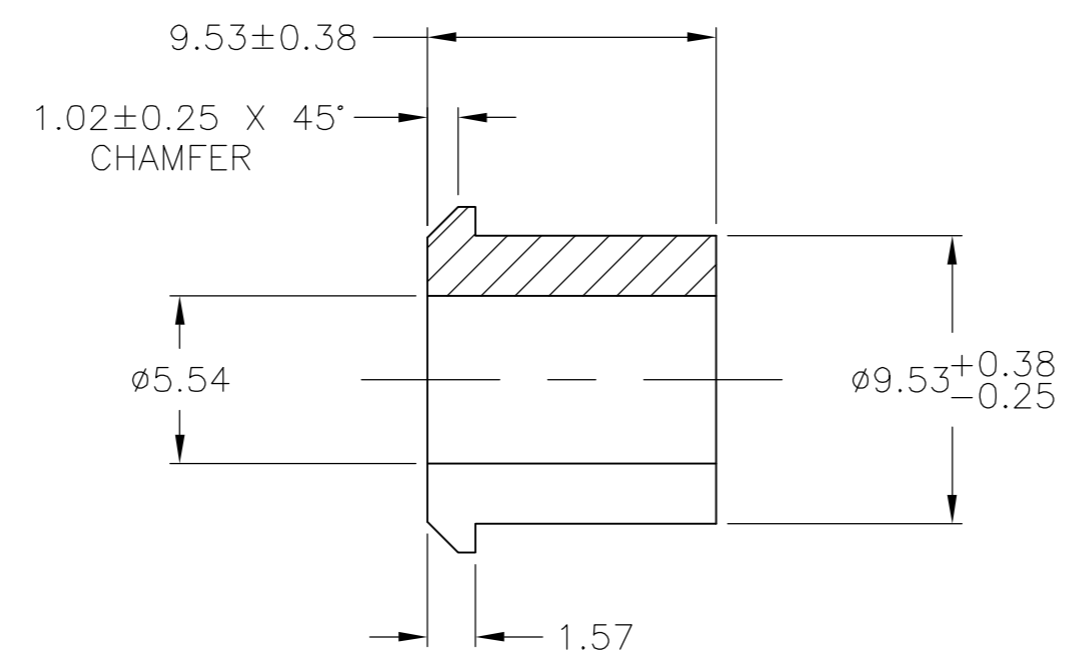
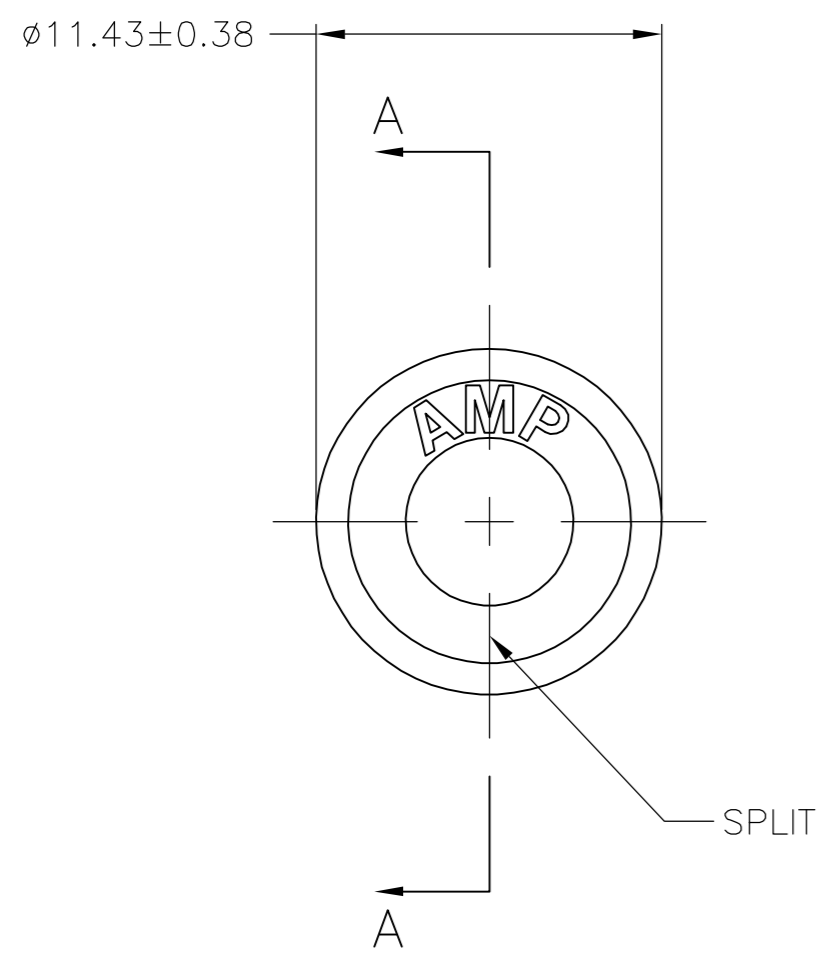
Email & Skype: info@chipsmall.com Web: www.chipsmall.com

Address: A1208, Overseas Decoration Building, #122 Zhenhua RD., Futian, Shenzhen, China



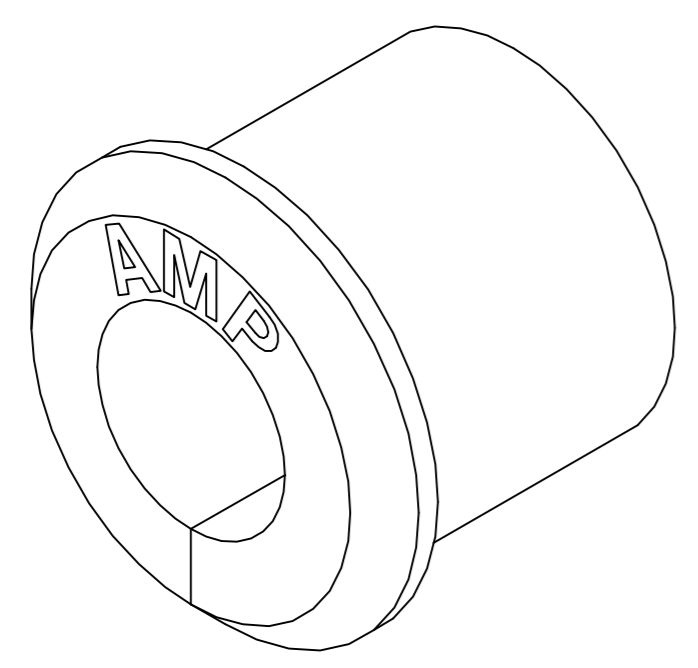
THIS DRAWING IS UNPUBLISHED. RELEASED FOR PUBLICATION  
 © COPYRIGHT BY TYCO ELECTRONICS CORPORATION. ALL RIGHTS RESERVED.

LOC		DIST		REVISIONS			
P	LTR	DESCRIPTION		DATE	DWN	APVD	
G		ECO-06-012706		08JUN06	BSV	JR	

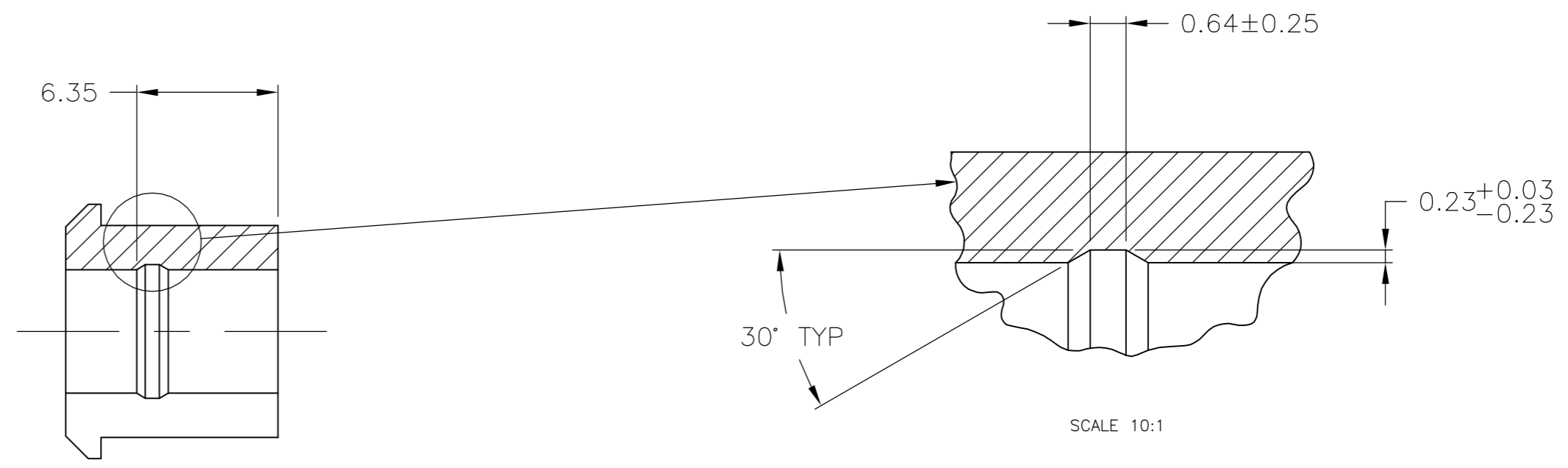


SECTION A-A

- 1. USE WITH STRAIN RELIEF 350373.
- 2. MOLDING COMPOUND PVC,FLEXIBLE, 55/75 DUROMETER (B SCALE),BLACK.
- 3. MOLDING COMPOUND PVC,FLEXIBLE,BLACK.



3-DIMENSIONAL MODEL NTS



SECTION A-A  
OPTIONAL CONSTRUCTION

MM	IN	MM	IN	MM	IN
0.25	.010	1.57	.062	11.43	.450
0.23	.009	1.02	.040	9.53	.375
0.13	.005	0.64	.025	6.35	.250
0.03	.001	0.38	.015	5.54	.218

CONVERSION TABLE

**METRIC**

SUPERCEDED BY 2-350376-0	3	2-350376-0
	2	1-350376-0
	MATERIAL	PART NUMBER

THIS DRAWING IS A CONTROLLED DOCUMENT.		DWN K. WHITAKER 24MAR06	Tyco Electronics Corporation Harrisburg, Pa 17105-3608	
DIMENSIONS: mm		CHK C. JONES 24MAR06		
TOLERANCES UNLESS OTHERWISE SPECIFIED:		APVD C. JONES 24MAR06	NAME GROMMET,SPLIT,M.R.	
0 PLC ± - 1 PLC ± - 2 PLC ± - 3 PLC ± 0.13 4 PLC ± - ANGLES ± 1'0"		PRODUCT SPEC -	-	
MATERIAL SEE TABLE		APPLICATION SPEC -	SIZE A2	RESTRICTED TO -
FINISH -		WEIGHT -	CAGE CODE 00779	DRAWING NO C=350376
		CUSTOMER DRAWING	SCALE 4:1	SHEET 1 OF 1

350376