



Chipsmall Limited consists of a professional team with an average of over 10 year of expertise in the distribution of electronic components. Based in Hongkong, we have already established firm and mutual-benefit business relationships with customers from,Europe,America and south Asia,supplying obsolete and hard-to-find components to meet their specific needs.

With the principle of “Quality Parts,Customers Priority,Honest Operation,and Considerate Service”,our business mainly focus on the distribution of electronic components. Line cards we deal with include Microchip,ALPS,ROHM,Xilinx,Pulse,ON,Everlight and Freescale. Main products comprise IC,Modules,Potentiometer,IC Socket,Relay,Connector.Our parts cover such applications as commercial,industrial, and automotives areas.

We are looking forward to setting up business relationship with you and hope to provide you with the best service and solution. Let us make a better world for our industry!



## Contact us

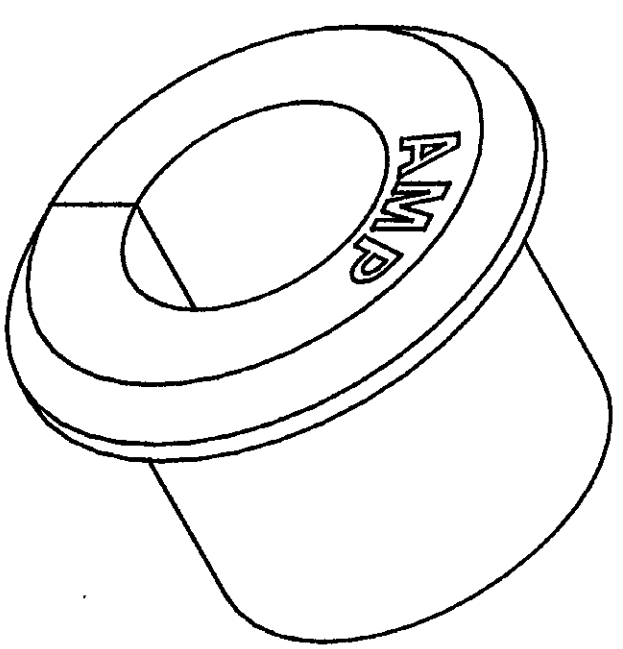
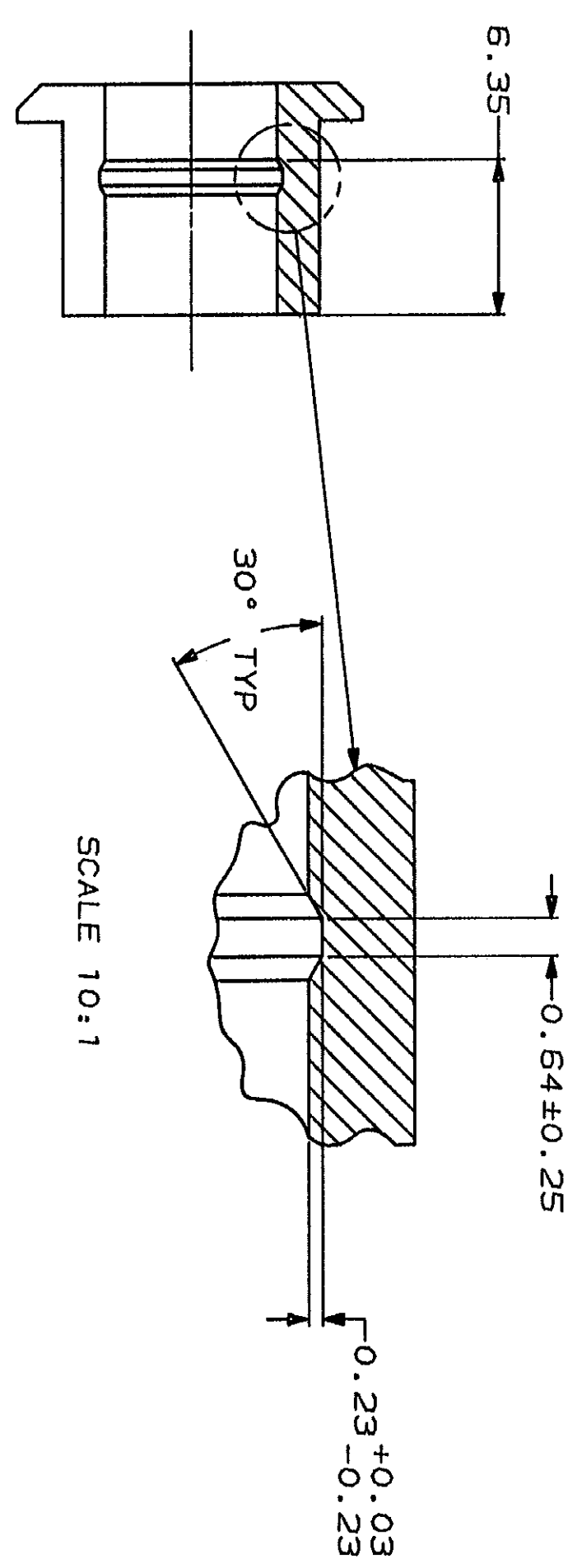
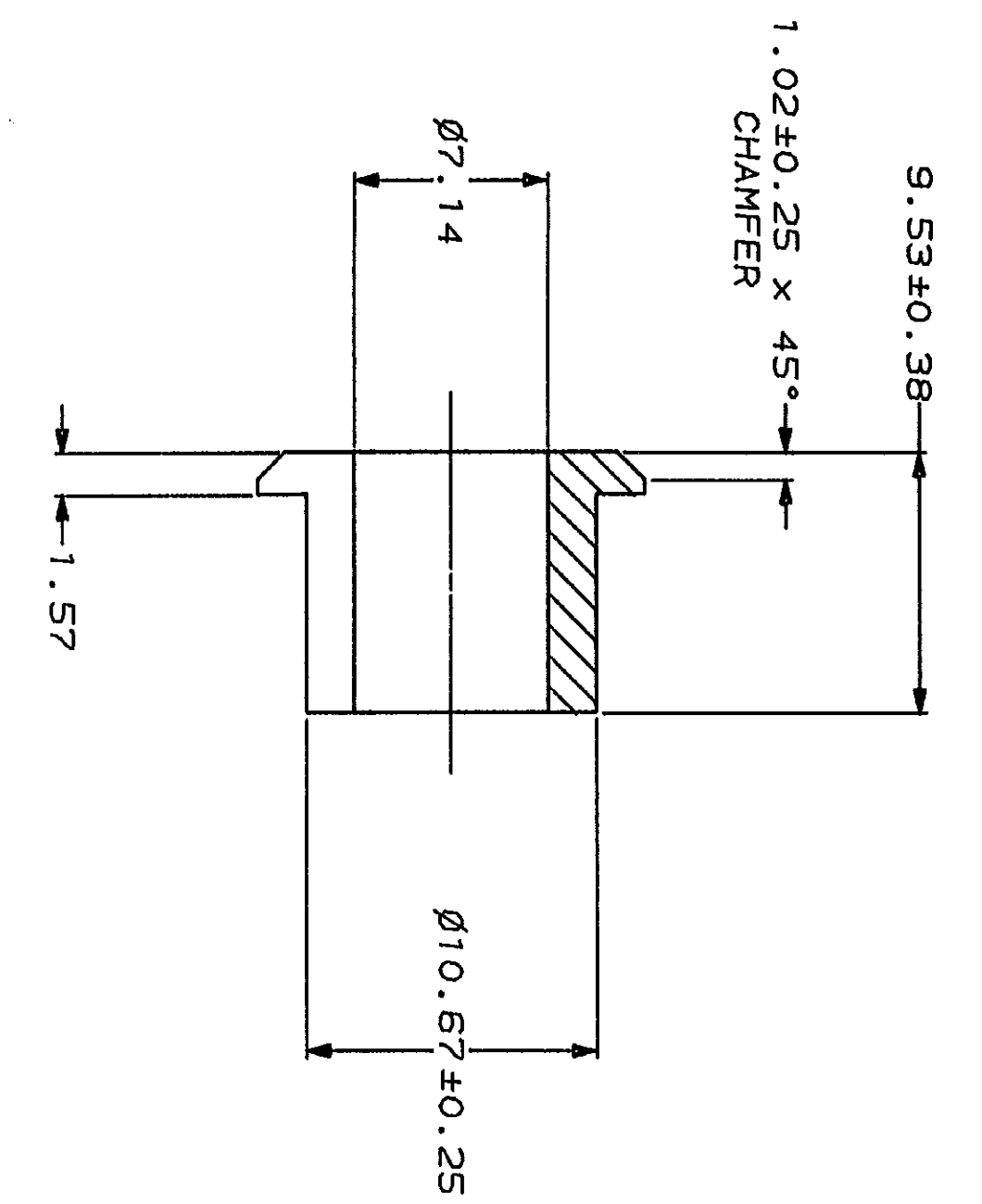
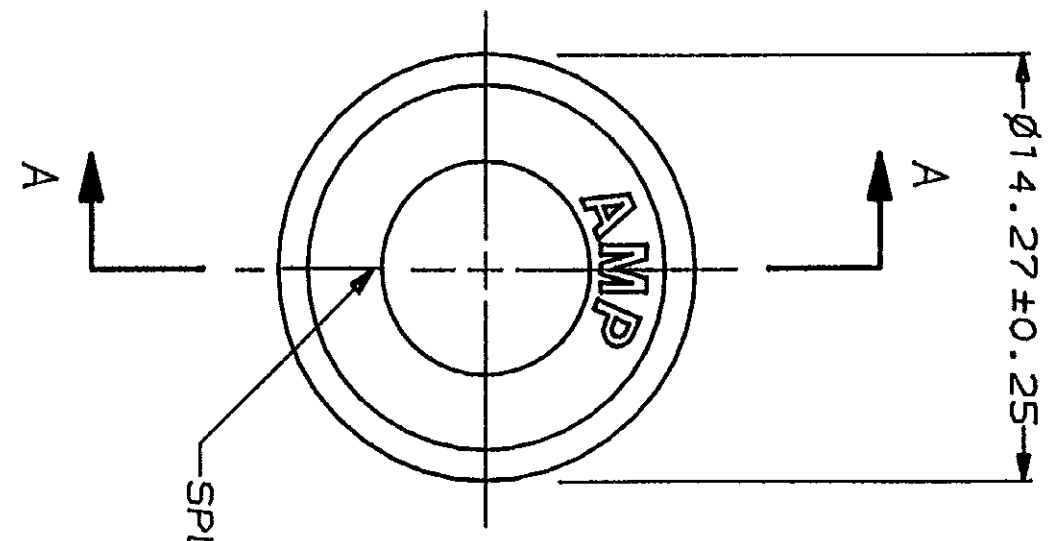
Tel: +86-755-8981 8866 Fax: +86-755-8427 6832

Email & Skype: info@chipsmall.com Web: www.chipsmall.com

Address: A1208, Overseas Decoration Building, #122 Zhenhua RD., Futian, Shenzhen, China



LOC	DIST	REV	ZONE	LTR	DESCRIPTION	DATE	APPD
CM	53	P			REDWN AND REV PER ECN CM-2599	12-6-89	KU
		V					RS



3-DIMENSIONAL MODEL  
NTS

MM	IN	MM	IN	MM	IN
0.38	.015	7.14	.281	-	-
0.25	.010	6.35	.250	-	-
0.23	.009	1.57	.062	14.27	.562
0.13	.005	1.02	.040	10.67	.420
0.03	.001	0.64	.025	9.53	.375

CONVERSION TABLE

1. USE WITH STRAIN RELIEF 350374.  
 ▲ MOLDING COMPOUND PVC, FLEXIBLE, 55/75 DUREOMETER (B SCALE), BLACK.

SECTION A-A  
OPTIONAL CONSTRUCTION

1-350380-1  
PART NO

**AMP** AMP INCORPORATED  
 Herkimer, Pa. 17105  
 GROMMET, SPLIT, M.R.

DO NOT SCALE PRINT. UNLESS SPECIFIED DIMENSIONS IN MM (INCHES) TOLERANCES ON: 2 PLC DEC ± 0.13 3 PLC DEC ± 1.0° ANGLES MATERIAL	DR <i>[Signature]</i> 12-7-89 CHK <i>[Signature]</i> 12-8-89 APPD <i>[Signature]</i> 12-11-89	NAME
FINISH	PRODUCT SPEC	SIZE CAGE CODE
	APPLICATION SPEC	DRAWING NO
	WEIGHT	SCALE
		SHEET

**METRIC**