



Chipsmall Limited consists of a professional team with an average of over 10 year of expertise in the distribution of electronic components. Based in Hongkong, we have already established firm and mutual-benefit business relationships with customers from,Europe,America and south Asia,supplying obsolete and hard-to-find components to meet their specific needs.

With the principle of “Quality Parts,Customers Priority,Honest Operation,and Considerate Service”,our business mainly focus on the distribution of electronic components. Line cards we deal with include Microchip,ALPS,ROHM,Xilinx,Pulse,ON,Everlight and Freescale. Main products comprise IC,Modules,Potentiometer,IC Socket,Relay,Connector.Our parts cover such applications as commercial,industrial, and automotives areas.

We are looking forward to setting up business relationship with you and hope to provide you with the best service and solution. Let us make a better world for our industry!



## Contact us

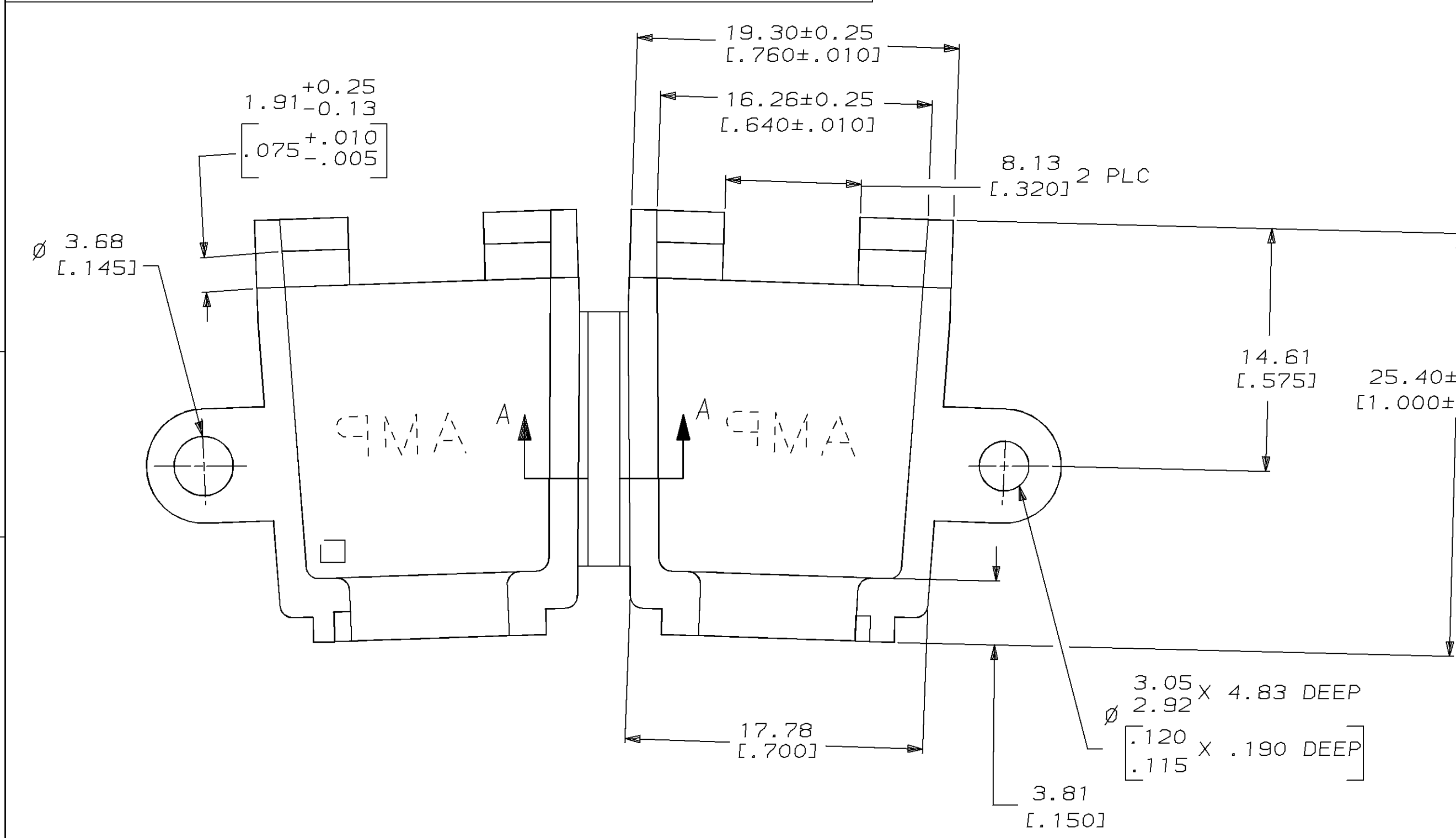
Tel: +86-755-8981 8866 Fax: +86-755-8427 6832

Email & Skype: info@chipsmall.com Web: www.chipsmall.com

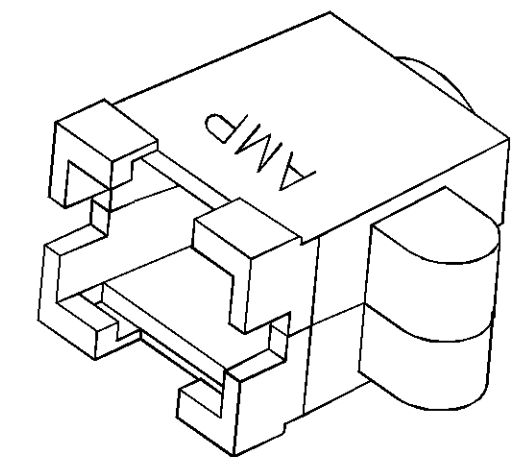
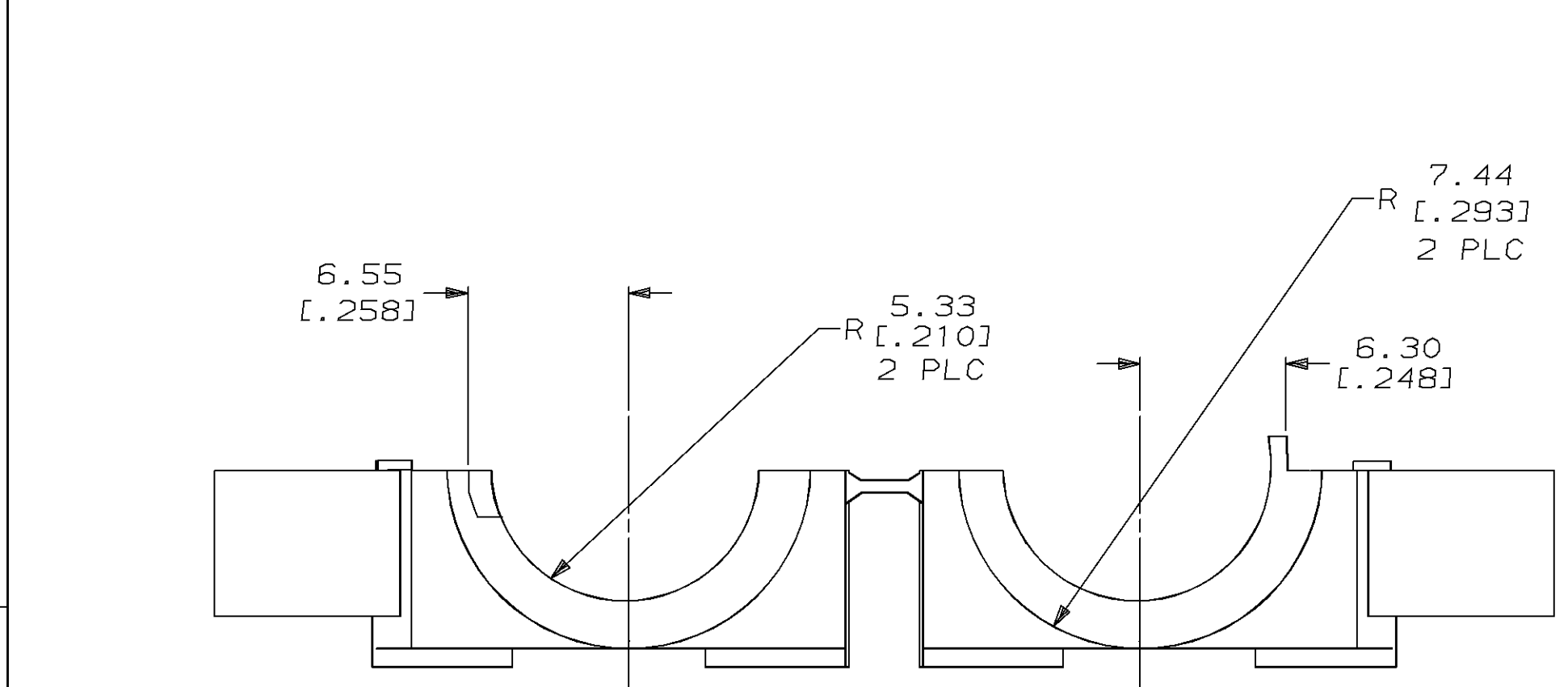
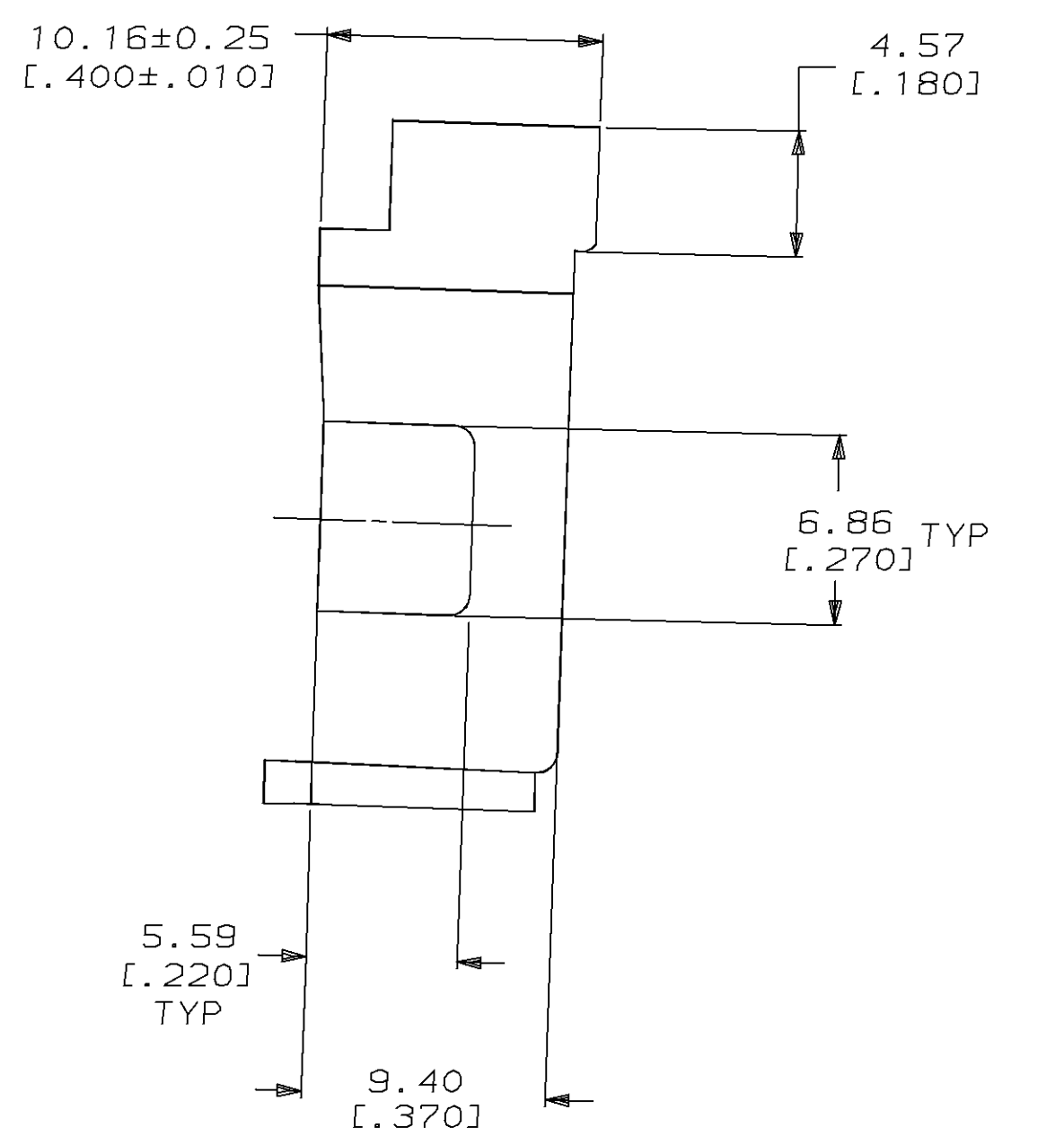
Address: A1208, Overseas Decoration Building, #122 Zhenhua RD., Futian, Shenzhen, China



LOC	DIST	P	F	ZONE	LTR	REVISIONS	DATE	APPD
CM	52					REV & REDWN PER EC 0730-0072-94	6-9-93	K5

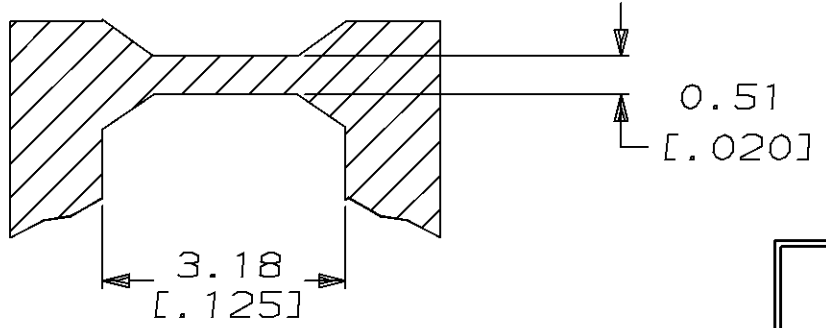


- REQUIRES A #6 PAN HEAD TYPE "B" SELF TAPPING PAN HEAD SCREW, 9.53 [.375] LONG.
- DIMENSIONS IN BRACKETS ARE IN INCHES.



3-DIMENSIONAL MODEL NTS

COLOR	PART NO
BLACK	1-350522-9
BRICK RED	350522-1



SECTION A-A  
SCALE 10:1

**METRIC**

THIS DRAWING IS A CONTROLLED DOCUMENT FOR AMP INCORPORATED. IT IS SUBJECT TO CHANGE AND THE CONTROLLING ENGINEERING ORGANIZATION SHOULD BE CONTACTED FOR THE LATEST REVISION.

DO NOT SCALE PRINT. UNLESS SPECIFIED DIMENSIONS IN mm [INCHES] TOLERANCES ON:	DR 6-9-93 K. SALMON	AMP Incorporated Harrisburg, PA 17105-3608		
2 PLC DEC ± 0.13 [.005]	CHK 6-9-93 R. SWING			
3 PLC DEC ± -	APPD - W. LONG	NAME		
ANGLES ± -	APPD - W. LONG	STRAIN RELIEF, HINGED, 9 POSITION		
MATERIAL NYLON	PRODUCT SPEC -	SIZE C	CAGE CODE 00779	DRAWING NO G=350522
FINISH COLOR, SEE TABLE	APPLICATION SPEC -	SCALE 4:1	SHEET 1 OF 1	
	WEIGHT -	CUSTOMER DRAWING		