



Chipsmall Limited consists of a professional team with an average of over 10 year of expertise in the distribution of electronic components. Based in Hongkong, we have already established firm and mutual-benefit business relationships with customers from,Europe,America and south Asia,supplying obsolete and hard-to-find components to meet their specific needs.

With the principle of “Quality Parts,Customers Priority,Honest Operation,and Considerate Service”,our business mainly focus on the distribution of electronic components. Line cards we deal with include Microchip,ALPS,ROHM,Xilinx,Pulse,ON,Everlight and Freescale. Main products comprise IC,Modules,Potentiometer,IC Socket,Relay,Connector.Our parts cover such applications as commercial,industrial, and automotives areas.

We are looking forward to setting up business relationship with you and hope to provide you with the best service and solution. Let us make a better world for our industry!



Contact us

Tel: +86-755-8981 8866 Fax: +86-755-8427 6832

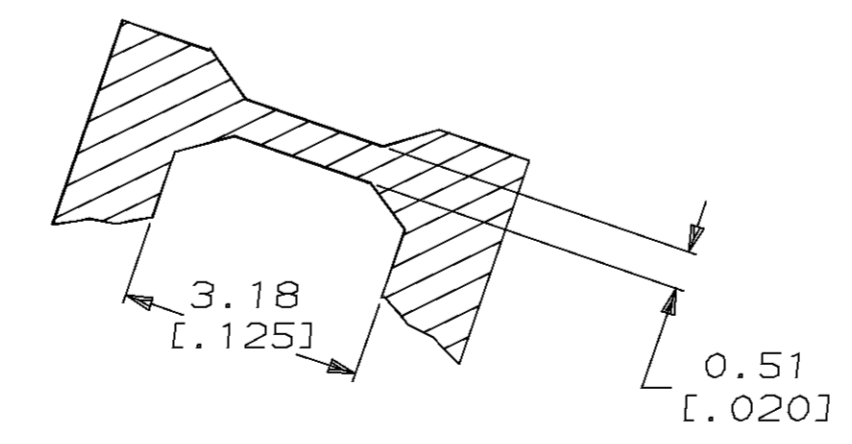
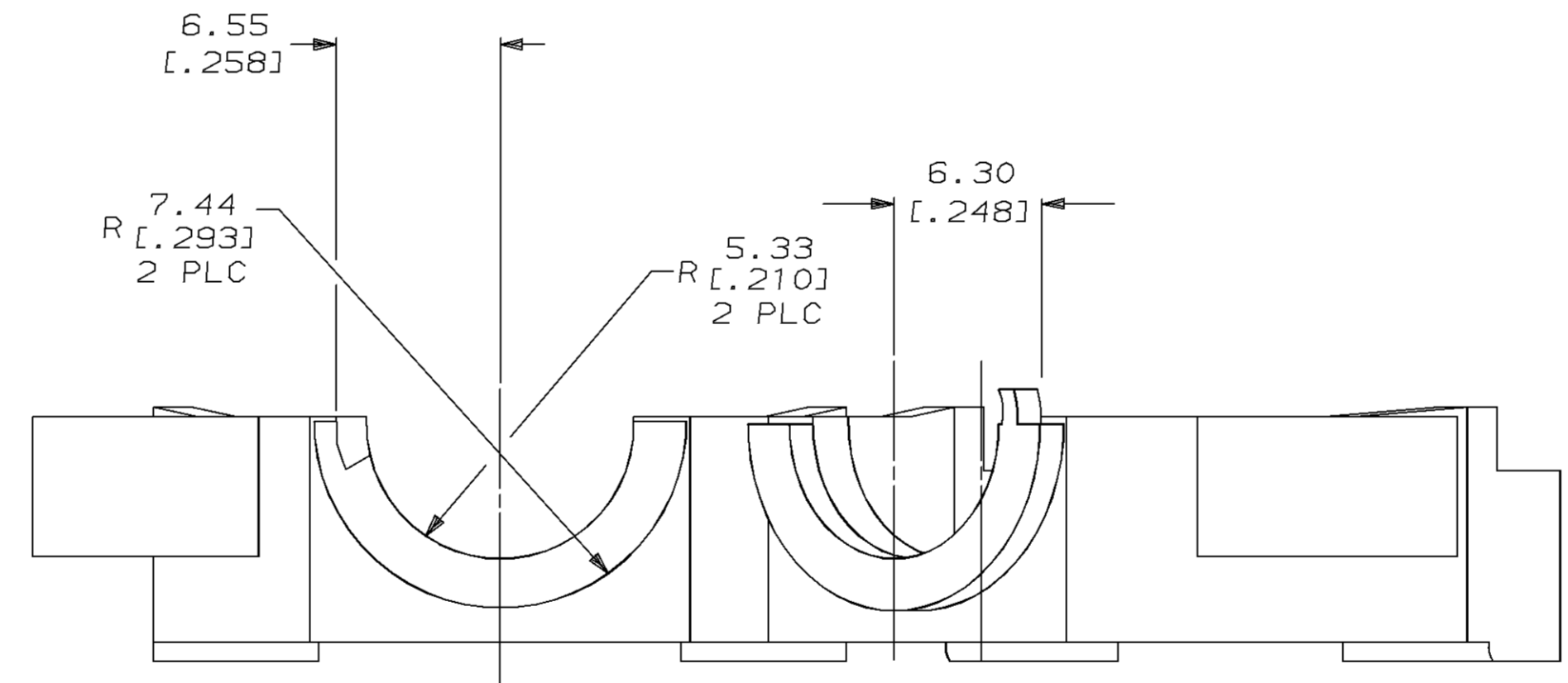
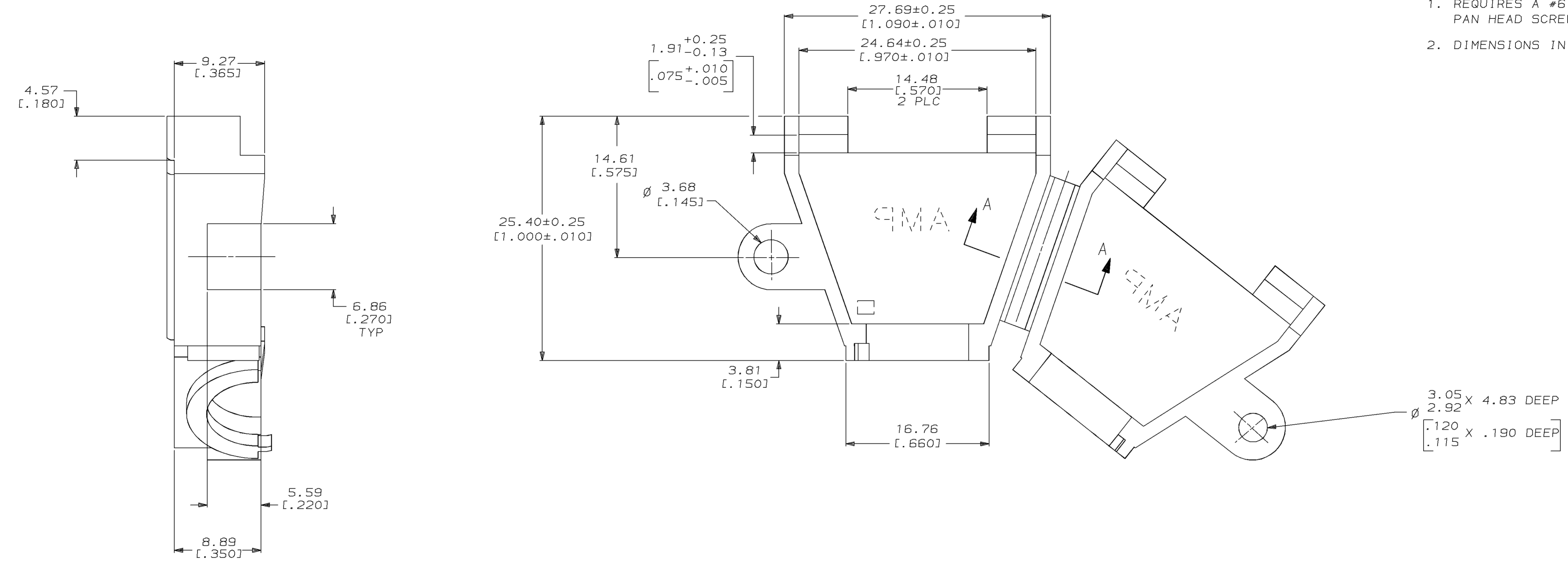
Email & Skype: info@chipsmall.com Web: www.chipsmall.com

Address: A1208, Overseas Decoration Building, #122 Zhenhua RD., Futian, Shenzhen, China

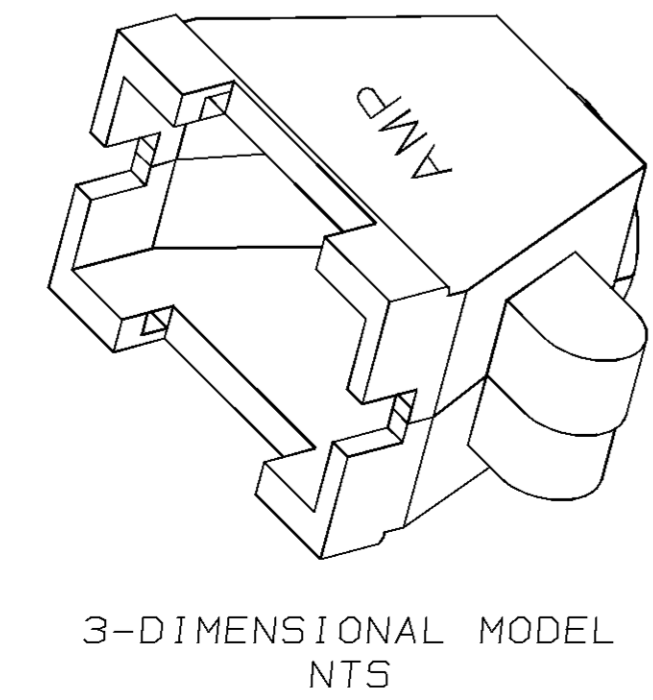


LOC		DIST		ZONE		LTR		REVISIONS			
CM	52	P	F					DESCRIPTION	DATE	APPD	
								J	REV & REDWN PER EC 0730-0072-94	8-26-93	K5 RS

- REQUIRES A #6 PAN HEAD TYPE "B" SELF TAPPING PAN HEAD SCREW, 9.53 [.375] LONG.
- DIMENSIONS IN BRACKETS ARE IN INCHES.



SECTION A-A
SCALE 10:1



METRIC

THIS DRAWING IS A CONTROLLED DOCUMENT FOR AMP INCORPORATED. IT IS SUBJECT TO CHANGE AND THE CONTROLLING ENGINEERING ORGANIZATION SHOULD BE CONTACTED FOR THE LATEST REVISION.

BLACK	1-359523-9
BRICK RED	350523-1
COLOR	PART NO

DO NOT SCALE PRINT. UNLESS SPECIFIED DIMENSIONS IN mm [INCHES] TOLERANCES ON : 2 PLC DEC ± 0.13(.005) 3 PLC DEC ± - ANGLES ± -		DR 8-26-93 K. SALMON		AMP AMP Incorporated Harrisburg, PA 17105-3608	
MATERIAL NYLON		CHK 8-26-93 R. SWING			
FINISH COLOR, SEE TABLE		APPD - W. LONG		NAME STRAIN RELIEF, HINGED, 15 POSITION	
		APPD - W. LONG		DRAWING NO ©-350523	
		APPLICATION SPEC -		SIZE D	CAGE CODE 00779
		WEIGHT -		SCALE 4:1	SHEET 1 OF 1

CUSTOMER DRAWING