



Chipsmall Limited consists of a professional team with an average of over 10 year of expertise in the distribution of electronic components. Based in Hongkong, we have already established firm and mutual-benefit business relationships with customers from,Europe,America and south Asia,supplying obsolete and hard-to-find components to meet their specific needs.

With the principle of “Quality Parts,Customers Priority,Honest Operation,and Considerate Service”,our business mainly focus on the distribution of electronic components. Line cards we deal with include Microchip,ALPS,ROHM,Xilinx,Pulse,ON,Everlight and Freescale. Main products comprise IC,Modules,Potentiometer,IC Socket,Relay,Connector.Our parts cover such applications as commercial,industrial, and automotives areas.

We are looking forward to setting up business relationship with you and hope to provide you with the best service and solution. Let us make a better world for our industry!



## Contact us

Tel: +86-755-8981 8866 Fax: +86-755-8427 6832

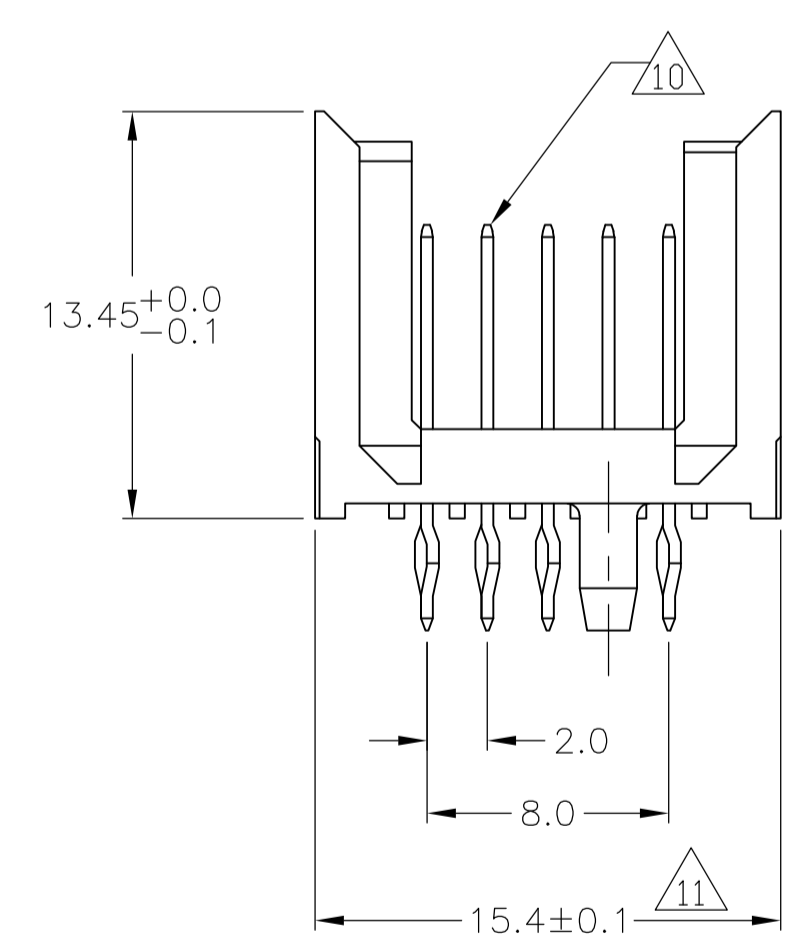
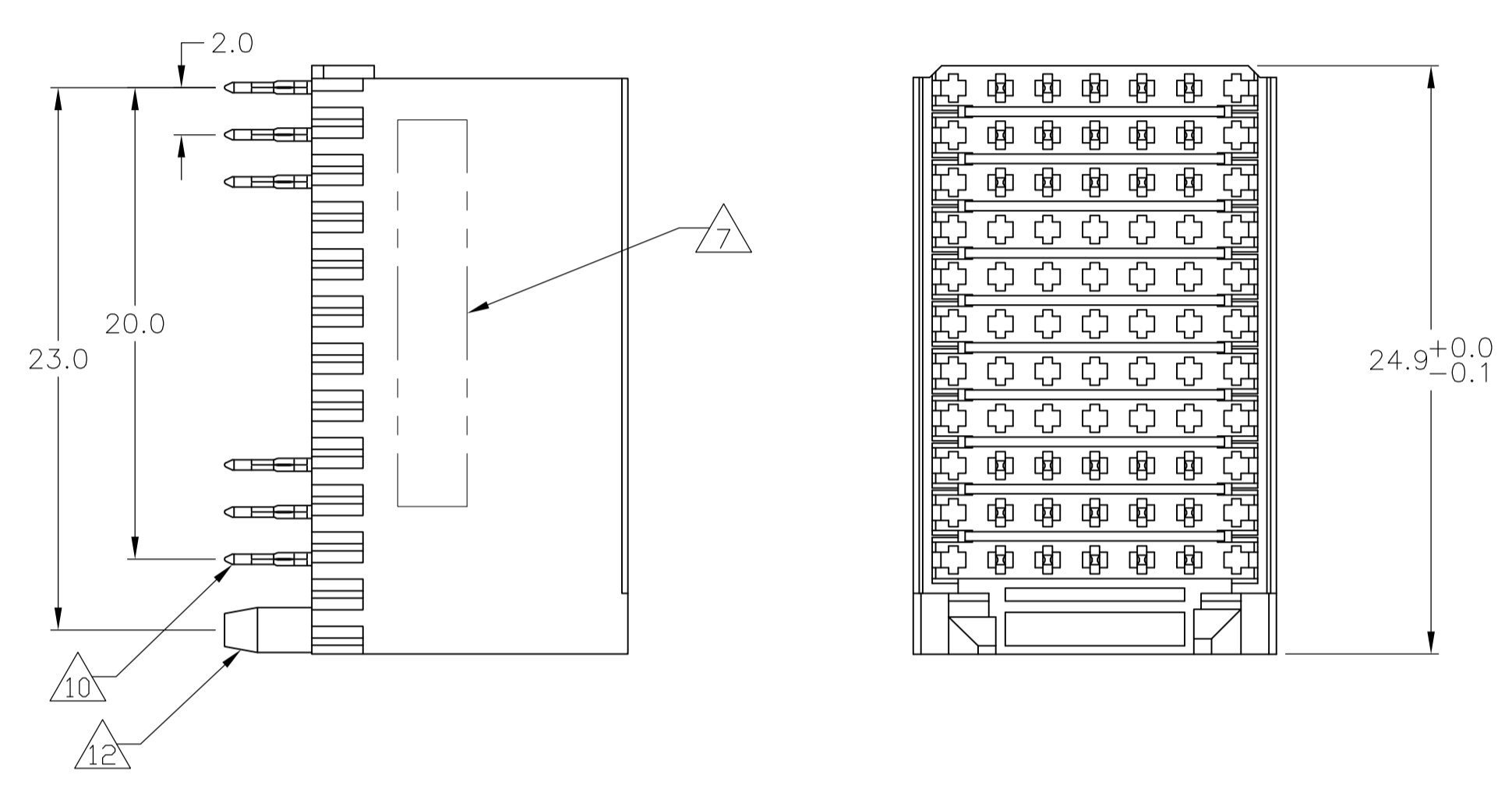
Email & Skype: info@chipsmall.com Web: www.chipsmall.com

Address: A1208, Overseas Decoration Building, #122 Zhenhua RD., Futian, Shenzhen, China

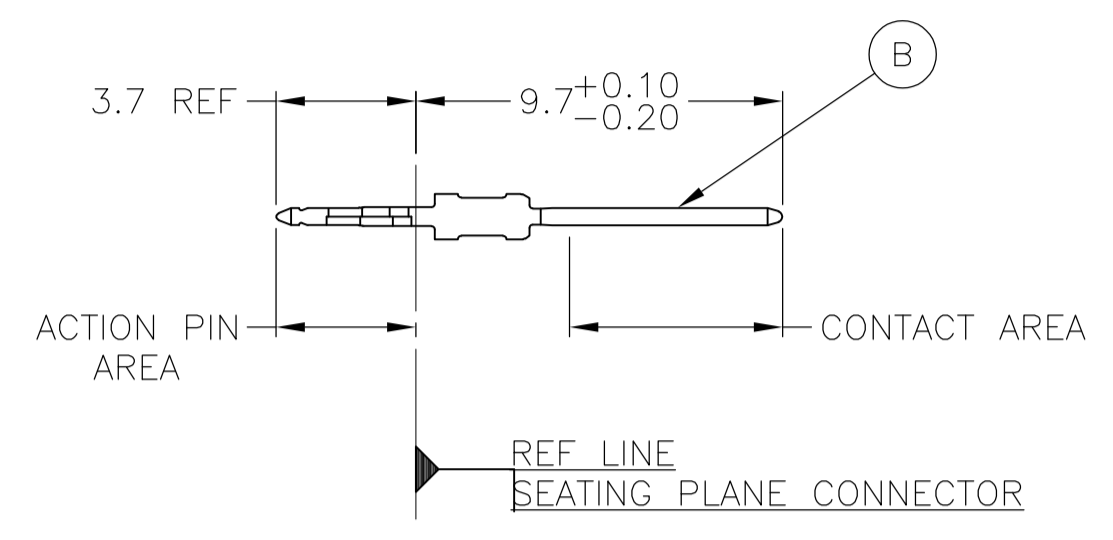


LOC		DIST		REVISIONS			
P	LTR	DESCRIPTION	DATE	DMN	APVD		
C		REVISED PER ECN 0512-0304-05	15JUN06	JDP	GES		
D		ECR-10-018652	10SEP10	SW	MQW		
E		ECR-12-009864	04DEC12	SY	AC		

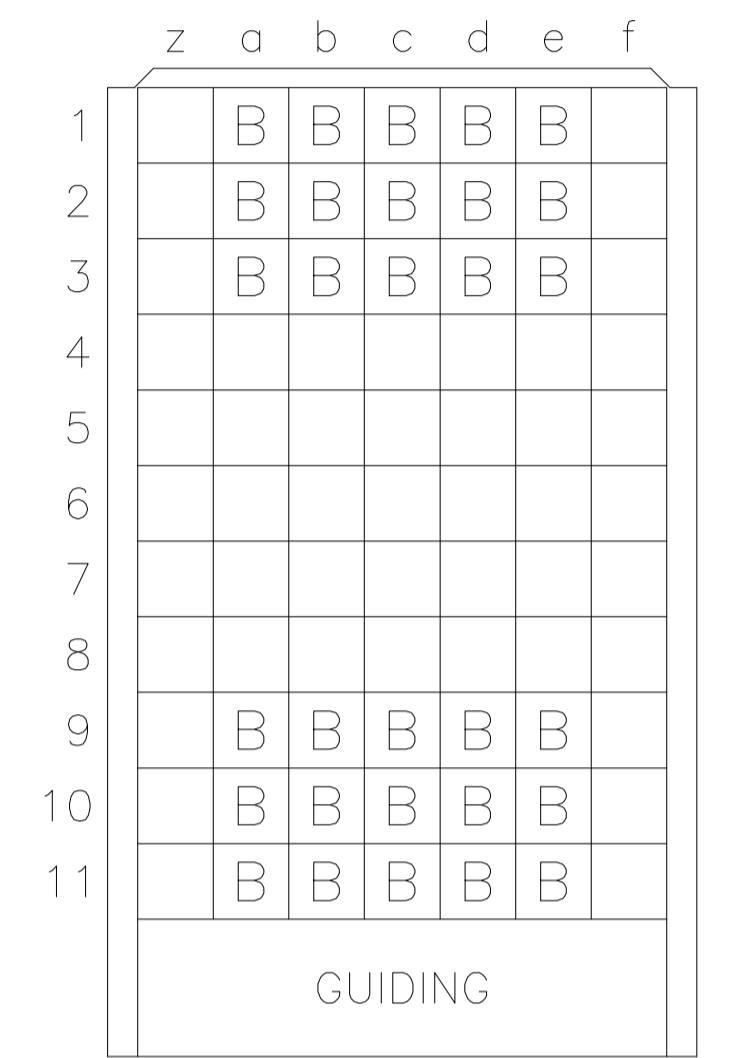
### CONNECTOR ASSEMBLY EXAMPLARY LOADED



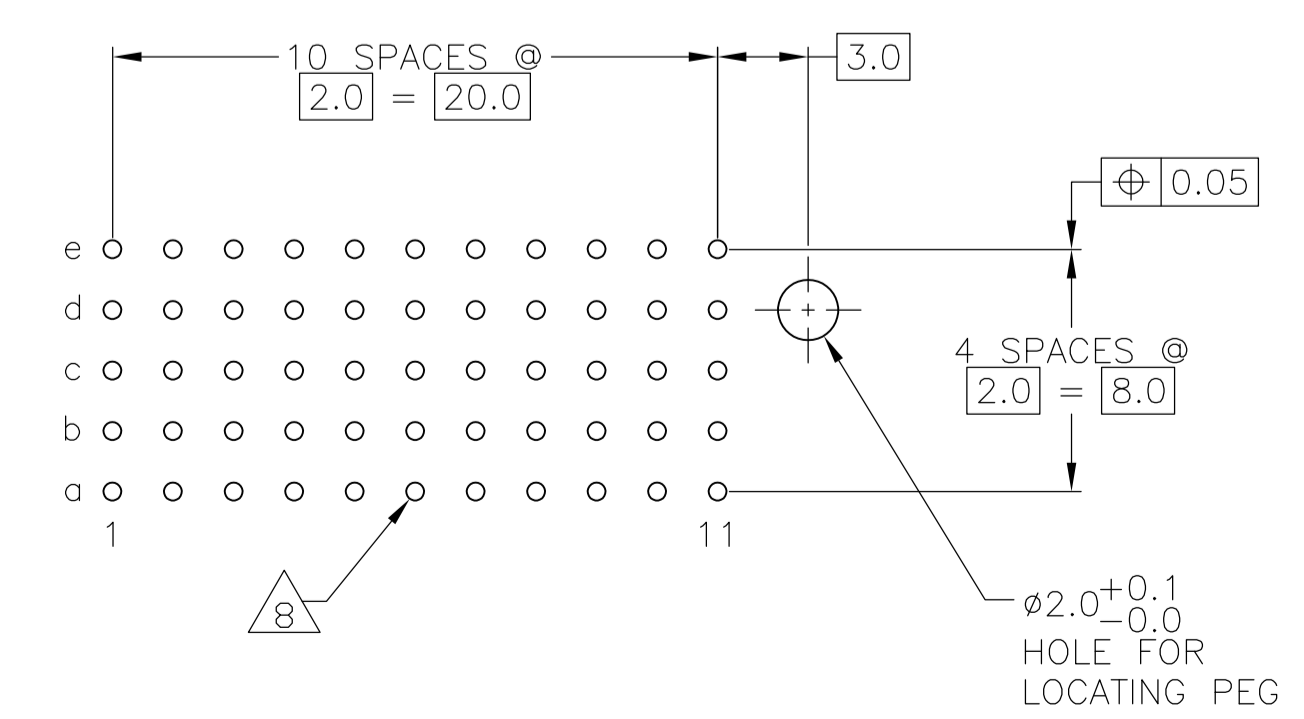
### CONTACT DIMENSIONS SCALE 5:1



### CONTACT LAYOUT



### RECOMMENDED PCB-HOLE LAYOUT COMPONENT SIDE SHOWN



### PLATED THRU HOLES PARAMETERS REFERENCE APPLICATION SPECIFICATION

OBSOLETE	2 6 13	1-352408-9
	2 5 13	352408-9
	2 4	352408-4
	2 3	352408-1
FINISH		PART NUMBER

THIS DRAWING IS A CONTROLLED DOCUMENT.

DIMENSIONS: mm	TOLERANCES UNLESS OTHERWISE SPECIFIED: 0-PLC ± 1-PLC ± 0.2 2-PLC ± 0.02 3-PLC ± 0.005 4-PLC ± 0.002 ANGLES ± 0.30°	DIN B CARBO 01AUG05 CHK G SKIPPER 01AUG05 APVD G SKIPPER 01AUG05 PRODUCT SPEC 108-19082 APPLICATION SPEC 114-19029	Tyco Electronics Corporation Harrisburg, Pa 17105-3608 NAME MALE ASSEMBLY, Z-PACK 2mm HM, TYPE C SIZE CAGE CODE DRAWING NO A1 00779 C=352408 RESTRICTED TO
MATERIAL 1	FINISH SEE TABLE	WEIGHT	CUSTOMER DRAWING SCALE 4:1 SHEET 1 OF 2 REV E

LOC		DIST		REVISIONS				
P	LTR	DESCRIPTION	DATE	DWN	APVD			
AD	00	SEE SHEET 1	-	-	-			

- 1 MATERIAL:  
CONTACT: PHOSPHOR BRONZE.  
HOUSING: GLASS-FILLED POLYESTER.
- 2 GENERAL PLATING SPECIFICATION: UNDERPLATING  
(ENTIRE CONTACT): 1.27µm MIN NICKEL AND ACTION  
PIN: 0.5µm MIN TIN/LEAD.  
FOR PLATING OF MATING SURFACES SEE APPLICABLE  
SPECIFICATION REFERENCE FOR EACH DASH NUMBER.
- 3 CONFORMS TO ALL TESTING ACCORDING TO IEC 61076-4-101  
PERFORMANCE LEVEL 2.
- 4 CONFORMS TO ALL TESTING ACCORDING TO IEC 61076-4-101  
PERFORMANCE LEVEL 1.
- 5 CONNECTOR TESTED AND QUALIFIED AGAINST TELCORDIA GR-1217-CORE QUALITY LEVEL 3,  
CENTRAL OFFICE APPLICATIONS.
- 6 CONNECTOR TESTED AND QUALIFIED AGAINST TELCORDIA GR-1217-CORE QUALITY LEVEL 3,  
UNCONTROLLED ENVIROMENT APPLICATIONS.
- 7 CONNECTOR MARKED WITH PART NUMBER AND DATE CODE.  
ADDITIONAL CHARACTERS OR MARKINGS, AS WELL AS THE LOCATION OF THE MARKINGS,  
MAY BE ADDED FOR TRACEABILITY BASED UPON MANUFACTURERS DISCRETION.
- 8 PLATED-THROUGH HOLES AT 2x2mm SQUARE GRID  
PATTERN DEFINED BY CONTACT LAYOUT.
- 9 FOR ACTUAL PIN LOADING SEE "CONTACT LAYOUT".
- 10 FOR ACTUAL PIN DIMENSIONS SEE "CONTACT DIMENSIONS".
- 11 TO BE MEASURED AT BOTTOM OF SHROUD.
- 12 LOCATION PEG.
- 13 CONNECTOR LUBRICATED WITH BELCORE APPROVED LUBRICANT.  
TECHNICAL REFERENCE: TR-NWT-001217 ISSUE 1, SEP 1992.

THIS DRAWING IS A CONTROLLED DOCUMENT.		DWN B CARBO 01AUG05	Tyco Electronics Corporation Harrisburg, Pa 17105-3608																		
DIMENSIONS: mm		CHK G.SKIPPER 01AUG05	Tyco Electronics																		
TOLERANCES UNLESS OTHERWISE SPECIFIED:		APVD G.SKIPPER 01AUG05	NAME MALE ASSEMBLY, Z-PACK 2mm HM, TYPE C																		
<table border="0"> <tr><td>0-PLG</td><td>±</td><td></td></tr> <tr><td>1-PLG</td><td>±</td><td>0.2</td></tr> <tr><td>2-PLG</td><td>±</td><td>0.02</td></tr> <tr><td>3-PLG</td><td>±</td><td>0.005</td></tr> <tr><td>4-PLG</td><td>±</td><td></td></tr> <tr><td>ANGLES</td><td>±</td><td>0.30°</td></tr> </table>		0-PLG	±		1-PLG	±	0.2	2-PLG	±	0.02	3-PLG	±	0.005	4-PLG	±		ANGLES	±	0.30°	PRODUCT SPEC 108-19082	
0-PLG	±																				
1-PLG	±	0.2																			
2-PLG	±	0.02																			
3-PLG	±	0.005																			
4-PLG	±																				
ANGLES	±	0.30°																			
MATERIAL SEE SHEET 1		APPLICATION SPEC 114-19029		RESTRICTED TO -																	
FINISH SEE SHEET 1		SIZE A1	CAGE CODE 00779	DRAWING NO 352408																	
CUSTOMER DRAWING		WEIGHT -	SCALE 4:1	SHEET 2 OF 2																	