



Chipsmall Limited consists of a professional team with an average of over 10 year of expertise in the distribution of electronic components. Based in Hongkong, we have already established firm and mutual-benefit business relationships with customers from,Europe,America and south Asia,supplying obsolete and hard-to-find components to meet their specific needs.

With the principle of “Quality Parts,Customers Priority,Honest Operation,and Considerate Service”,our business mainly focus on the distribution of electronic components. Line cards we deal with include Microchip,ALPS,ROHM,Xilinx,Pulse,ON,Everlight and Freescale. Main products comprise IC,Modules,Potentiometer,IC Socket,Relay,Connector.Our parts cover such applications as commercial,industrial, and automotives areas.

We are looking forward to setting up business relationship with you and hope to provide you with the best service and solution. Let us make a better world for our industry!



Contact us

Tel: +86-755-8981 8866 Fax: +86-755-8427 6832

Email & Skype: info@chipsmall.com Web: www.chipsmall.com

Address: A1208, Overseas Decoration Building, #122 Zhenhua RD., Futian, Shenzhen, China



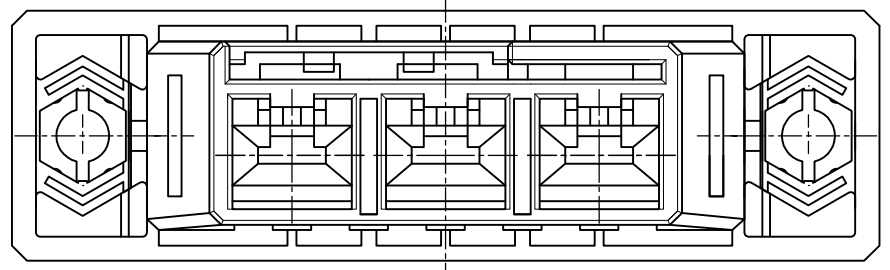
LOC	DIST	REVISIONS					
J		P	LTR	DESCRIPTION	DATE	DWN	APVD
		E2		REVISED PER ECO-11-005030	23MAR11	RK	HMR

注記

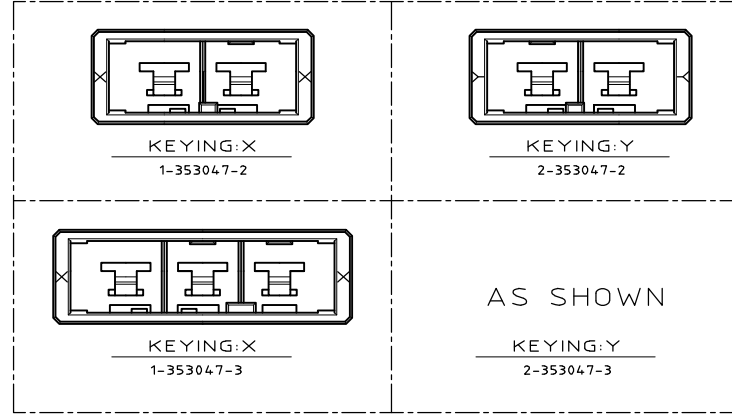
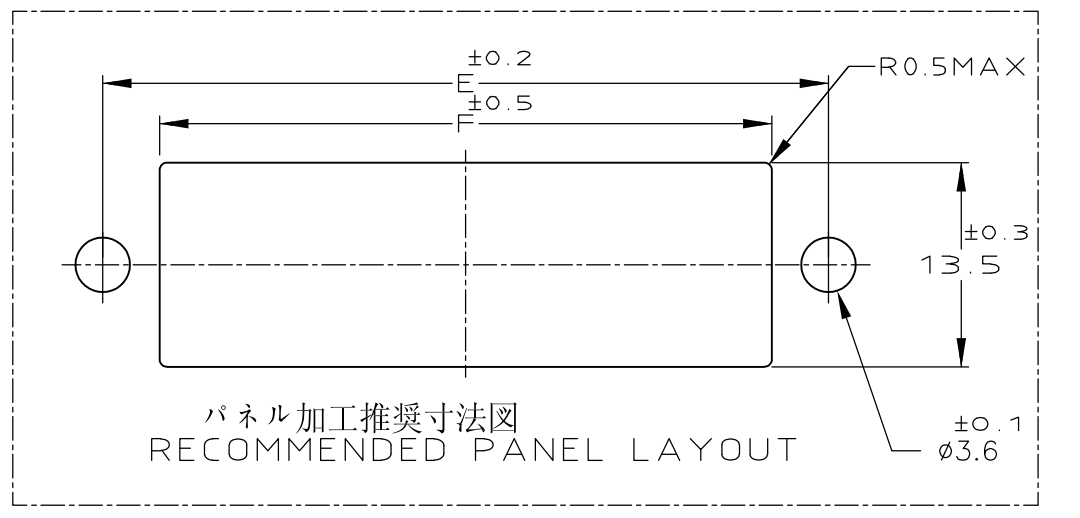
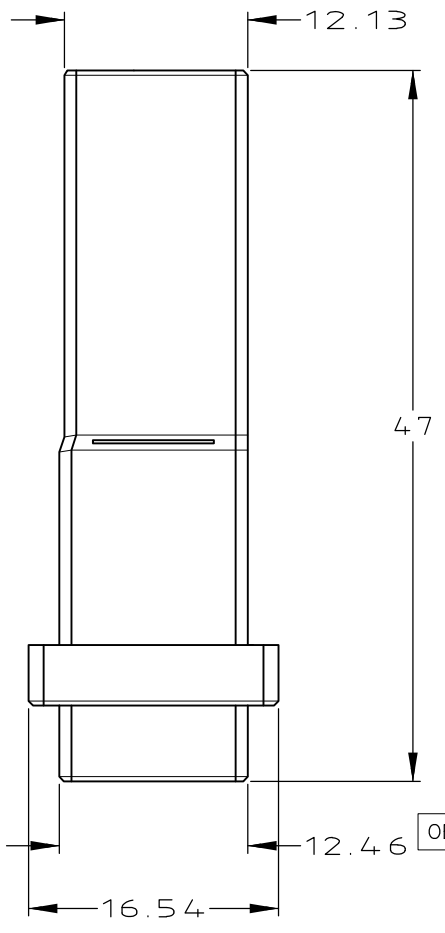
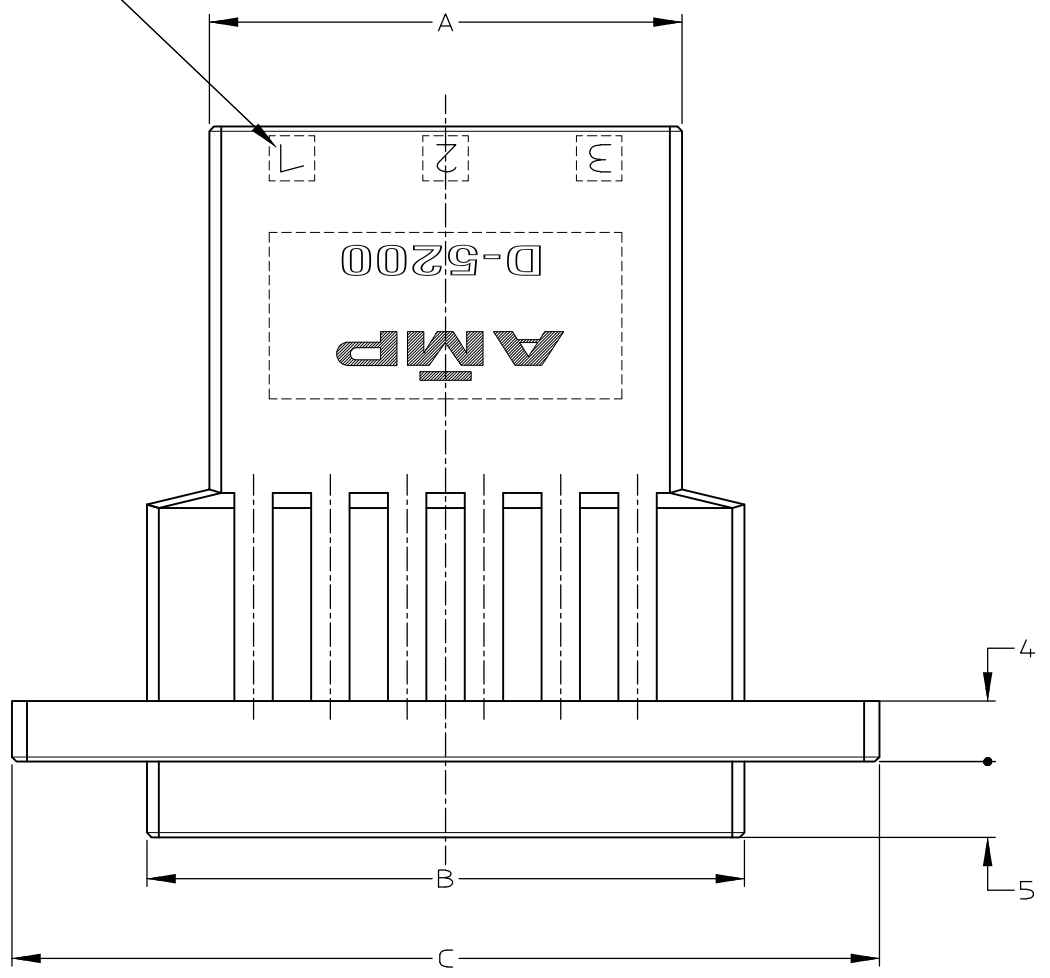
- △ 材料: ハウジング: ガラス入り熱可塑性ポリエステル樹脂(94V-0)、色: 黒
- △ ハウジング全面にテフロン塗装のこと
- 3 パネル取付推奨ネジ M3

NOTES

- △ MATERIAL: HOUSING: GLASS FILED THERMO PLASTIC, POLYESTER (94-V-0), COLOR: BLACK
- △ TO COAT ALL SURFACE OF HOUSING WITH TEFLON
- 3 PANEL ATTACHMENT RECOMMENDATION M3 SCREW

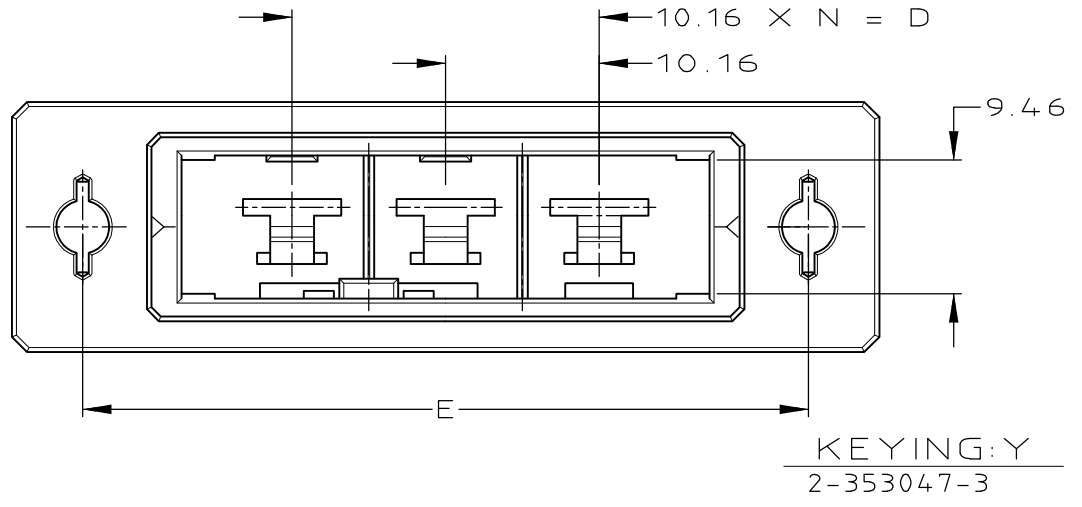


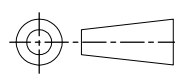

CIRCUIT NO.
回路番号



FINISH	A	B	C	D	E	F	N	POS	P/N
	31.27	39.52	57	20.32	48	40.5	2	3	5-353047-3
									2-353047-3
									1-353047-3
									2-353047-2
	21.11	29.36	47	10.16	38	30.4	1	2	1-353047-2

WIRE RANGE 抱合電線断面積 T1
INSULATION DIA 被覆外径 T1



DIMENSIONS: 単位 耗 mm  MATERIAL 材料	TOLERANCES UNLESS OTHERWISE SPECIFIED 一般公差 10: ±0.2 30: >10: ±0.25 100: >30: ±0.3 ANGLE: ±0.3°	DWN K. IKEDA 16/MAY/'96 CHK Y. Ishikawa 16/MAY/'96 APVD S. Manabe 17/MAY/'96	 TE Connectivity		
		PRODUCT SPEC 製品規格 108-5453	NAME 1列 タブ ハウジング パネルマウント タイプ SINGLE ROW TAB HSG (PANEL MOUNT) <DYNAMIC D-5200 S>		
		APPLICATION SPEC 取付適用規格 114-5206	SIZE A3 CAGE CODE 00779 DRAWING NO. 番号 C-353047	SCALE 2-1 SHEET 1 OF 1 REV E2	
		WEIGHT T1 CUSTOMER DRAWING			