



Chipsmall Limited consists of a professional team with an average of over 10 year of expertise in the distribution of electronic components. Based in Hongkong, we have already established firm and mutual-benefit business relationships with customers from,Europe,America and south Asia,supplying obsolete and hard-to-find components to meet their specific needs.

With the principle of “Quality Parts,Customers Priority,Honest Operation,and Considerate Service”,our business mainly focus on the distribution of electronic components. Line cards we deal with include Microchip,ALPS,ROHM,Xilinx,Pulse,ON,Everlight and Freescale. Main products comprise IC,Modules,Potentiometer,IC Socket,Relay,Connector.Our parts cover such applications as commercial,industrial, and automotives areas.

We are looking forward to setting up business relationship with you and hope to provide you with the best service and solution. Let us make a better world for our industry!



Contact us

Tel: +86-755-8981 8866 Fax: +86-755-8427 6832

Email & Skype: info@chipsmall.com Web: www.chipsmall.com

Address: A1208, Overseas Decoration Building, #122 Zhenhua RD., Futian, Shenzhen, China

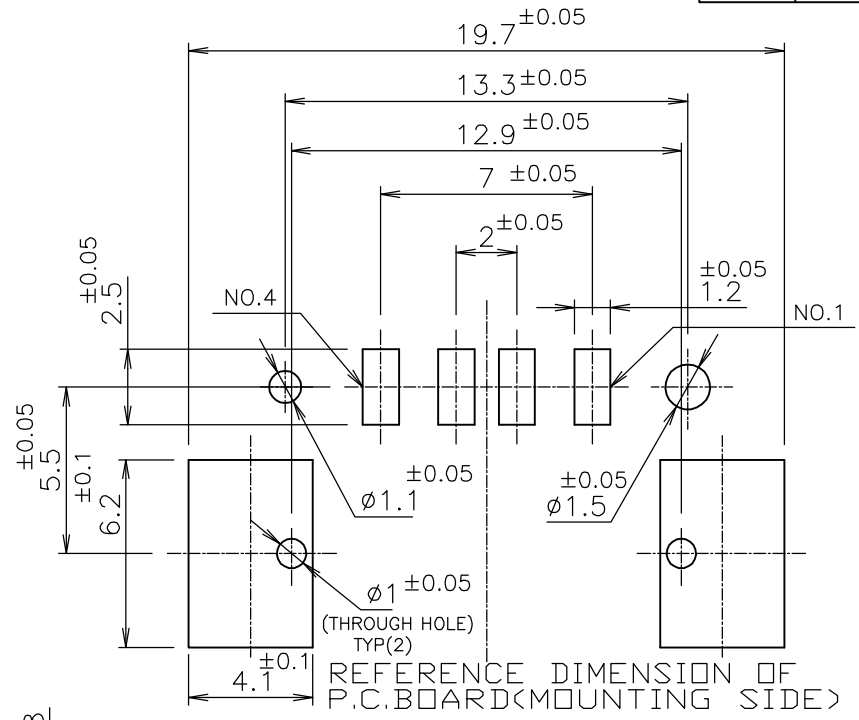
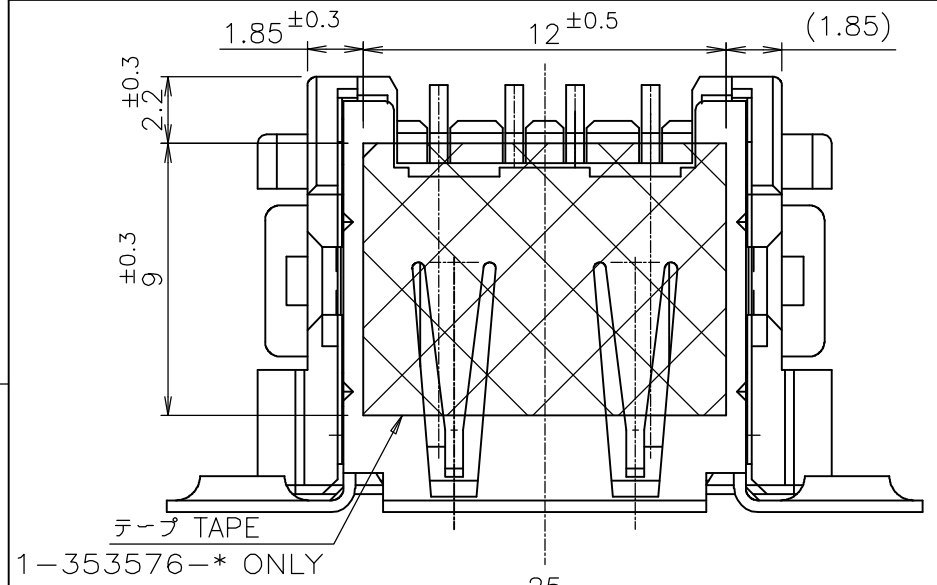


THIS DRAWING IS UNPUBLISHED. RELEASED FOR PUBLICATION

© COPYRIGHT BY TYCO ELECTRONICS CORPORATION. ALL RIGHTS RESERVED.

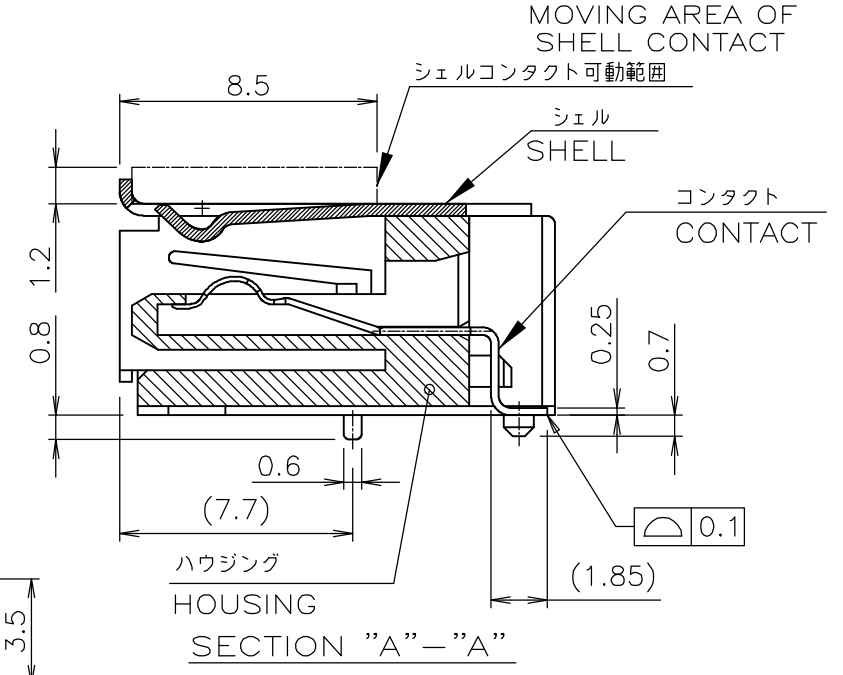
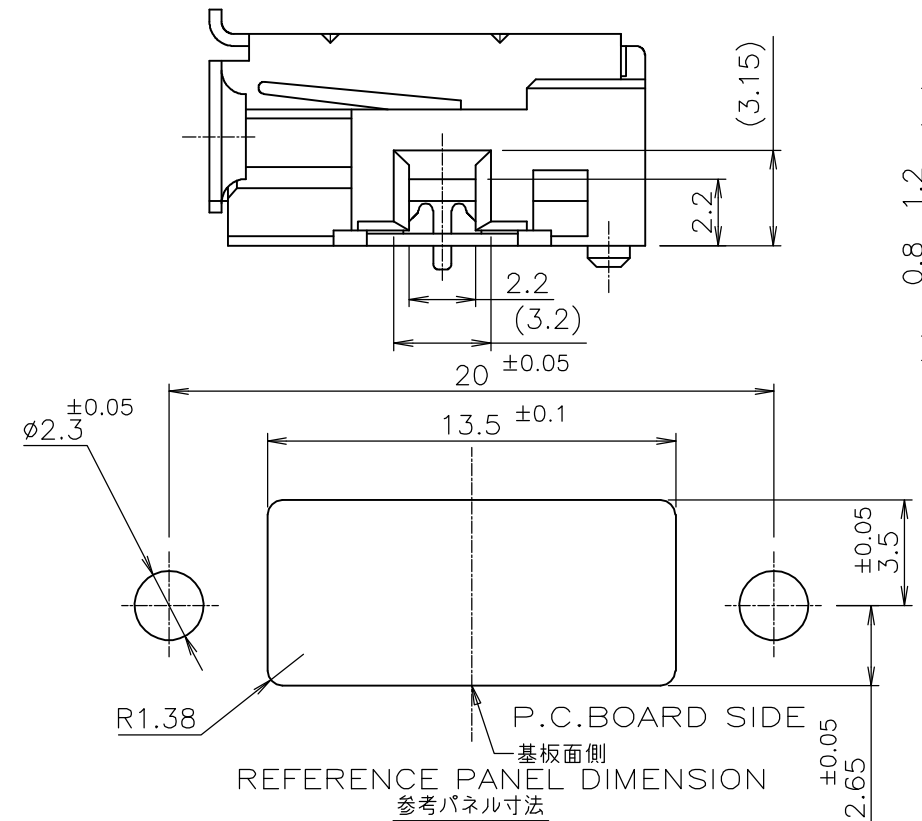
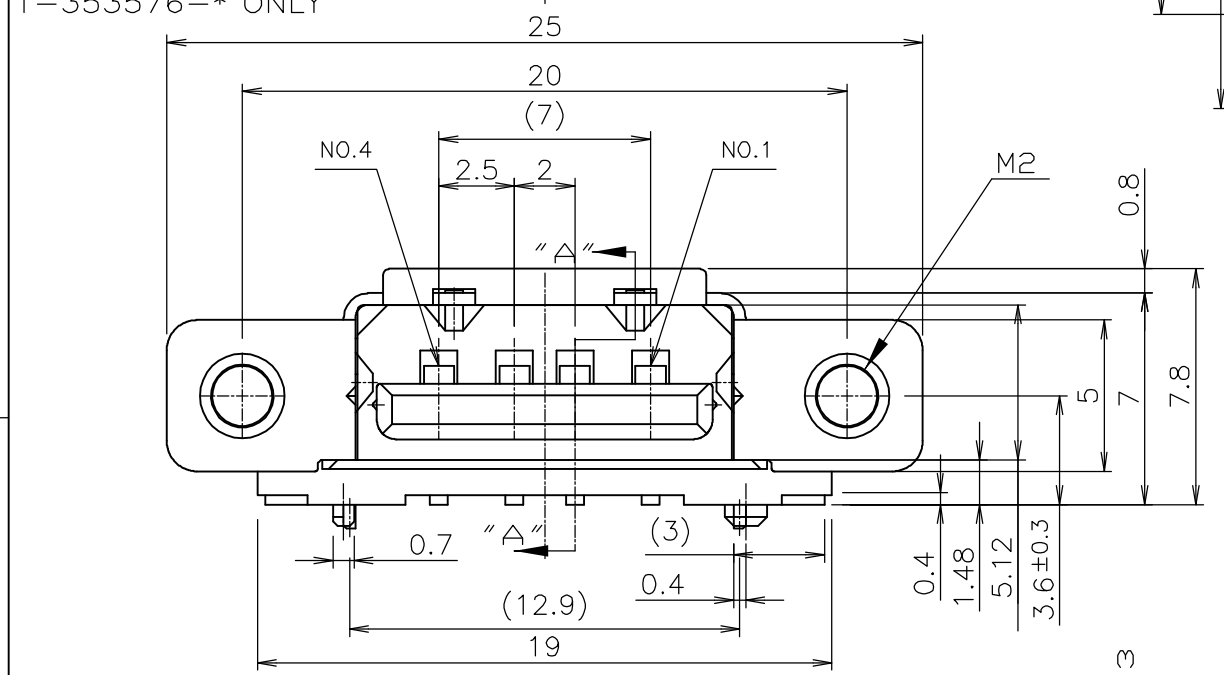
LOC J DIST -

REVISIONS			DATE	DWN	APVD
P	LTR	DESCRIPTION			
E		REVISED	09AUG05	Y.W	Y.Y



注記
 ▲ 材料及び表面処理
 コンタクト: 銅合金
 ニッケル下地
 接触部: パラジウムニッケルめっき上に金めっき
 タイン部: 半田めっき
 ハウジング: 熱可塑性樹脂, UL94V-0
 シェル: 銅合金
 半田めっき

NOTES
 ▲ MATERIAL & FINISH
 CONTACT: COPPER ALLOY
 Au PL. ON Pd-Ni PL. AT CONTACT AREA OVER Ni PL.
 TIN-LEAD PL. AT TINE AREA OVER Ni PL.
 HOUSING: THERMO-PLASTICS, UL94V-0
 SHELL: COPPER ALLOY, TIN-LEAD PL.



HOUSING COLOR	REMARKS	PART NO.
BLACK	WITH TAPE	1-353576-2
WHITE	WITH TAPE	1-353576-1
WHITE	WITH OUT TAPE	353576-1

THIS DRAWING IS A CONTROLLED DOCUMENT.		DWN Y. WATANABE 21JAN'97
DIMENSIONS: 単位: 耗 MM		CHK T. YAMADA 22JAN'97
TOLERANCES UNLESS OTHERWISE SPECIFIED: 一般公差		APVD T. YAMADA 22JAN'97
0 PLC ± 0.3	1 PLC ± 0.3	PRODUCT SPEC 製品規格 108-5563
2 PLC ± 0.3	3 PLC ± 0.3	APPLICATION SPEC 取付適用規格
4 PLC ± 0.3	ANGLES ± 5	WEIGHT
MATERIAL 材料	FINISH 仕上	CUSTOMER DRAWING

tyco Electronics		Tyco Electronics AMP K.K. Kawasaki, Japan	
RECEPTACLE ASSY R/A SMT REVERSE TYPE USB CONNECTOR			
SIZE A3	CAGE CODE 00779	DRAWING NO. C-353576	RESTRICTED TO
SCALE 尺度 4:1		SHEET 1 OF 1	REV E