



Chipsmall Limited consists of a professional team with an average of over 10 year of expertise in the distribution of electronic components. Based in Hongkong, we have already established firm and mutual-benefit business relationships with customers from,Europe,America and south Asia,supplying obsolete and hard-to-find components to meet their specific needs.

With the principle of “Quality Parts,Customers Priority,Honest Operation,and Considerate Service”,our business mainly focus on the distribution of electronic components. Line cards we deal with include Microchip,ALPS,ROHM,Xilinx,Pulse,ON,Everlight and Freescale. Main products comprise IC,Modules,Potentiometer,IC Socket,Relay,Connector.Our parts cover such applications as commercial,industrial, and automotives areas.

We are looking forward to setting up business relationship with you and hope to provide you with the best service and solution. Let us make a better world for our industry!



## Contact us

Tel: +86-755-8981 8866 Fax: +86-755-8427 6832

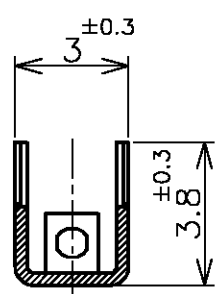
Email & Skype: info@chipsmall.com Web: www.chipsmall.com

Address: A1208, Overseas Decoration Building, #122 Zhenhua RD., Futian, Shenzhen, China

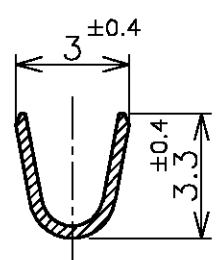


THIS DRAWING IS UNPUBLISHED. RELEASED FOR PUBLICATION DEC, 1996.  
 © COPYRIGHT 1996 BY TYCO ELECTRONICS CORPORATION. ALL RIGHTS RESERVED.

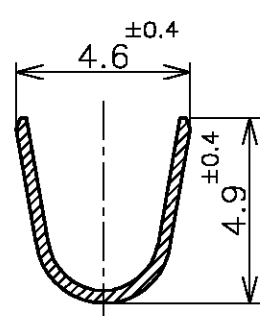
LOC	DIST	REVISIONS					
J		P	LTR	DESCRIPTION	DATE	DWN	APVD
		B		REVISED FJB0-0300-03	08MAY03	H.H	T.K



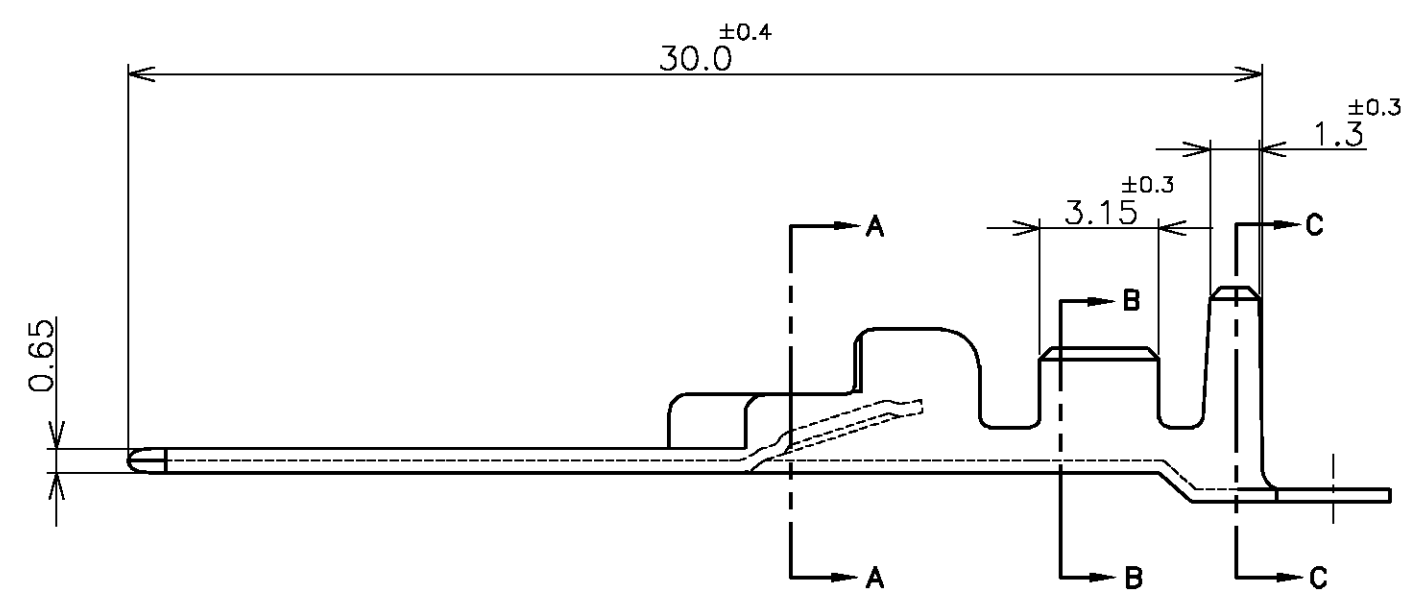
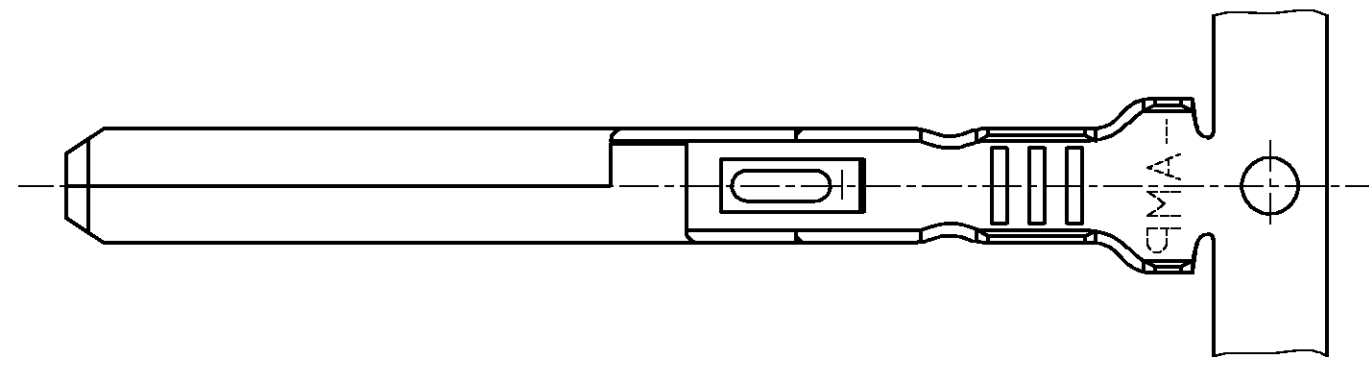
A-A



B-B



C-C



- ① 材料 : 銅合金
- ② 仕上げ : 全面ニッケル下地めっきの上に  
接触部 : 金めっき  
圧着部 : 半田めっき
- ③ 仕上げ : 全面錫めっき
- ④ 仕上げ : 材料めっき  
全面ニッケル下地めっきの上に  
接触部 : 金めっき  
圧着部 : 錫めっき
- 5 使用コネクタ型番 : X-353575-X
- ⑥ 一般公差  
10以下 : ±0.2  
10を越え30以下 : ±0.25  
30を越え100以下 : ±0.3  
角度 : ±3'

- ① MATERIAL : COPPER ALLOY.
- ② FINISH : NICKEL PL ALL OVER  
CONTACT AREA : GOLD PL.  
BAREL AREA : TIN-LEAD PL.
- ③ FINISH : TIN PL ALL OVER.
- ④ FINISH : PRE-PLATED  
NICKEL PL ALL OVER  
CONTACT AREA : GOLD PL.  
BAREL AREA : TIN PL.
- 5 USED CONNECTOR P/N : X-353575-X
- ⑥ GENERAL TOLERANCE  
10 ≥ : ±0.2  
30 ≥ >10 : ±0.25  
100 ≥ >30 : ±0.3  
ANGLES : ±3'

THIS DRAWING IS A CONTROLLED DOCUMENT.

DIMENSIONS: 単位: 概 MM	TOLERANCES UNLESS OTHERWISE SPECIFIED: 一般公差
	0 PLC ± ⑥ 1 PLC ± 2 PLC ± 3 PLC ± 4 PLC ± ANGLES ±
MATERIAL 材料	FINISH 仕上
①	② ③ ④

DWN	T.FUMIKURA	25DEC96
CHK	T.YAMADA	26DEC96
APVD	T.YAMADA	26DEC96
PRODUCT SPEC	製品規格	
APPLICATION SPEC	取付適用規格	
114-5238		
WEIGHT		
CUSTOMER DRAWING		

WIRE RANGE 適合電線断面積	0.85~1.25mm <sup>2</sup> (AWG#18~#16)	INSULATION DIA 被覆外径	φ2.73~3.43 mm
AVAILABLE	④	353581-3	
NOT AVAILABLE	③	1-353581-2	
AVAILABLE	②	353581-2	
TOOLING STATUS	仕上げ FINISH	P/N	
Tyco Electronics AMP K.K. Kawasaki, Japan		PLUG TAB CONTACT HYBRID MINI DRAWER CONNECTOR	
SIZE	A3	CAGE CODE	00779
DRAWING NO 番号	C-353581		RESTRICTED TO
SCALE 尺度 NTS			SHEET 1 OF 1
REV B			