



Chipsmall Limited consists of a professional team with an average of over 10 year of expertise in the distribution of electronic components. Based in Hongkong, we have already established firm and mutual-benefit business relationships with customers from,Europe,America and south Asia,supplying obsolete and hard-to-find components to meet their specific needs.

With the principle of “Quality Parts,Customers Priority,Honest Operation,and Considerate Service”,our business mainly focus on the distribution of electronic components. Line cards we deal with include Microchip,ALPS,ROHM,Xilinx,Pulse,ON,Everlight and Freescale. Main products comprise IC,Modules,Potentiometer,IC Socket,Relay,Connector.Our parts cover such applications as commercial,industrial, and automotives areas.

We are looking forward to setting up business relationship with you and hope to provide you with the best service and solution. Let us make a better world for our industry!



Contact us

Tel: +86-755-8981 8866 Fax: +86-755-8427 6832

Email & Skype: info@chipsmall.com Web: www.chipsmall.com

Address: A1208, Overseas Decoration Building, #122 Zhenhua RD., Futian, Shenzhen, China



4

3

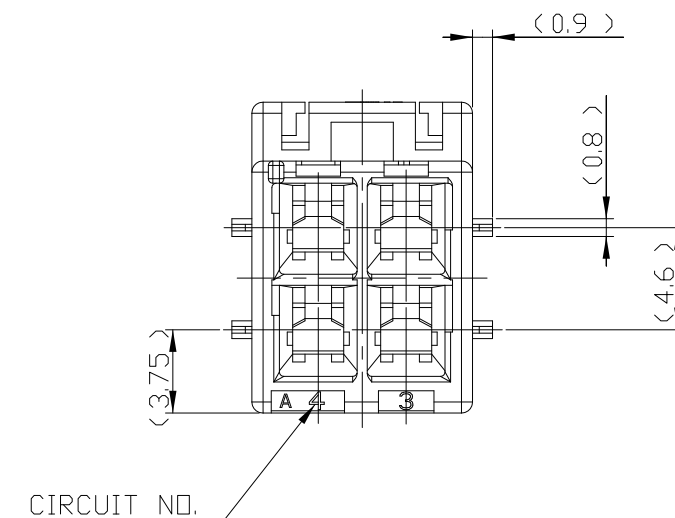
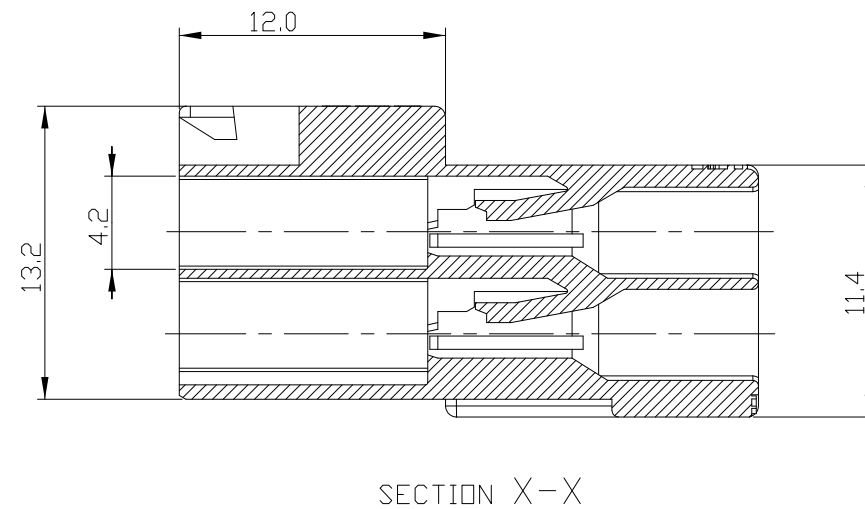
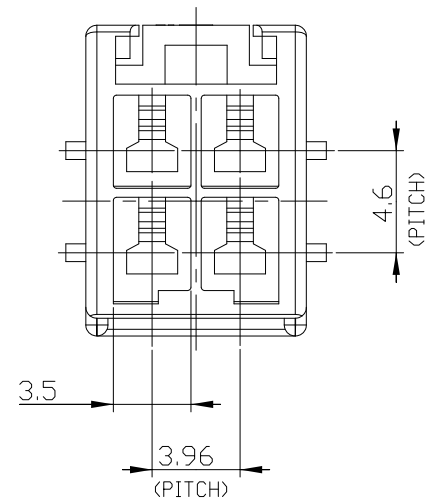
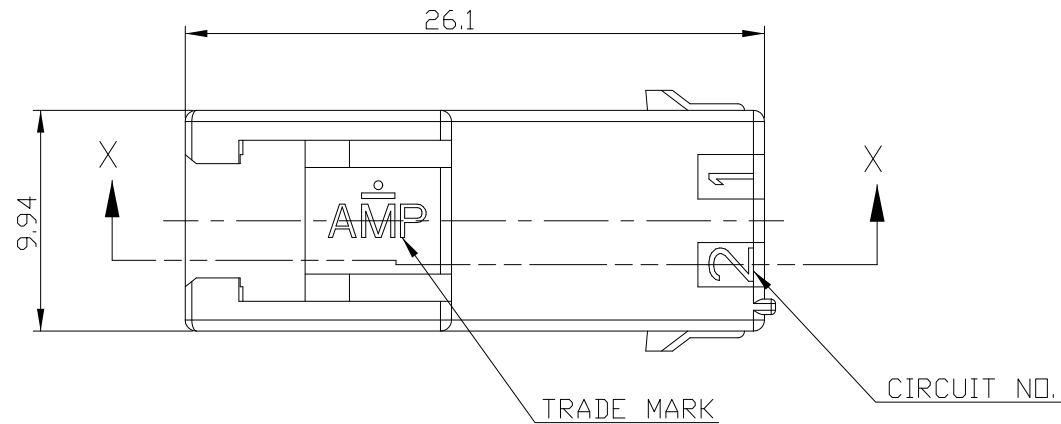
2

1

THIS DRAWING IS UNPUBLISHED. RELEASED FOR PUBLICATION 20
 © COPYRIGHT 20 BY TYCO ELECTRONICS CORPORATION. ALL RIGHTS RESERVED.

LOC	DIST	REVISIONS			
P	LTR	DESCRIPTION	DATE	DWN	APVD
DS	-	A	RELEASED	02.MAR'09	SC JK

NOTE;
 1.APPLICABLE CONTACT P/N
 -TAB CONTACT:177917-□(AWG#16-#20)
 177916-□(AWG#22-#26)
 2.MATING CONN.P/N
 -PLUG HSG: □-368575-□
 -REC CONTACT:177915-□(AWG#16-#20)
 177914-□(AWG#22-#26)
 3.APPLICABLE DOUBLE LOCK PLATE: □-368590-1
 4.GENERAL TOLERANCES:±0.3
 5.ACCORDING TO IEC 60335-1 4.2 EDITION
 -PART MEETS GWT 750° & 850°C.
 -MATERIAL MEETS BALL PRESSURE TESTING AT 125°C.
 -MATERIAL HAS CTI VALUE OF 250V.
 6.MIN.THICKNESS OF INSULATING MATERIAL
 BETWEEN ADJACENT POLES: 0.35mm



1-368587-6	PA66 UL94V-0	BLUE
1-368587-4		YELLOW
1-368587-2		RED
1-368587-1		NATURAL
368587-6	PA66 UL94V-2	BLUE
368587-4		YELLOW
368587-2		RED
368587-1		NATURAL
P/N	MATERIAL	COLOR

THIS DRAWING IS A CONTROLLED DOCUMENT FOR TYCO ELECTRONICS CORPORATION
 IT IS SUBJECT TO CHANGE AND THE CONTROLLING ENGINEERING ORGANIZATION
 SHOULD BE CONTACTED FOR THE LATEST REVISION.

DIMENSIONS:	TOLERANCES UNLESS OTHERWISE SPECIFIED:
mm	0 PLC ±
	1 PLC ±
	2 PLC ±
	3 PLC ±
	4 PLC ±
	ANGLES ±
MATERIAL	FINISH

DWN	SC KIM
CHK	BW KANG
APVD	JK SONG
PRODUCT SPEC	108-61106
APPLICATION SPEC	-
WEIGHT	-
CUSTOMER DRAWING	

AMP KOREA Kyungsan, Korea		NAME	
		PDL 4P CAP HSG 3.96mm D/R F/H (GWT)	
SIZE	CAGE CODE	DRAWING NO	RESTRICTED TO
A3	00779	368587	-
SCALE	N/A	SHEET	1 OF 1
		REV	A