



Chipsmall Limited consists of a professional team with an average of over 10 year of expertise in the distribution of electronic components. Based in Hongkong, we have already established firm and mutual-benefit business relationships with customers from,Europe,America and south Asia,supplying obsolete and hard-to-find components to meet their specific needs.

With the principle of “Quality Parts,Customers Priority,Honest Operation,and Considerate Service”,our business mainly focus on the distribution of electronic components. Line cards we deal with include Microchip,ALPS,ROHM,Xilinx,Pulse,ON,Everlight and Freescale. Main products comprise IC,Modules,Potentiometer,IC Socket,Relay,Connector.Our parts cover such applications as commercial,industrial, and automotives areas.

We are looking forward to setting up business relationship with you and hope to provide you with the best service and solution. Let us make a better world for our industry!



Contact us

Tel: +86-755-8981 8866 Fax: +86-755-8427 6832

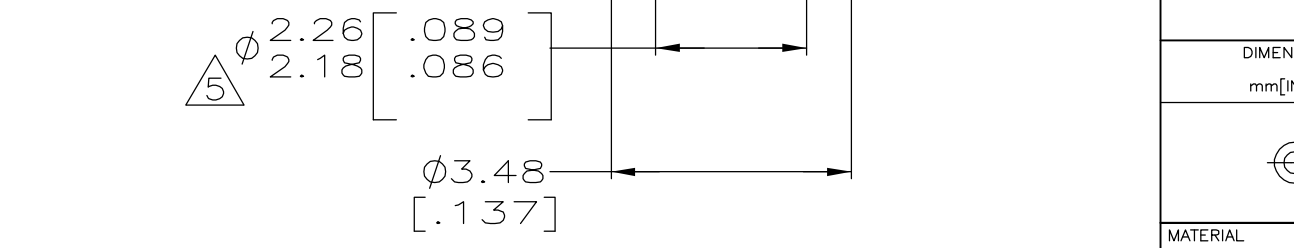
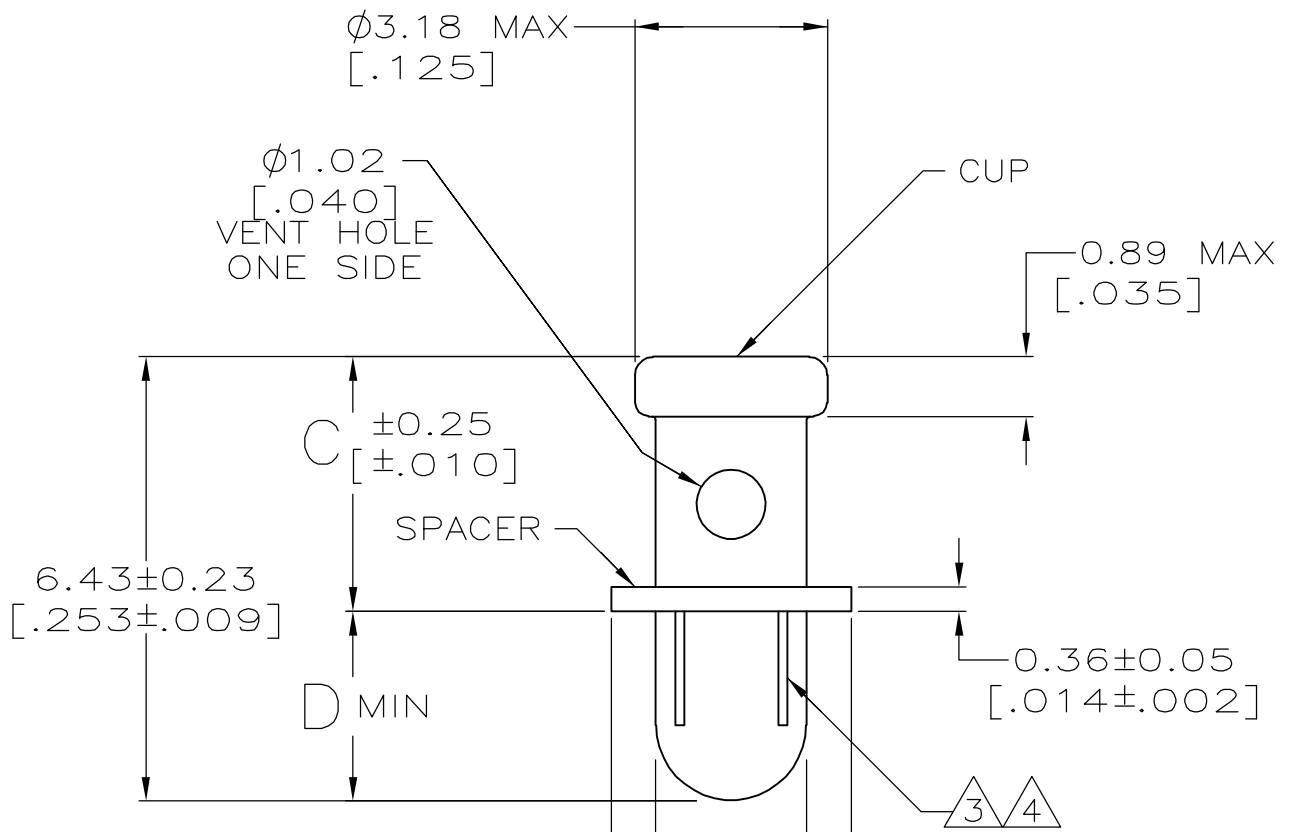
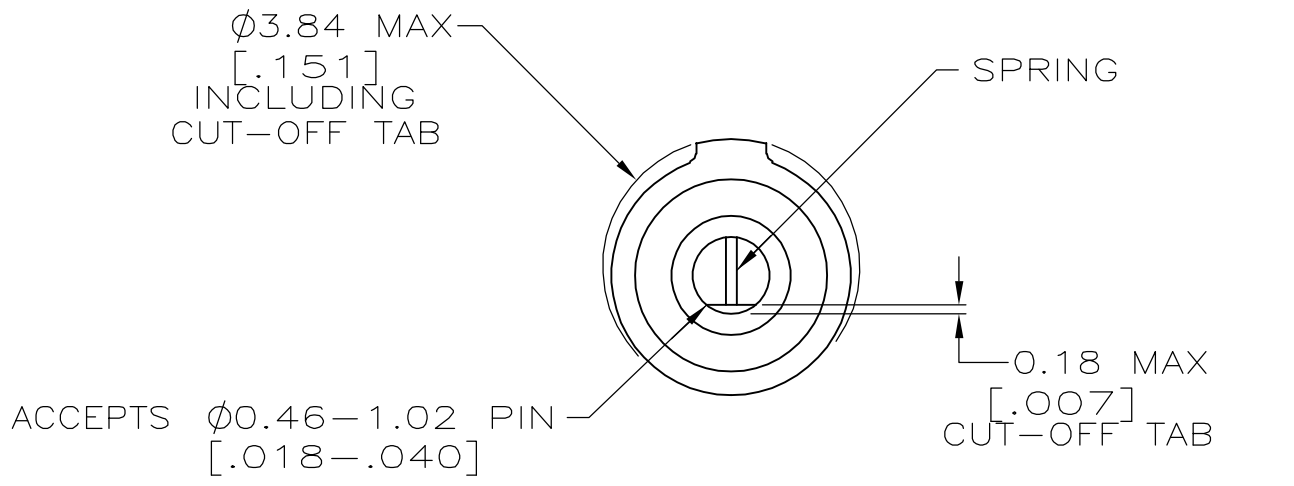
Email & Skype: info@chipsmall.com Web: www.chipsmall.com

Address: A1208, Overseas Decoration Building, #122 Zhenhua RD., Futian, Shenzhen, China



THIS DRAWING IS UNPUBLISHED. RELEASED FOR PUBLICATION
 © COPYRIGHT BY TYCO ELECTRONICS CORPORATION. ALL RIGHTS RESERVED.

LOC	DIST	REVISIONS					
AJ	16	P	LTR	DESCRIPTION	DATE	DWN	APVD
			R1	REVISED PER ECO-06-018765	13APR07	DH	DB



- 1 CUP: COPPER.
SPACER: BRASS.
SPRING: BERYLLIUM COPPER.
- 2 CUP: 2.54 μm [.000100] MIN TIN-LEAD.
SPACER: 2.03 μm [.000080] MIN TIN-LEAD OVER
1.27 μm [.000050] MIN NICKEL.
SPRING: GOLD FLASH OVER 1.27 μm [.000050] MIN NICKEL.
0.76 μm [.000030] MIN GOLD IN CONTACT AREA.
- 3 4 BARE LINES 90° APART ON OUTSIDE OF CUP.
- 4 $\phi 2.11$ [.083] MIN ACROSS BARE METAL.
- 5 FITS INTO $\phi 2.261 \pm 0.038$ [.0890 ± 0.0015] HOLE,
FOR HAND INSERTION.
- 6 3.68 [.145] MIN INSERTION DEPTH FOR RELIABLE CONTACT
OF COMPONENT LEAD.
- 7 AFTER SIZING WITH PIN "A", SAME PART MUST MEET
EXTRACTION FORCE WITH PIN "B".

PIN "A" DIA	MAX INSERTION FORCE GRAMS [OUNCES]	PIN "B" DIA	MIN EXTRACTION FORCE GRAMS [OUNCES]
0.51 [.020]	482 [17]	0.46 [.018]	28.3 [1.0]
0.81 [.032]	1049 [37]	0.64 [.025]	42.5 [1.5]
1.02 [.040]	1361 [48]	0.89 [.035]	56.7 [2.0]

8 SUPERSEDED BY 1-380737-0.

	2.90 [.114]	3.05 [.120]	1-380737-1 8
OBSOLETE	2.16 [.085]	3.68 [.145]	1-380737-0
	D	C	PART NUMBER

THIS DRAWING IS A CONTROLLED DOCUMENT.		DWN D.HARDY 22 DEC 99	Tyco Electronics Corporation Harrisburg, Pa 17105-3608		
DIMENSIONS: mm[INCHES]		CHK H.WYNKOOP 19 JAN 00			
TOLERANCES UNLESS OTHERWISE SPECIFIED:		APVD H.WYNKOOP 19 JAN 00	NAME RECEPTACLE ASSEMBLY, REUSABLE COMPONENT		
0 PLC ± - 1 PLC ± - 2 PLC ± 0.38 [.015] 3 PLC ± - 4 PLC ± - ANGLES ± 1°		PRODUCT SPEC -			
MATERIAL 1		FINISH 2	APPLICATION SPEC -	SIZE A3 CAGE CODE 00779 DRAWING NO C-380737 RESTRICTED TO -	
CUSTOMER DRAWING		WEIGHT -	SCALE 10:1 SHEET 1 OF 1 REV R1		