



Chipsmall Limited consists of a professional team with an average of over 10 year of expertise in the distribution of electronic components. Based in Hongkong, we have already established firm and mutual-benefit business relationships with customers from,Europe,America and south Asia,supplying obsolete and hard-to-find components to meet their specific needs.

With the principle of “Quality Parts,Customers Priority,Honest Operation,and Considerate Service”,our business mainly focus on the distribution of electronic components. Line cards we deal with include Microchip,ALPS,ROHM,Xilinx,Pulse,ON,Everlight and Freescale. Main products comprise IC,Modules,Potentiometer,IC Socket,Relay,Connector.Our parts cover such applications as commercial,industrial, and automotives areas.

We are looking forward to setting up business relationship with you and hope to provide you with the best service and solution. Let us make a better world for our industry!



Contact us

Tel: +86-755-8981 8866 Fax: +86-755-8427 6832

Email & Skype: info@chipsmall.com Web: www.chipsmall.com

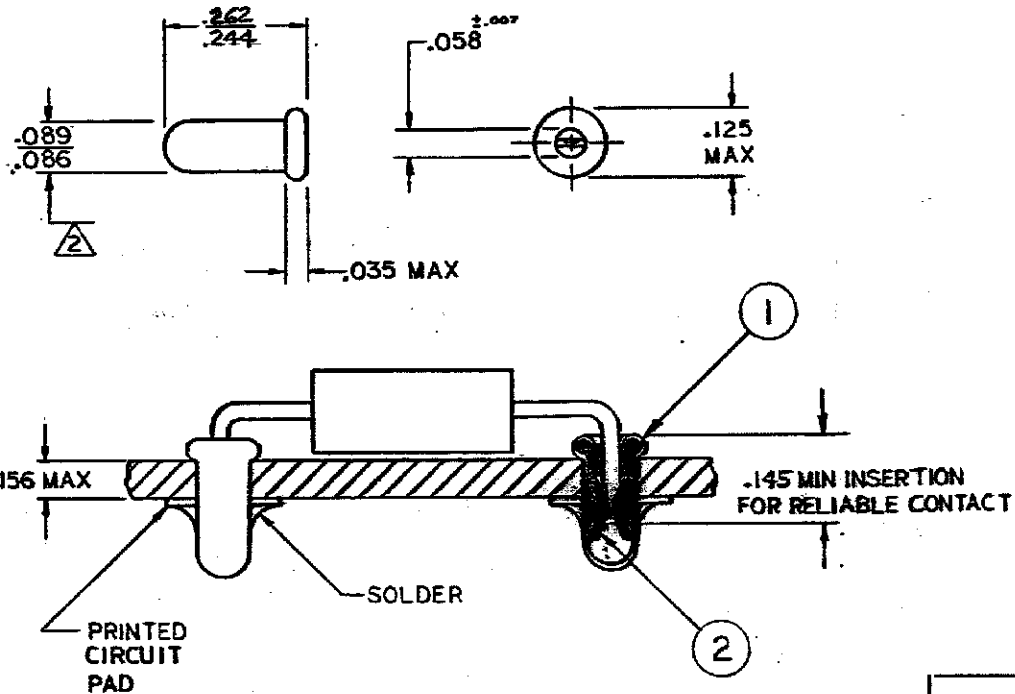
Address: A1208, Overseas Decoration Building, #122 Zhenhua RD., Futian, Shenzhen, China



DRAWING MADE IN THIRD ANGLE PROJECTION

© COPYRIGHT 1966 BY AMP INCORPORATED, HARRISBURG, PA.
 ALL INTERNATIONAL RIGHTS RESERVED, AMP INCORPORATED PRODUCTS
 COVERED BY U. S. AND FOREIGN PATENTS AND/OR PATENTS PENDING.

		REVISIONS			
REV	DATE	ZONE	LTR	DESCRIPTION	APPROVED
J	4-25-78			REDRAWN W/O CHNG M-5090	D.H.
K	3/23/79			REV, ADDED 1--1, M-5182, M-5230	PAS/D.H.
L	3/10/79			REV. NOTE 2 M-5446	PAS/D.H.
L ₁	4-24-80			RESTORATION	ESB/CY
M	12-22-87			REV AG 1047 LOC TO CY	SDM
M ₁	4-12-88			REV PER AG-5173	VS
N	5-10-88			REV PER AG-5123	RTD



1 ACCEPTS .036-.054 DIA PIN.

△ FITS INTO NO. 43 DRILLED HOLE (.0890 ± .0015) FOR HAND INSERTION OR NO. 44 DRILLED HOLE (.0860 ± .0015) FOR MACHINE INSERTION

1	CUP	COPPER, TIN-LEAD	1-380758-1
2	SPRING	BE. CU, GOLD	
1	CUP	COPPER, TIN-LEAD	1-380758-0
2	SPRING	BE. CU, TIN	
ITEM No.	DESCRIPTION	MATERIAL & FINISH	PART NO

UNLESS OTHERWISE SPECIFIED DIMENSIONS ARE IN INCHES. TOLERANCES ON: DECIMALS ±.015 ANGLES ±	CONTRACT NO	AMP INCORPORATED Harrisburg, Pa.	
	OR 4-25-78 <i>010-1</i>		
	MATERIAL	NAME	REUSABLE COMPONENT RECEPTACLE
	SEE TABLE	SIZE	B
FINISH	CODE IDENT NO	00779	
SEE TABLE	DRAWING NO	380758	
	SCALE		SHEET