



Chipsmall Limited consists of a professional team with an average of over 10 year of expertise in the distribution of electronic components. Based in Hongkong, we have already established firm and mutual-benefit business relationships with customers from,Europe,America and south Asia,supplying obsolete and hard-to-find components to meet their specific needs.

With the principle of “Quality Parts,Customers Priority,Honest Operation,and Considerate Service”,our business mainly focus on the distribution of electronic components. Line cards we deal with include Microchip,ALPS,ROHM,Xilinx,Pulse,ON,Everlight and Freescale. Main products comprise IC,Modules,Potentiometer,IC Socket,Relay,Connector.Our parts cover such applications as commercial,industrial, and automotives areas.

We are looking forward to setting up business relationship with you and hope to provide you with the best service and solution. Let us make a better world for our industry!



Contact us

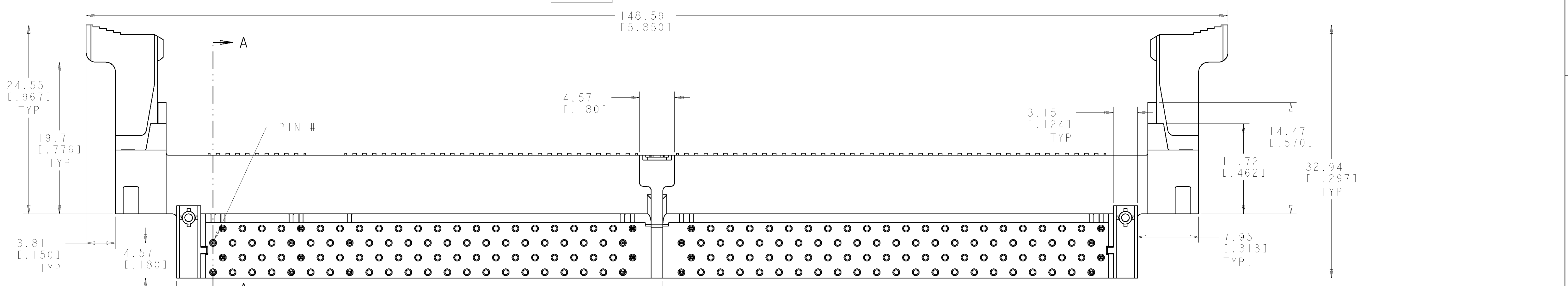
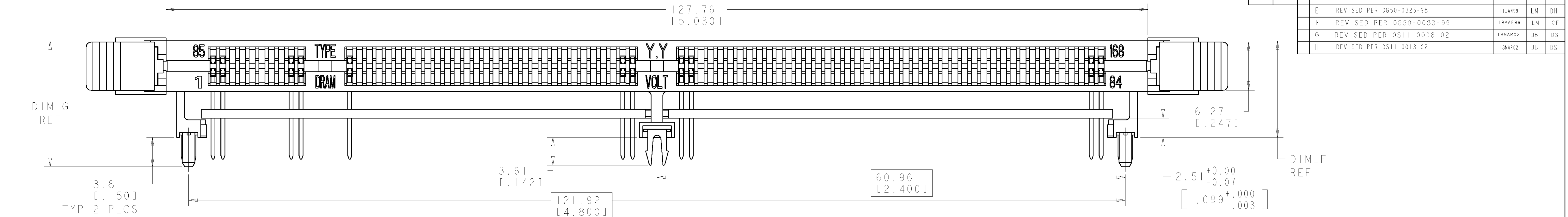
Tel: +86-755-8981 8866 Fax: +86-755-8427 6832

Email & Skype: info@chipsmall.com Web: www.chipsmall.com

Address: A1208, Overseas Decoration Building, #122 Zhenhua RD., Futian, Shenzhen, China



REV	DATE	BY	CHK	APPV
E	11JAN99	LM	DH	
F	18MAR99	JB	CF	
G	18MAR02	JB	DS	
H	18MAR02	JB	DS	

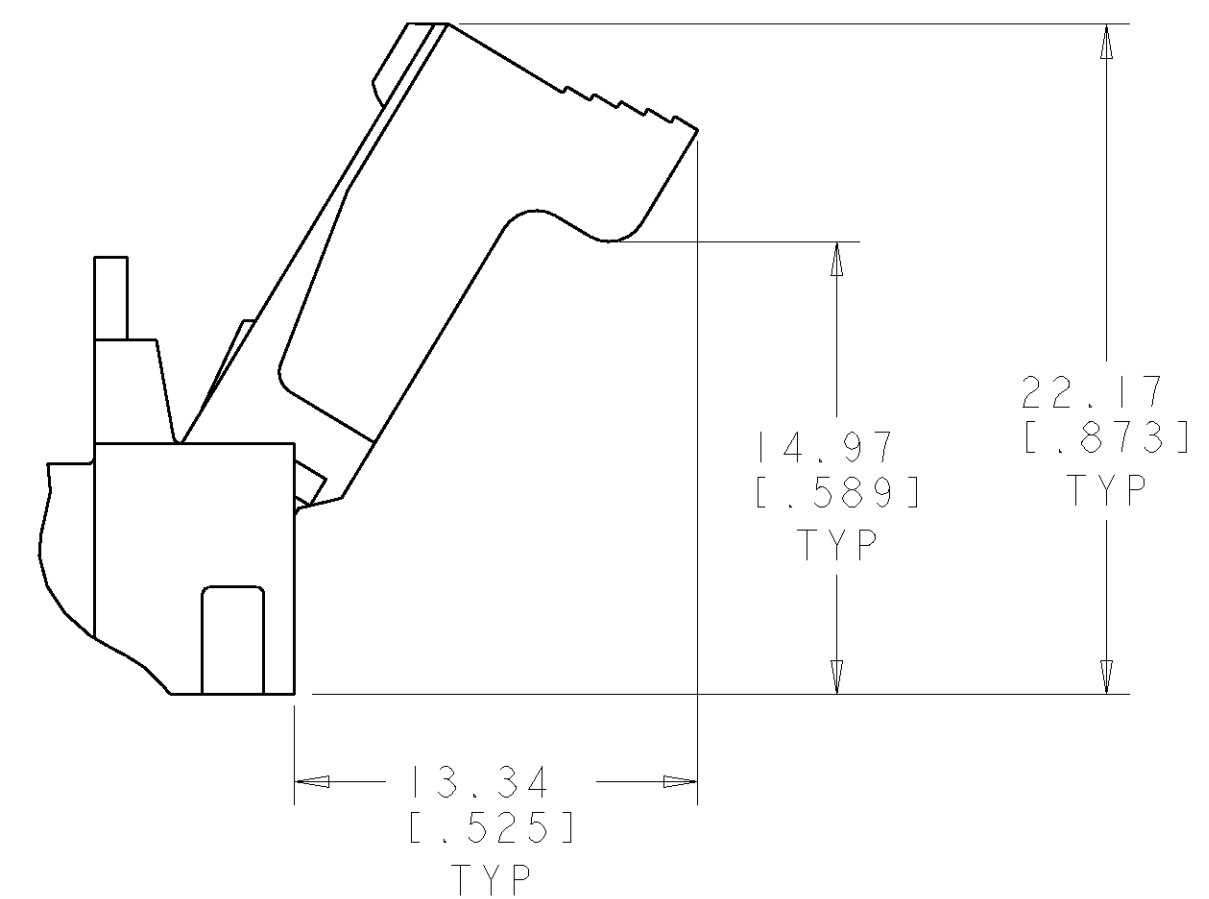


MATERIAL:
 HOUSING: HIGH TEMPERATURE NYLON
 CONTACT: PHOSPHOR BRONZE

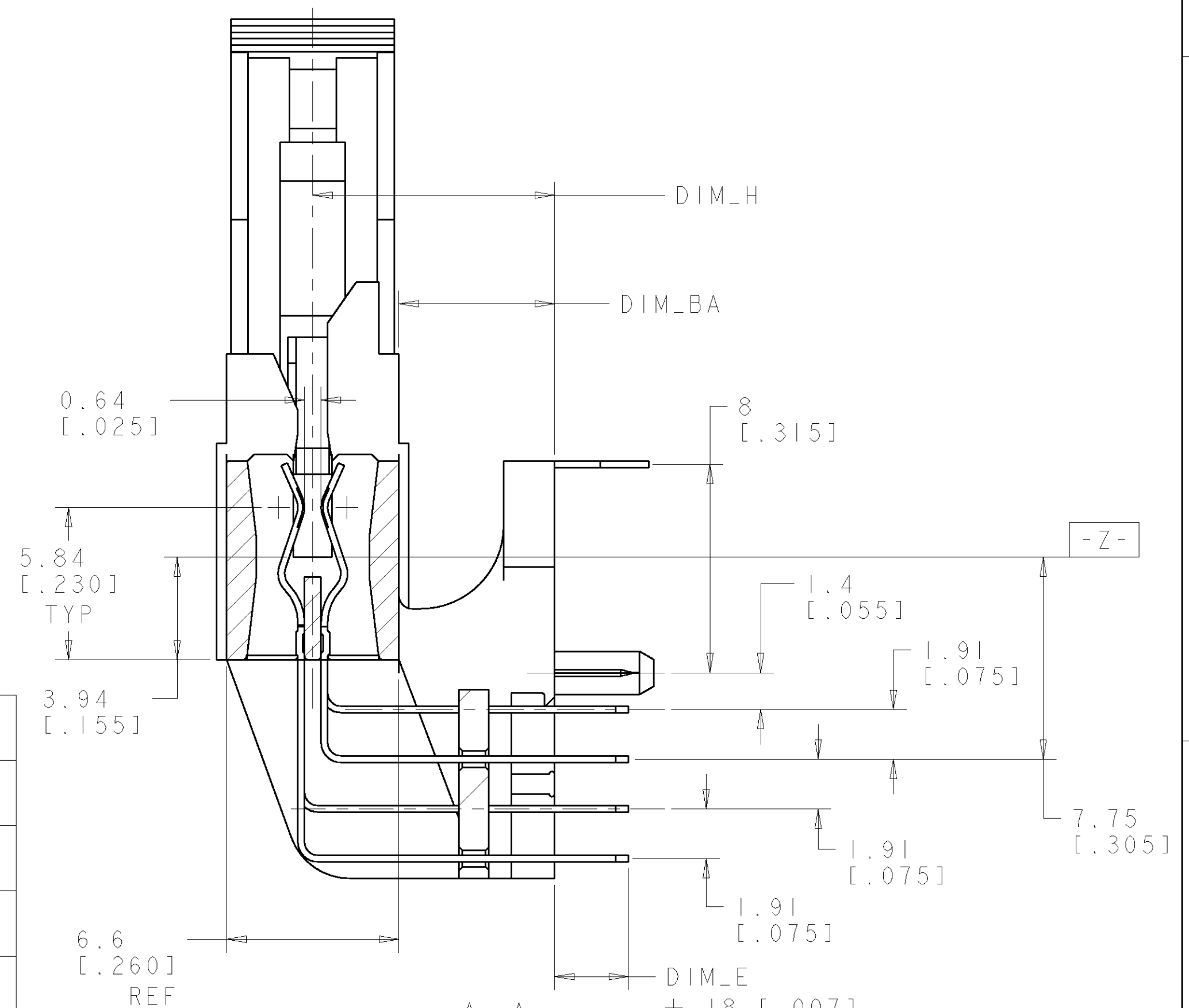
FINISH:
 CONTACT AREA:
 0.00076 [.000030] MIN THICK GOLD OVER
 0.001270 [.000050] MIN THICK NICKEL.
 OR
 0.000076 [.000003] MIN THICK GOLD FLASH OVER
 0.000510 [.000020] MIN THICK PALLADIUM NICKEL OVER
 0.001270 [.000050] MIN THICK NICKEL.
 SOLDER TAIL:
 0.00381 [.000150] MIN THICK TIN LEAD OVER
 0.00064 [.000025] MIN THICK NICKEL.

FOR OPTIMUM PERFORMANCE, PADS SHOULD BE SMOOTH AND FLAT PADS TO BE PLATED WITH:
 0.00102 [.000040] MIN THICK GOLD OVER
 0.00127 [.000050] MIN THICK NICKEL.

390171-6 IS SAME CONNECTOR AS 1-390171-0 EXCEPT WITH LUBRICATED CONTACTS.



EXTRACTOR SHOWN IN THE OPEN POSITION

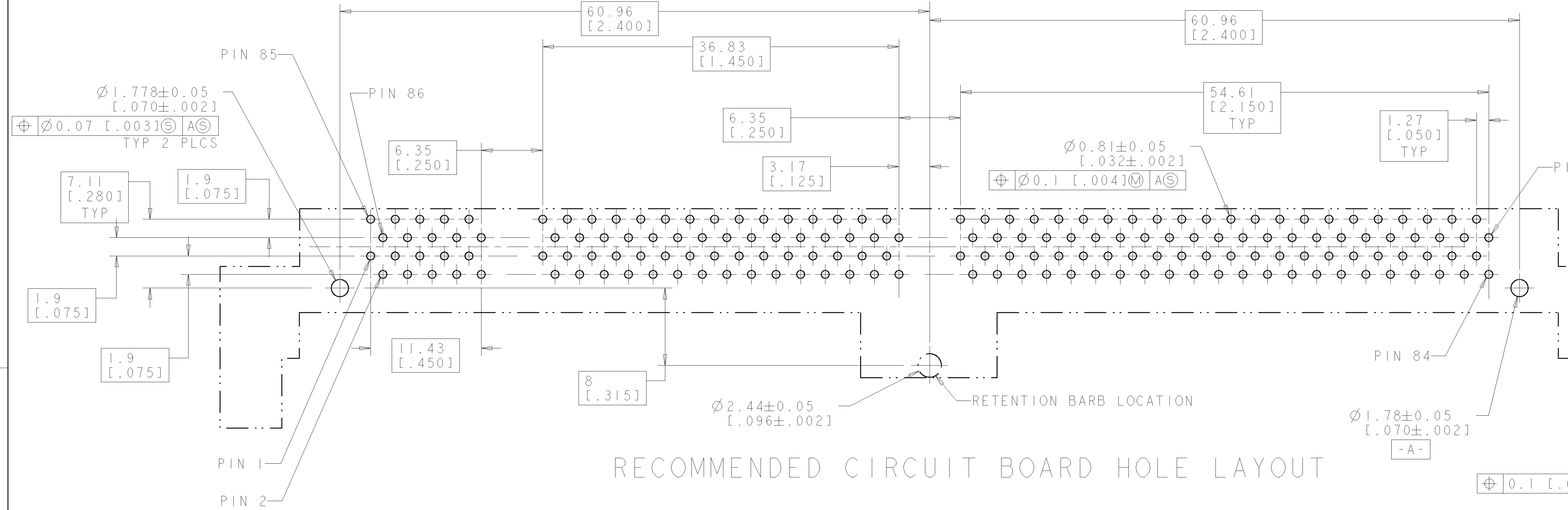


SECTION A-A
 SCALE 6:1

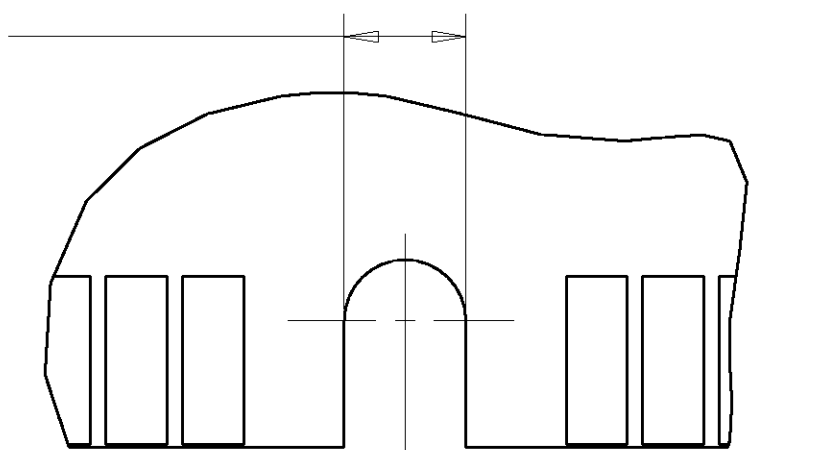
NB	3.3	10.92 [.430]	18.03 [.710]	14.22 [.560]	3.68 [.145]	7.62 [.300]	DETAIL C	DETAIL A	SYNC NON-BUFFERED DRAM, 3.3 VOLT	2-390171-6
NB	3.3	10.92 [.430]	18.03 [.710]	14.22 [.560]	3.18 [.125]	7.62 [.300]	DETAIL C	DETAIL A	SYNC NON-BUFFERED DRAM, 3.3 VOLT	1-390171-6
SYNC	3.3	10.92 [.430]	18.03 [.710]	14.22 [.560]	3.18 [.125]	7.62 [.300]	DETAIL B	DETAIL A	SYNC DRAM, 3.3 VOLT	1-390171-5
STD	3.3	10.92 [.430]	18.03 [.710]	14.22 [.560]	3.18 [.125]	7.62 [.300]	DETAIL A	DETAIL A	STD DRAM, 3.3 VOLT	1-390171-4
NB	3.3	9.27 [.365]	16.38 [.645]	12.57 [.495]	2.83 [.112]	5.97 [.235]	DETAIL C	DETAIL A	SYNC NON-BUFFERED DRAM, 3.3 VOLT	1-390171-0
NB	3.3	9.27 [.365]	16.38 [.645]	12.57 [.495]	2.83 [.112]	5.97 [.235]	DETAIL C	DETAIL A	SYNC NON-BUFFERED DRAM, 3.3 VOLT	390171-6 ⁴
SYNC	3.3	9.27 [.365]	16.38 [.645]	12.57 [.495]	2.83 [.112]	5.97 [.235]	DETAIL B	DETAIL A	SYNC DRAM, 3.3 VOLT	390171-5
STD	3.3	9.27 [.365]	16.38 [.645]	12.57 [.495]	2.83 [.112]	5.97 [.235]	DETAIL A	DETAIL A	STD DRAM, 3.3 VOLT	390171-4
TYPE	Y.Y	DIM_H	DIM_G	DIM_F	DIM_E ±.18 [.007]	DIM_BA	KEY #1	KEY #2	PART DESCRIPTION	PART NUMBER

DIMENSIONS: mm(INCHES)		TOLERANCES UNLESS OTHERWISE SPECIFIED: 0 PLC ± 1 PLC ± 2 PLC ± 3 PLC ±.13 [.005] 4 PLC ± ANGLES ±1°		DWN: J. BURWELL 29JUNE98 CHK: D. HAMMER 29JUNE98 APPV:		AMP AMP Incorporated Harrisburg, PA 17105-3608	
PRODUCT SPEC:		NAME: SOCKET, DIMM., DRO, RT ANGLE, 168 POSITION, 17.78mm LOCKING EXTRACTORS.		SIZE: A1		CAGE CODE: 00779	
MATERIAL:		FINISH:		WEIGHT:		DRAWING NO: C=390171	
CUSTOMER DRAWING		SCALE: 4:1		SHEET: 1 OF 2		REV: H	

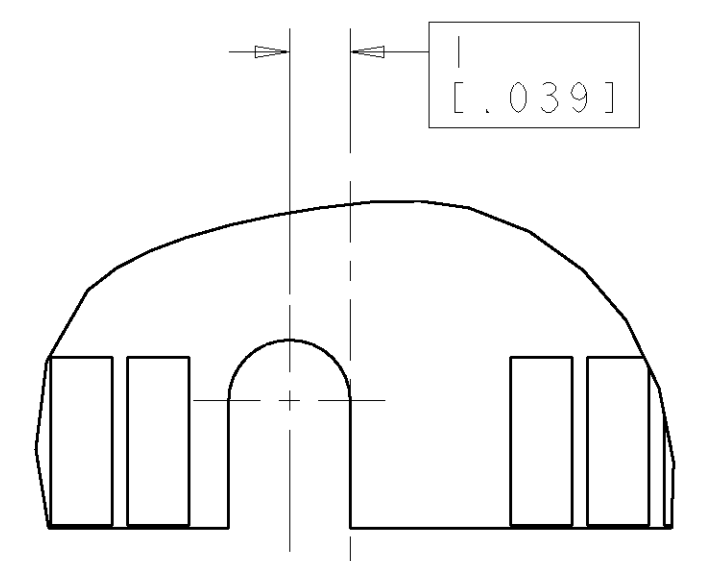
LOC	DIST	REVISIONS			
GP	0	REV	DATE	BY	APPD
		1	SEE SHEET 1		



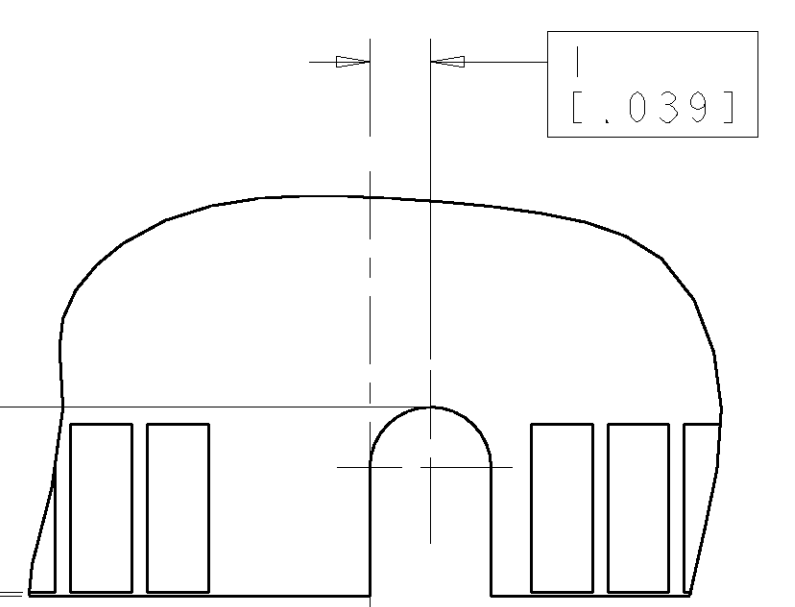
RECOMMENDED CIRCUIT BOARD HOLE LAYOUT



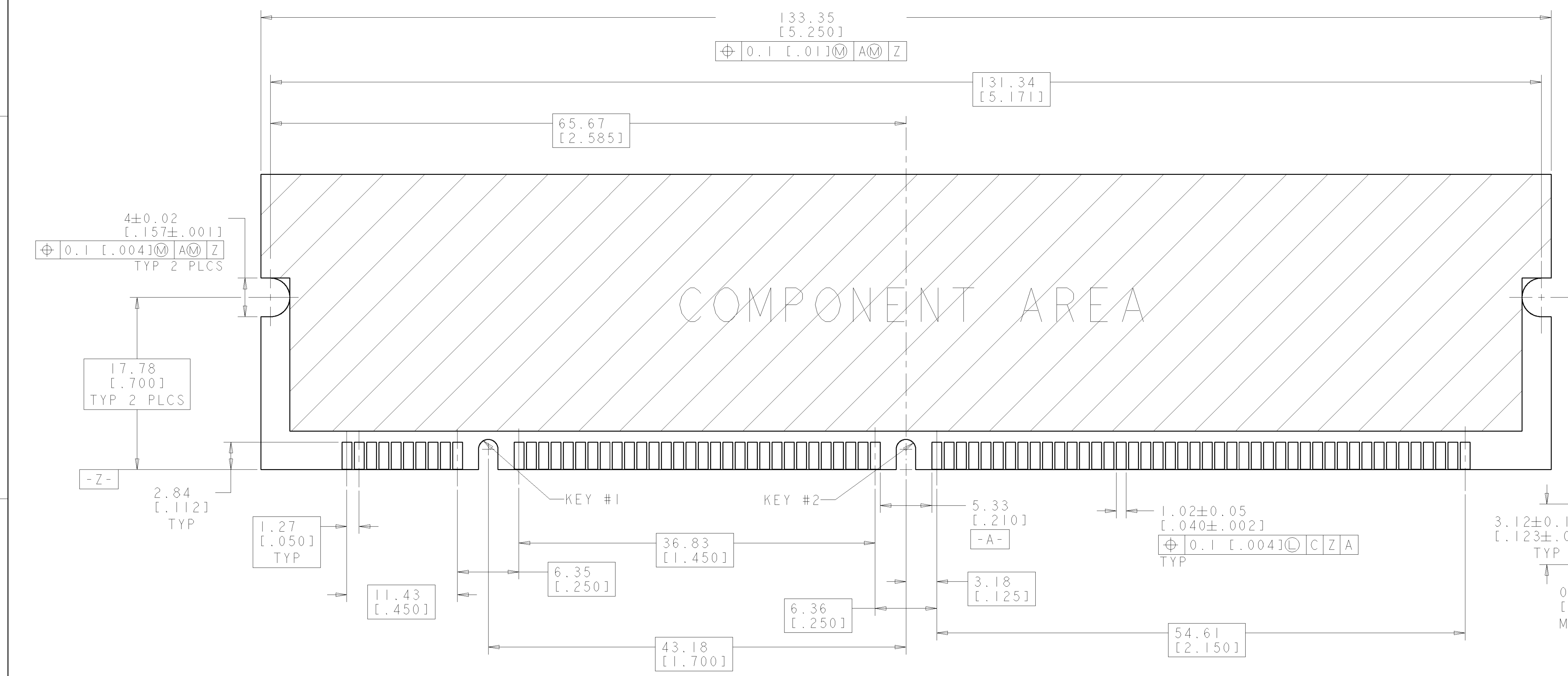
DETAIL A SCALE 8:1



DETAIL B SCALE 8:1



DETAIL C SCALE 8:1



RECOMMENDED MODULE LAYOUT SEE JEDEC SPEC. MO-161 FOR COMPLETE MODULE DETAILS 1.27±0.10 [0.050±.004] THICK ACROSS CONTACT PADS

<small>THIS DRAWING IS A CONTROLLED DOCUMENT FOR AMP INCORPORATED. ALL DIMENSIONS ARE TO BE CONTROLLED ON RECEIVING. ORGANIZATION SHOULD BE CONTACTED FOR THE LATEST REVISION.</small>		DWN: J. BURWELL 29 JUNE 98 ENR: D. HAMMER 29 JUNE 98	AMP Incorporated Harrisburg, PA 17105-3608
DIMENSIONS: mm [INCHES]	TOLERANCES UNLESS OTHERWISE SPECIFIED: 0 PLCS ± 1 PLCS ± 2 PLCS ± 3 PLCS ±0.13 [0.005] 4 PLCS ± ANGLES ±1°	NAME: SOCKET, DIMM., DRO, RT ANGLE, 168 POSITION, 17.78mm LOCKING EXTRACTORS. PRODUCT SPEC: - APPLICATION SPEC: - WEIGHT: - CUSTOMER DRAWING	SIZE: A1 CAGE CODE: 00779 DRAWING NO: C=390171 SCALE: 1:1 SHEET 2 OF 2 REV H