



Chipsmall Limited consists of a professional team with an average of over 10 year of expertise in the distribution of electronic components. Based in Hongkong, we have already established firm and mutual-benefit business relationships with customers from,Europe,America and south Asia,supplying obsolete and hard-to-find components to meet their specific needs.

With the principle of “Quality Parts,Customers Priority,Honest Operation,and Considerate Service”,our business mainly focus on the distribution of electronic components. Line cards we deal with include Microchip,ALPS,ROHM,Xilinx,Pulse,ON,Everlight and Freescale. Main products comprise IC,Modules,Potentiometer,IC Socket,Relay,Connector.Our parts cover such applications as commercial,industrial, and automotives areas.

We are looking forward to setting up business relationship with you and hope to provide you with the best service and solution. Let us make a better world for our industry!



Contact us

Tel: +86-755-8981 8866 Fax: +86-755-8427 6832

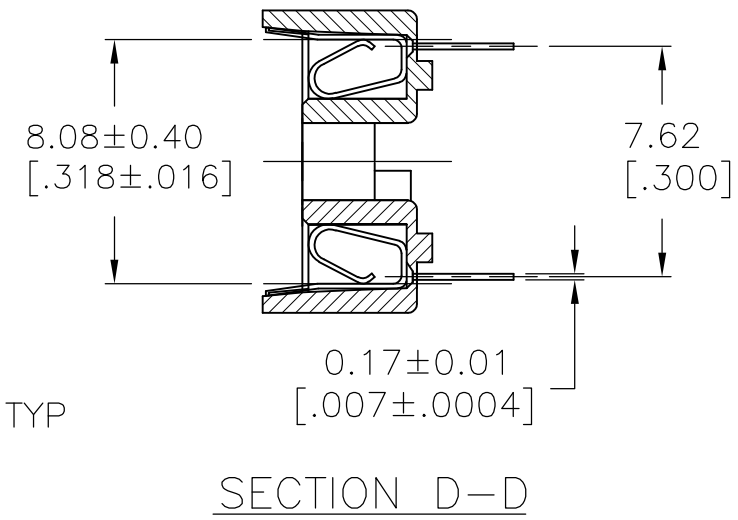
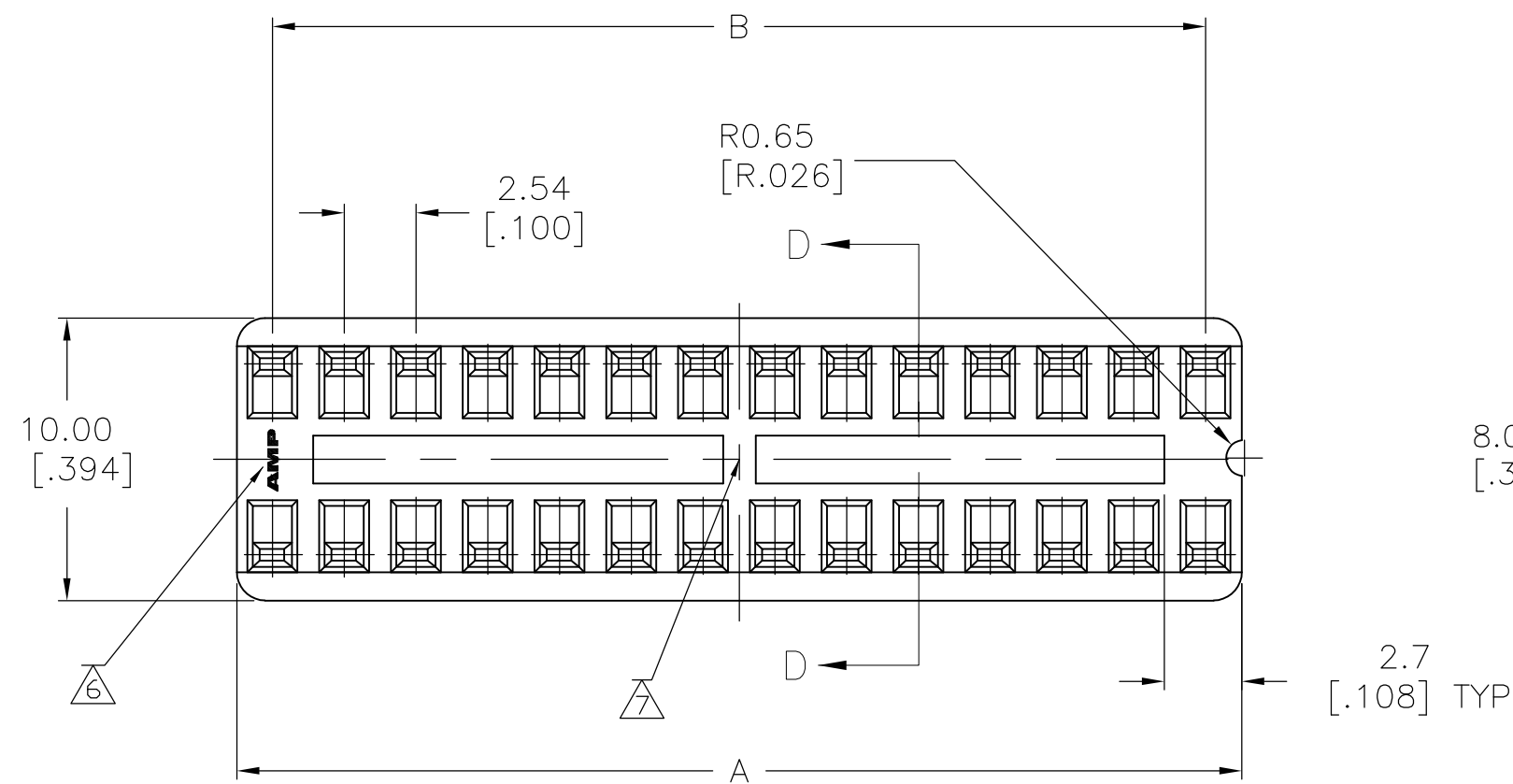
Email & Skype: info@chipsmall.com Web: www.chipsmall.com

Address: A1208, Overseas Decoration Building, #122 Zhenhua RD., Futian, Shenzhen, China



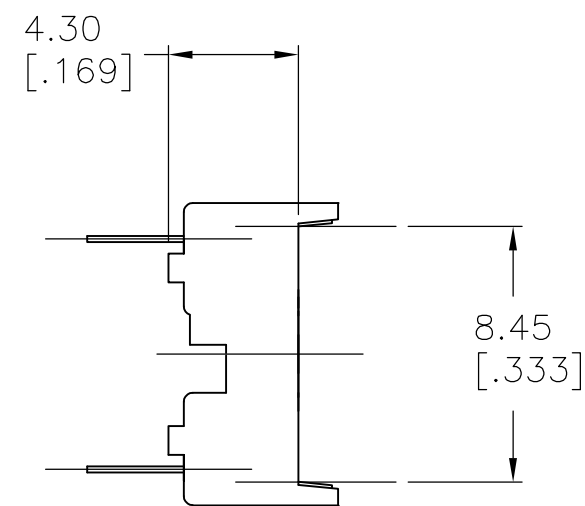
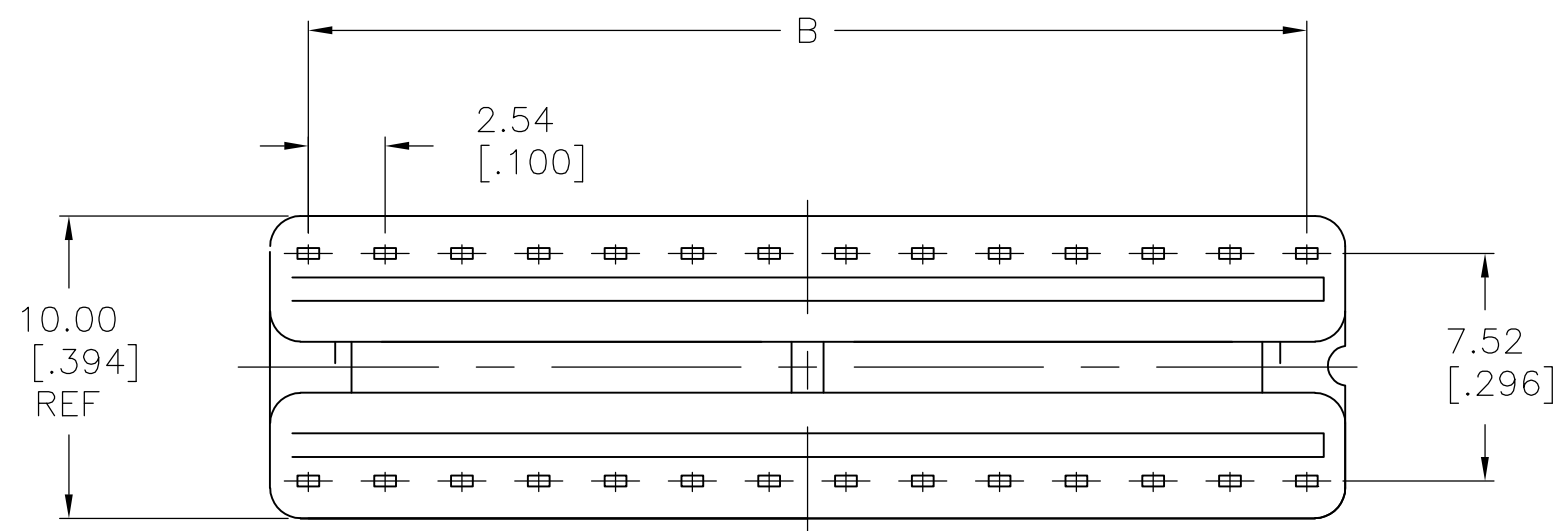
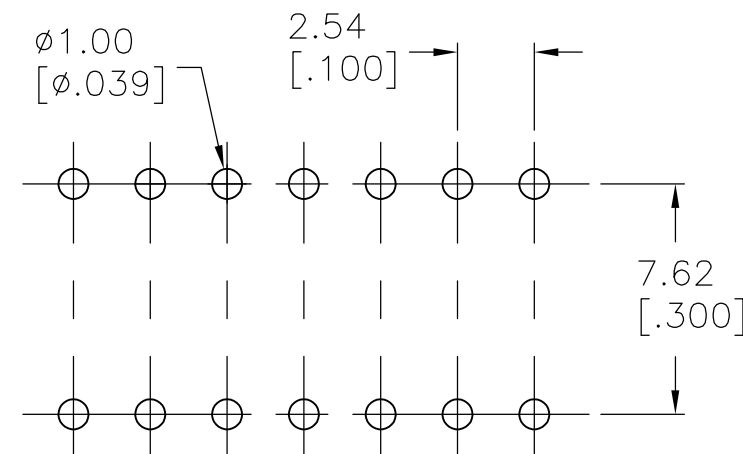
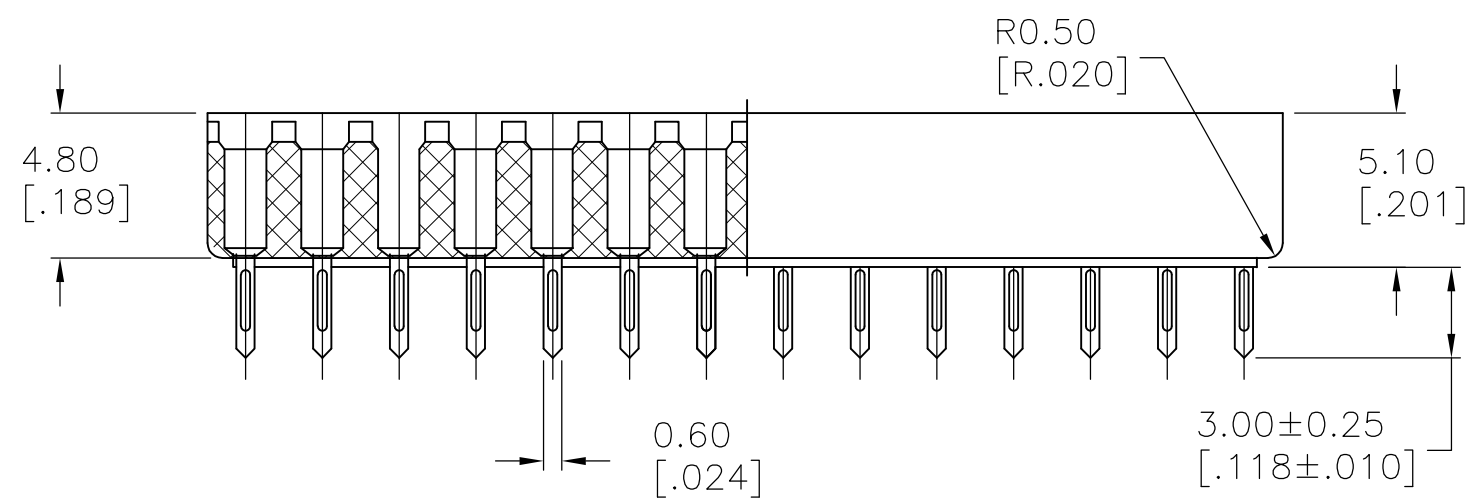
THIS DRAWING IS UNPUBLISHED. RELEASED FOR PUBLICATION
 © COPYRIGHT BY TYCO ELECTRONICS CORPORATION. ALL RIGHTS RESERVED.

LOC		DIST		REVISIONS					
AD		0		P	LTR	DESCRIPTION	DATE	DWN	APVD
				M		ECO-07-017363	08AUG2007	RB	MM



NOTE:

- 1 MATERIAL:
HOUSING: 30% GLASS FILLED PBT, THERMOPLASTIC, BLACK.
CONTACT: PHOS BRONZE
- 2 FINISH: CONTACT PLATING: TIN-LEAD (60u INCHES MIN.)
SOLDERABILITY :95% COVERAGE MIN.;
TEST TEMPERATURE=230°C±5°C
TEST TIME = 5±5 SECONDS.
- 3. MECHANICAL SPECS:
DURABILITY: 50 CYCLES MIN.
INSERTION FORCE:300 GRAMS MAX.
WITHDRAWAL FORCE: 20 GRAMS MIN.
CONTACT RETENTION: 500 GRAMS MIN.
ACCEPTS: 0.20-0.30 [.008-.012] LEADS
- 4. ELECTRICAL SPECS:
VOLTAGE RATING: 250V AC,DC
CONTACT RESISTANCE: 20 MILLOHMS MAX.
CURRENT RATING: 1 AMPERE AC,DC
INSULATION RESISTANCE: 1000 MEGOHMS MIN.
DIELECTRIC WITHSTANDING VOLTAGE: AC 1000 V MIN.
- 5. OPERATING TEMPERATURE: -40°C TO +105°C
- 6 AMP LOGO
- 7 LADDER PRESENT FOR 24, 28 & 32 POSITION SOCKETS.
- 8 FINISH: CONTACT PLATING TIN (LEAD FREE); 60 UIN MIN. OVER 30 UIN Ni
SOLDERABILITY :95% COVERAGE MIN.;
TEST TEMPERATURE=260°±5°C;
TEST TIME = 5±5 SECONDS.



FINISH	POS	A ±0.20 [.008]	B±0.15 [.006]	PART NO.
8	32	40.64 [1.600]	38.10 [1.500]	2-390261-0
8	28	35.56 [1.400]	33.02 [1.300]	1-390261-9
8	24	30.48 [1.200]	27.94 [1.100]	1-390261-8
8	22	27.94 [1.100]	25.40 [1.000]	1-390261-7
8	20	25.40 [1.000]	22.86 [.900]	1-390261-6
8	18	22.86 [.900]	20.32 [.800]	1-390261-5
8	16	20.32 [.800]	17.78 [.700]	1-390261-4
8	14	17.78 [.700]	15.24 [.600]	1-390261-3
8	8	10.16 [.400]	7.62 [.300]	1-390261-2
8	6	7.62 [.300]	5.08 [.200]	1-390261-1
2	32	40.64 [1.600]	38.10 [1.500]	1-390261-0
2	28	35.56 [1.400]	33.02 [1.300]	390261-9
2	24	30.48 [1.200]	27.94 [1.100]	390261-8
2	22	27.94 [1.100]	25.40 [1.000]	390261-7
2	20	25.40 [1.000]	22.86 [.900]	390261-6
2	18	22.86 [.900]	20.32 [.800]	390261-5
2	16	20.32 [.800]	17.78 [.700]	390261-4
2	14	17.78 [.700]	15.24 [.600]	390261-3
2	8	10.16 [.400]	7.62 [.300]	390261-2
2	6	7.62 [.300]	5.08 [.200]	390261-1

SUPERSEDED BY 2-390261-0
 SUPERSEDED BY 1-390261-9
 SUPERSEDED BY 1-390261-8
 SUPERSEDED BY 1-390261-7
 SUPERSEDED BY 1-390261-6
 SUPERSEDED BY 1-390261-5
 SUPERSEDED BY 1-390261-4
 SUPERSEDED BY 1-390261-3
 SUPERSEDED BY 1-390261-2
 SUPERSEDED BY 1-390261-1

THIS DRAWING IS A CONTROLLED DOCUMENT.		DWN	06SEP2004	
DIMENSIONS: mm [INCHES]		CHK	-	
TOLERANCES UNLESS OTHERWISE SPECIFIED:		APVD	-	
0 PLC ± -		PRODUCT SPEC	-	
1 PLC ± -		APPLICATION SPEC	-	
2 PLC ± 0.2 [.008]		WEIGHT	-	
3 PLC ± -		CUSTOMER DRAWING	-	
4 PLC ± -		SCALE	4:1	
ANGLES ± -		SHEET	1 of 1	
FINISH		REV	M	

Tyco Electronics
Tyco Electronics Corporation
Harrisburg, PA 17105-3608

DIP SOCKET, .300 CENTER LINE
LADDER STYLE

SIZE: A2 CAGE CODE: 00779 DRAWING NO: C=390261 RESTRICTED TO: -