



Chipsmall Limited consists of a professional team with an average of over 10 year of expertise in the distribution of electronic components. Based in Hongkong, we have already established firm and mutual-benefit business relationships with customers from,Europe,America and south Asia,supplying obsolete and hard-to-find components to meet their specific needs.

With the principle of "Quality Parts,Customers Priority,Honest Operation,and Considerate Service",our business mainly focus on the distribution of electronic components. Line cards we deal with include Microchip,ALPS,ROHM,Xilinx,Pulse,ON,Everlight and Freescale. Main products comprise IC,Modules,Potentiometer,IC Socket,Relay,Connector.Our parts cover such applications as commercial,industrial, and automotives areas.

We are looking forward to setting up business relationship with you and hope to provide you with the best service and solution. Let us make a better world for our industry!



Contact us

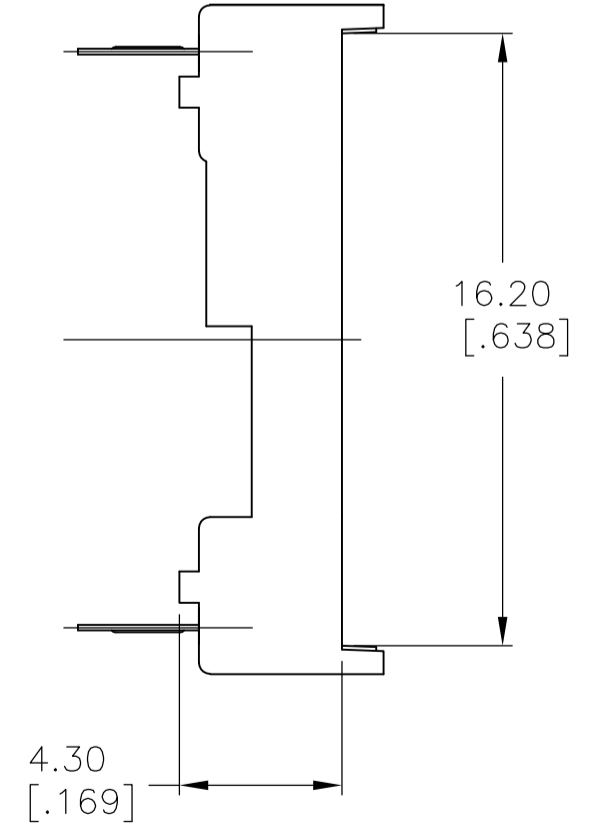
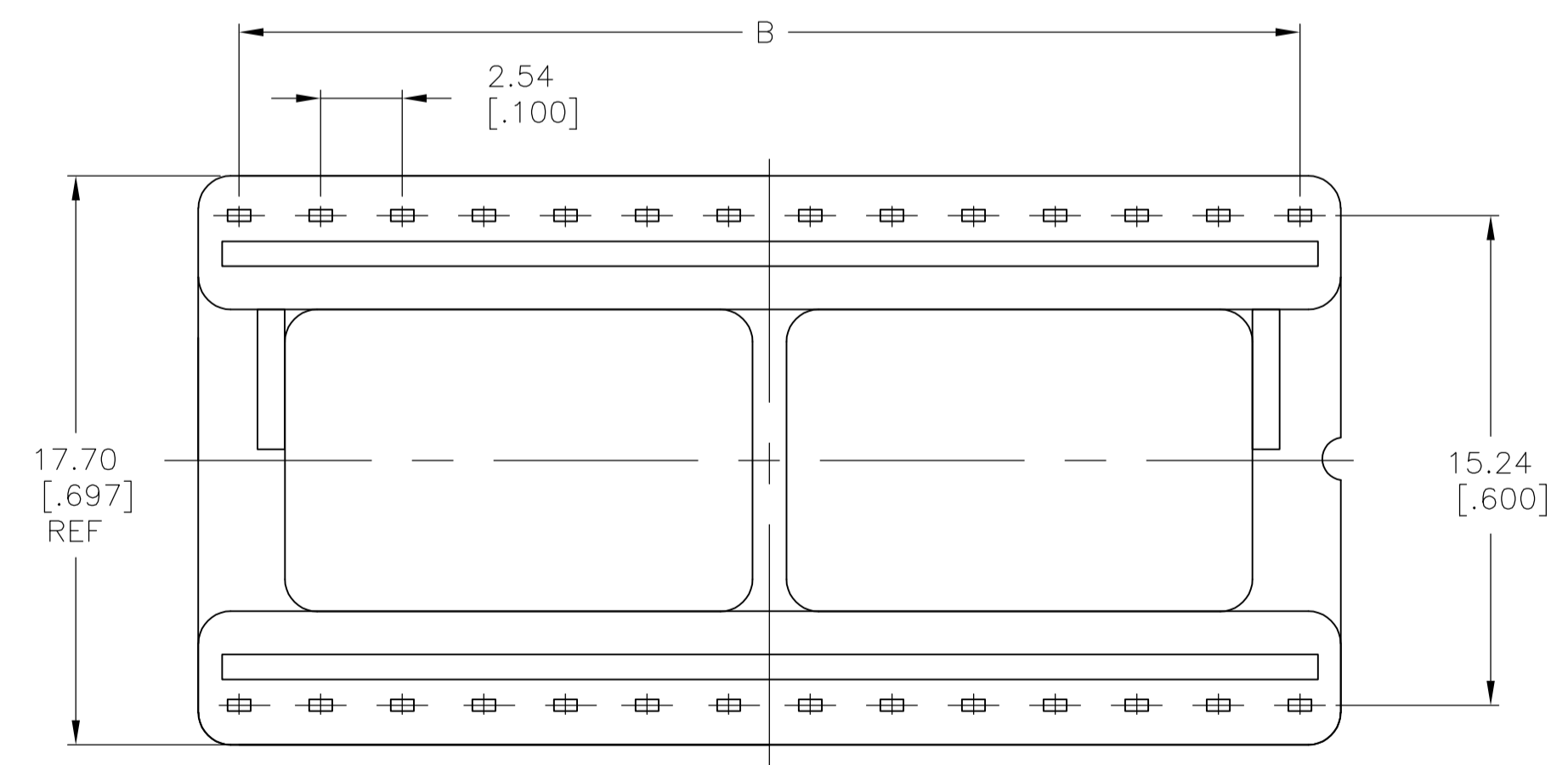
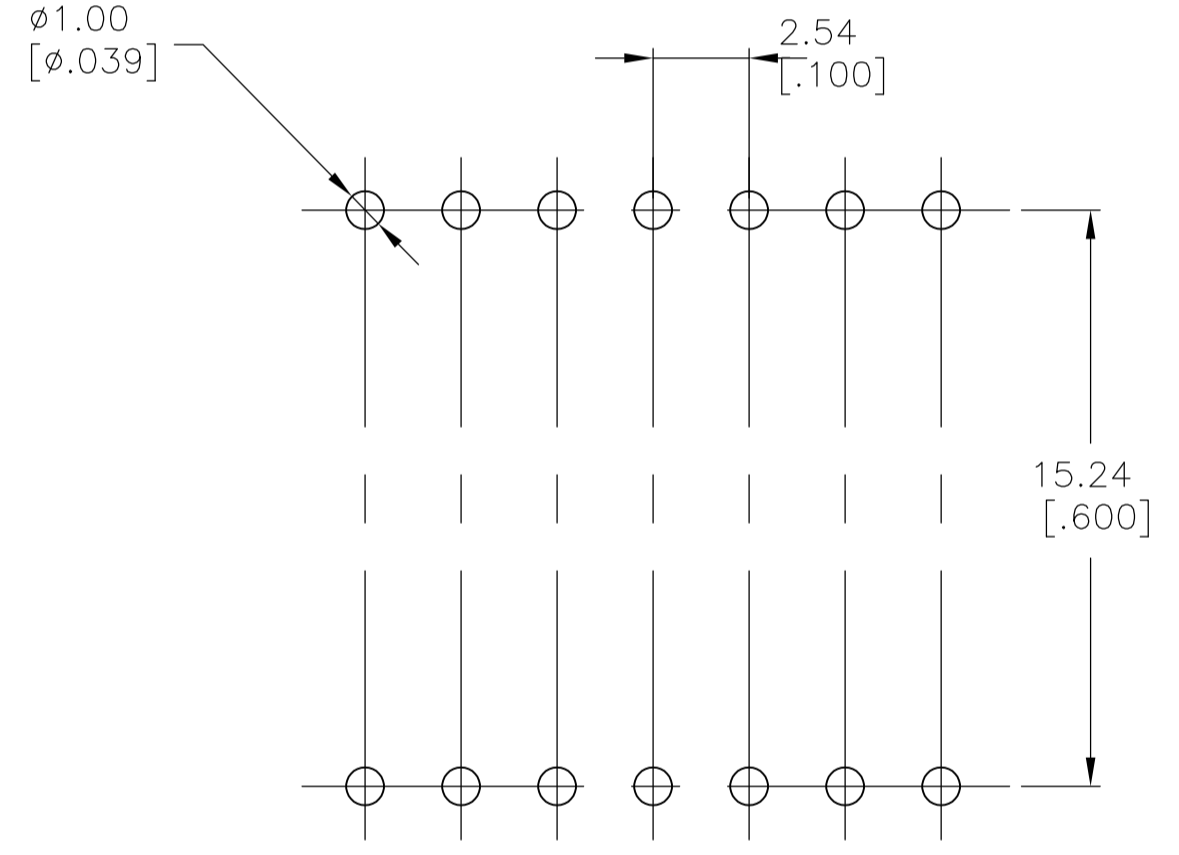
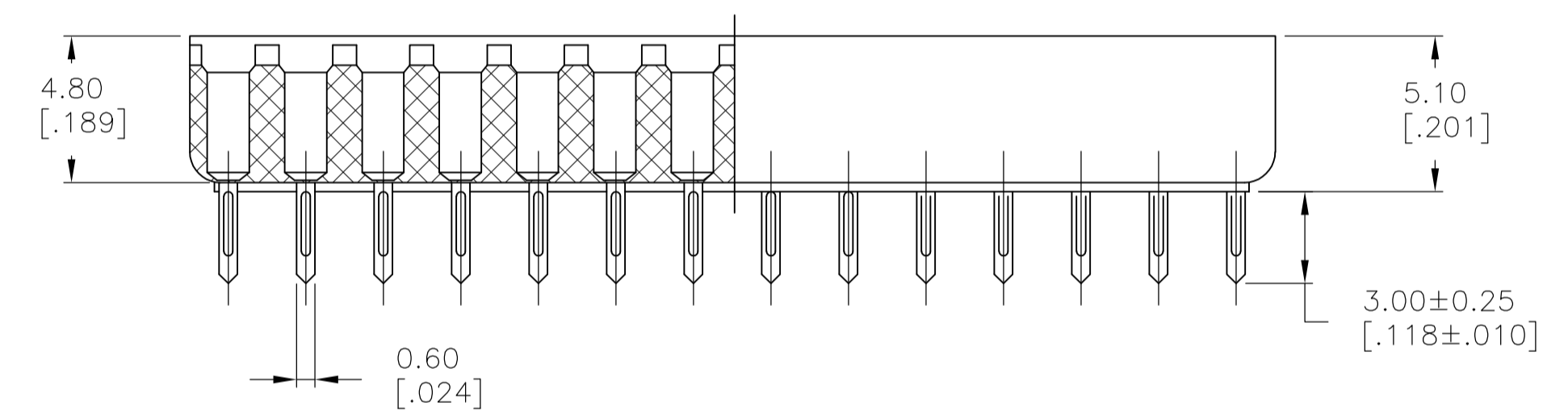
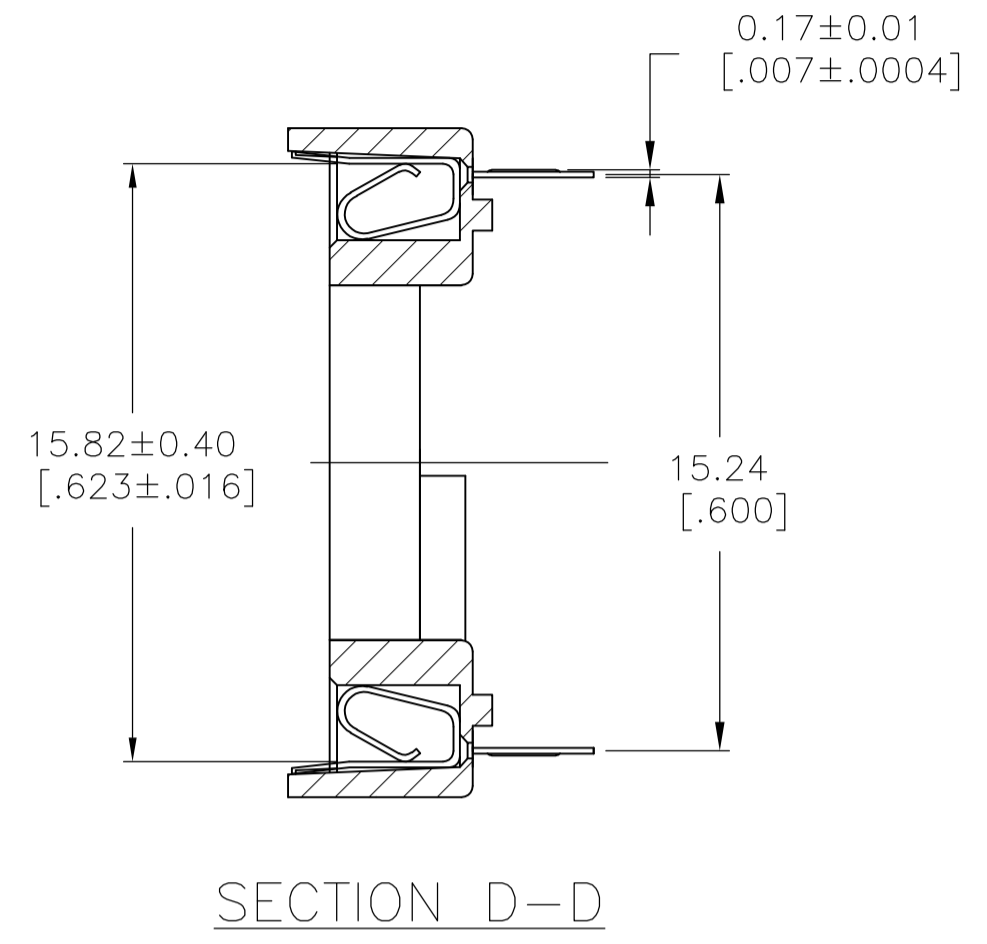
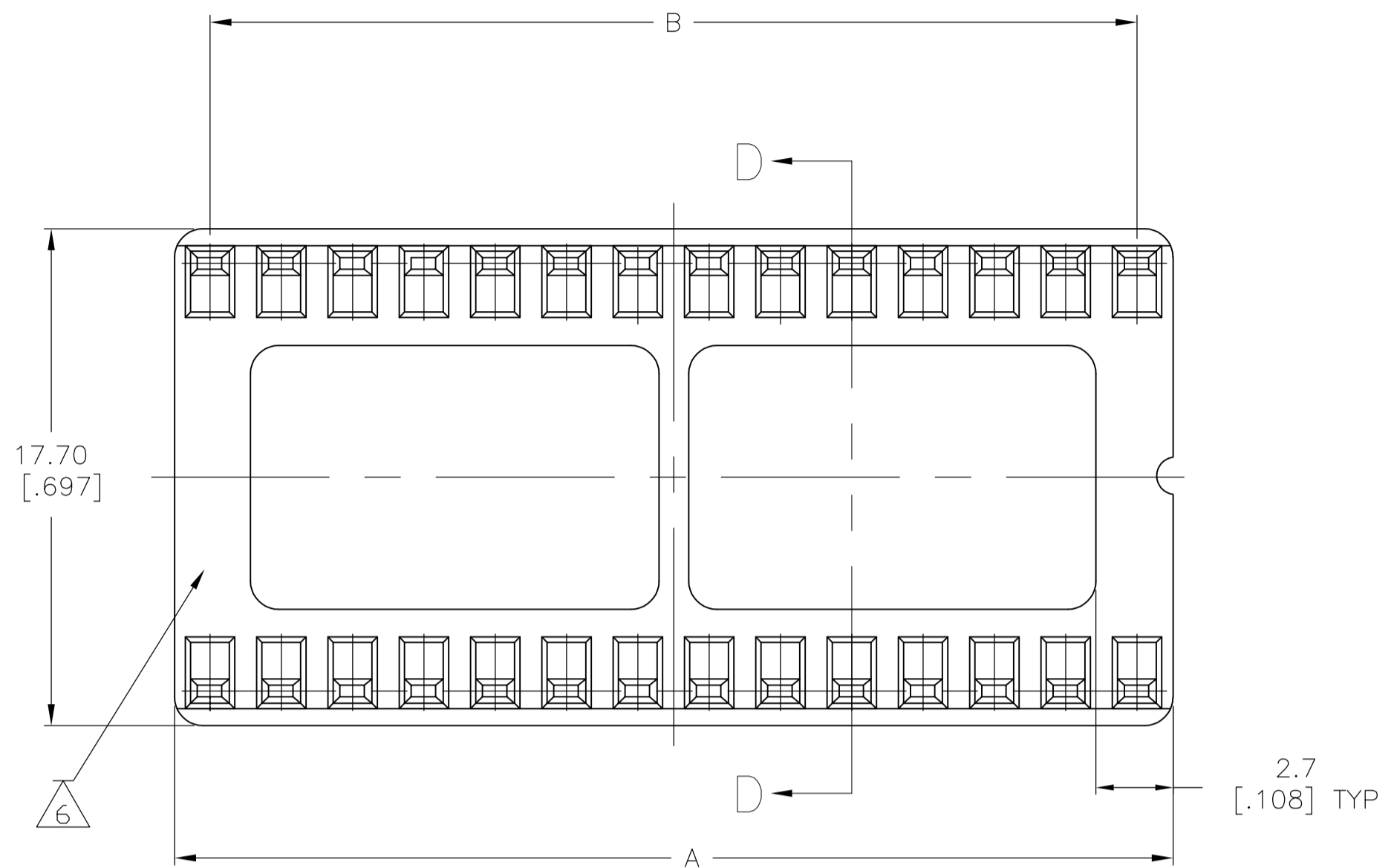
Tel: +86-755-8981 8866 Fax: +86-755-8427 6832

Email & Skype: info@chipsmall.com Web: www.chipsmall.com

Address: A1208, Overseas Decoration Building, #122 Zhenhua RD., Futian, Shenzhen, China



REVISED		REVISIONS			
REV	DESCRIPTION	DATE	BY	CHK	APPV
M1	REVISED PER ECO-11-004587	11MAR11	RK	HMR	



- NOTE:
- MATERIAL:
HOUSING: 30% GLASS FILLED PBT, THERMOPLASTIC, BLACK.
CONTACT: PHOS BRONZE
 - FINISH: CONTACT PLATING: TIN-LEAD (60μ INCHES MIN.)
SOLDERABILITY :95% COVERAGE MIN.;
TEST TEMPERATURE=230°C±5°C
TEST TIME = 5±5 SECONDS.
 - MECHANICAL SPECS:
DURABILITY: 50 CYCLES MIN.
INSERTION FORCE:300 GRAMS MAX.
WITHDRAWAL FORCE: 20 GRAMS MIN.
CONTACT RETENTION: 500 GRAMS MIN.
ACCEPTS: 0.20-0.30 [.008-.012] LEADS
 - ELECTRICAL SPECS:
VOLTAGE RATING: 250V AC,DC
CONTACT RESISTANCE: 20 MILLOHMS MAX.
CURRENT RATING: 1 AMPERE AC,DC
INSULATION RESISTANCE: 1000 MEGOHMS MIN.
DIELECTRIC WITHSTANDING VOLTAGE: AC 1000 V MIN.
 - OPERATING TEMPERATURE: -40°C TO +105°C
 - AMP LOGO
 - FINISH: CONTACT PLATING TIN (LEAD FREE); 60 UIN MIN. OVER 30 UIN Ni
SOLDERABILITY :95% COVERAGE MIN.;
TEST TEMPERATURE=260'±5°C;
TEST TIME = 5±5 SECONDS.

- SUPERSEDED BY 1-390262-7
- SUPERSEDED BY 1-390262-6
- SUPERSEDED BY 1-390262-5
- SUPERSEDED BY 1-390262-3
- SUPERSEDED BY 1-390262-2
- SUPERSEDED BY 1-390262-1

△7	48	60.96 [2.400]	58.42 [2.300]	1-390262-7
△7	42	53.34 [2.100]	50.8 [2.000]	1-390262-6
△7	40	50.80 [2.000]	48.26 [1.900]	1-390262-5
△7	32	40.64 [1.600]	38.10 [1.500]	1-390262-3
△7	28	35.56 [1.400]	33.02 [1.300]	1-390262-2
△7	24	30.48 [1.200]	27.94 [1.100]	1-390262-1
△2	48	60.96 [2.400]	58.42 [2.300]	390262-7
△2	42	53.34 [2.100]	50.8 [2.000]	390262-6
△2	40	50.80 [2.000]	48.26 [1.900]	390262-5
△2	32	40.64 [1.600]	38.10 [1.500]	390262-3
△2	28	35.56 [1.400]	33.02 [1.300]	390262-2
△2	24	30.48 [1.200]	27.94 [1.100]	390262-1
FINISH	POS	A±0.20 [.008]	B±0.15 [.006]	PART NO.

THIS DRAWING IS A CONTROLLED DOCUMENT. DIMENSIONS: mm [INCHES]. TOLERANCES UNLESS OTHERWISE SPECIFIED: 0 PLC ±, 1 PLC ±, 2 PLC ±, 3 PLC ± 0.2[.008], 4 PLC ±, ANGLES ±.

MATERIAL: 1. FINISH: 2-7.

STE TE Connectivity
 DIP SOCKET, .600 CENTER LINE LADDER STYLE

SIZE: A1. CAGE CODE: -. DRAWING NO: 390262. RESTRICTED TO: -. WEIGHT: -. SCALE: 5:1. SHEET: 1 of 1. REV: M1.