



Chipsmall Limited consists of a professional team with an average of over 10 year of expertise in the distribution of electronic components. Based in Hongkong, we have already established firm and mutual-benefit business relationships with customers from,Europe,America and south Asia,supplying obsolete and hard-to-find components to meet their specific needs.

With the principle of “Quality Parts,Customers Priority,Honest Operation,and Considerate Service”,our business mainly focus on the distribution of electronic components. Line cards we deal with include Microchip,ALPS,ROHM,Xilinx,Pulse,ON,Everlight and Freescale. Main products comprise IC,Modules,Potentiometer,IC Socket,Relay,Connector.Our parts cover such applications as commercial,industrial, and automotives areas.

We are looking forward to setting up business relationship with you and hope to provide you with the best service and solution. Let us make a better world for our industry!



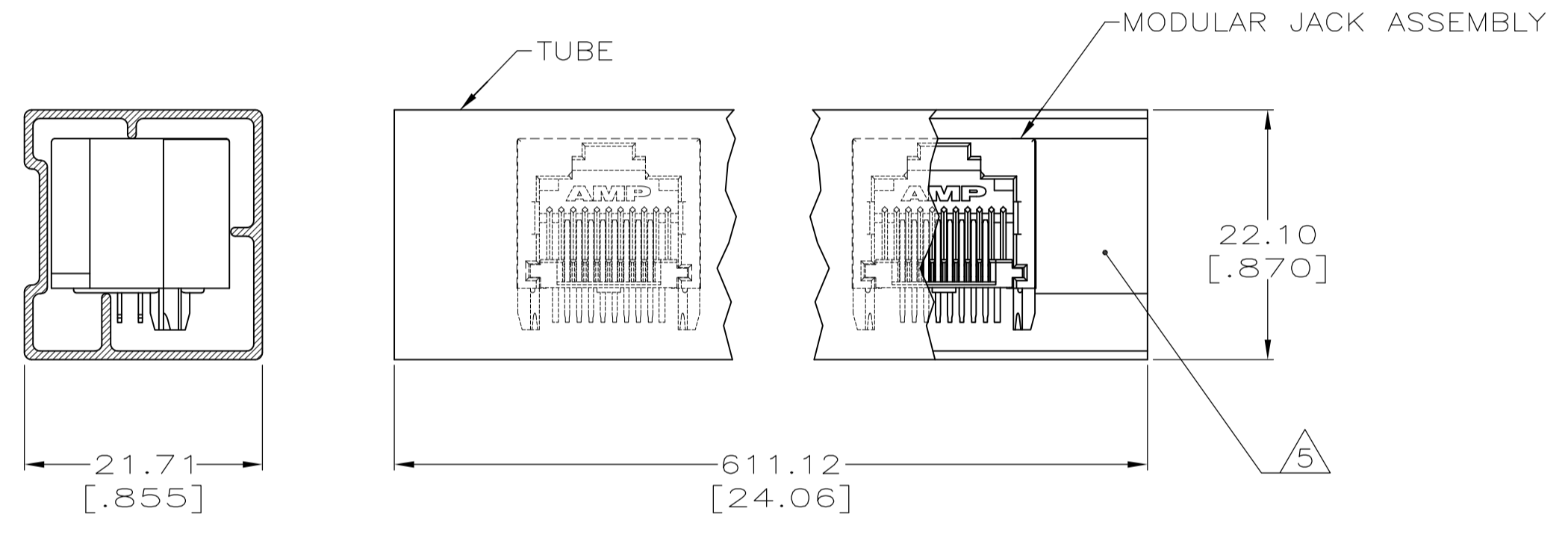
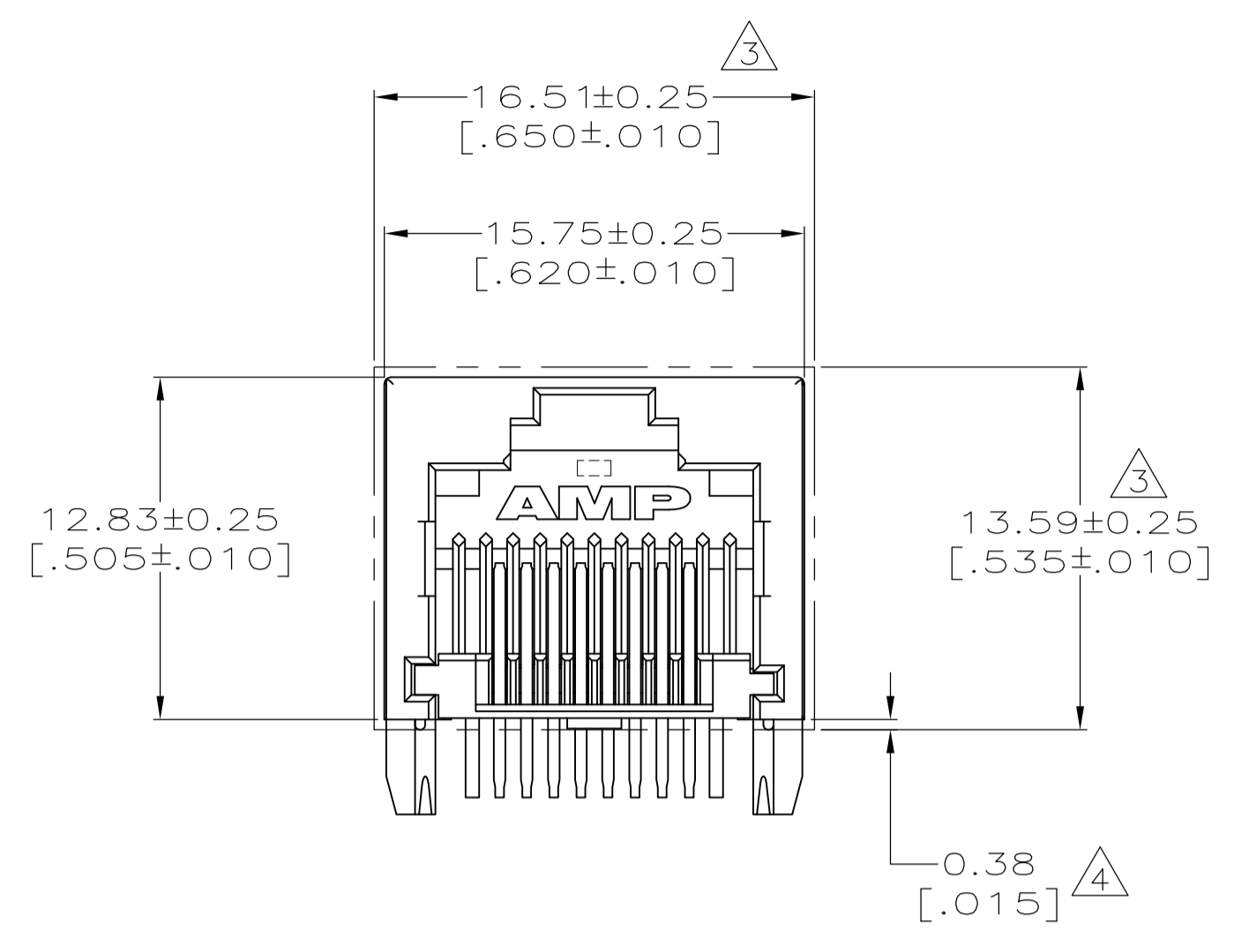
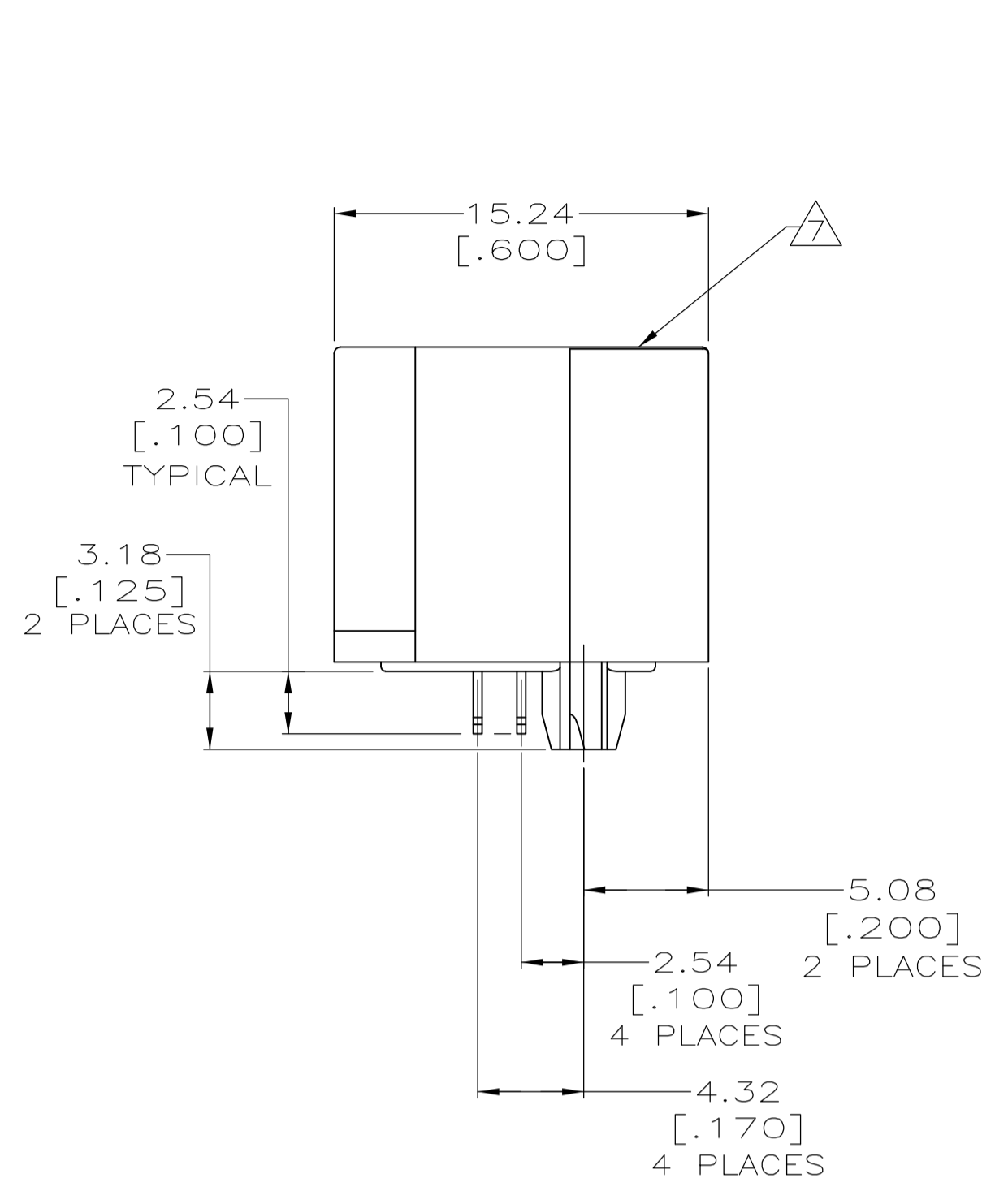
## Contact us

Tel: +86-755-8981 8866 Fax: +86-755-8427 6832

Email & Skype: info@chipsmall.com Web: www.chipsmall.com

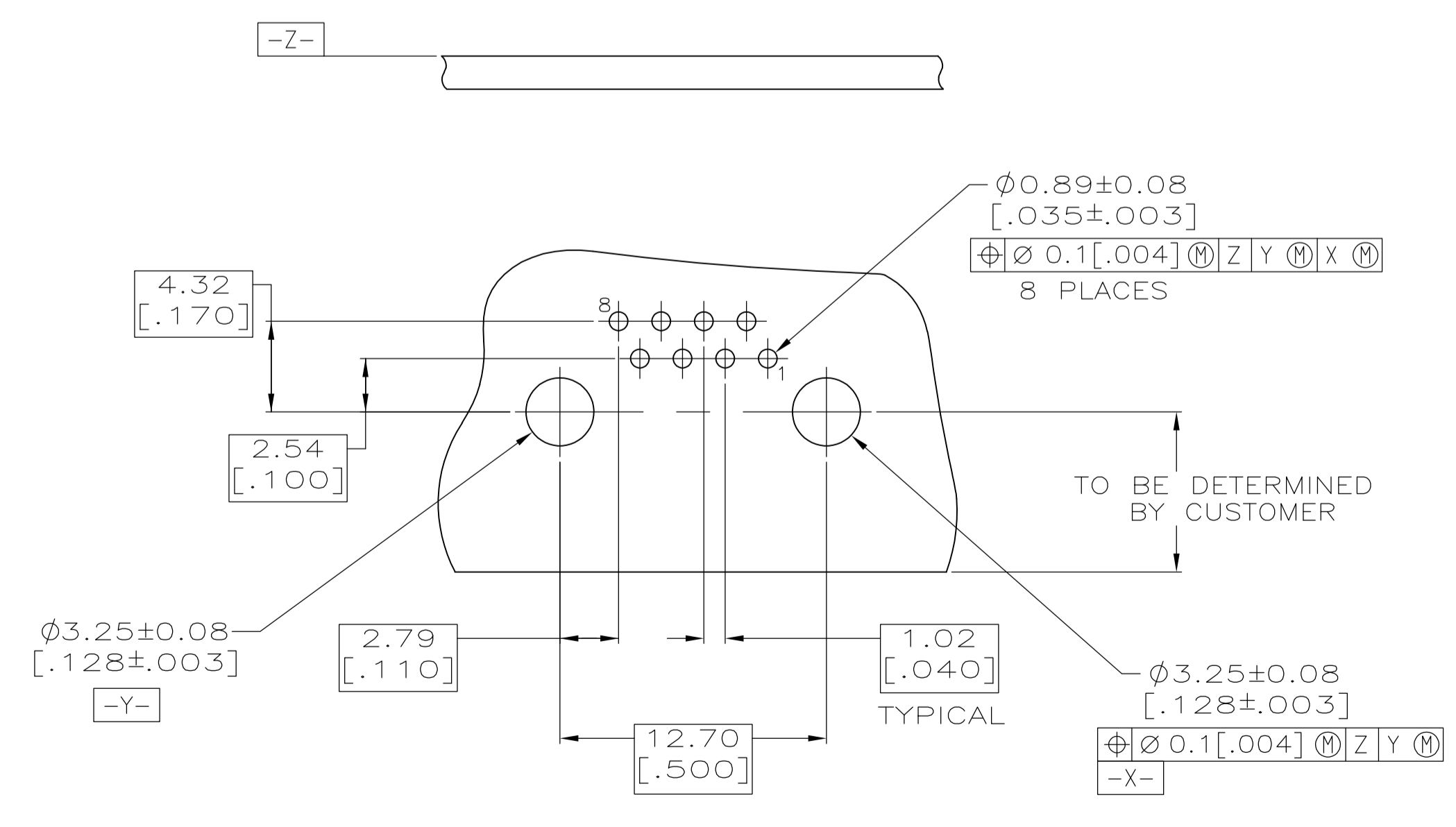
Address: A1208, Overseas Decoration Building, #122 Zhenhua RD., Futian, Shenzhen, China





DETAIL A  
TUBE PACKAGING  
SCALE 2:1

- △ MATERIAL:  
HOUSING - HIGH TEMPERATURE THERMOPLASTIC, BLACK, UL94V-0; IR REFLOW SOLDERING PROCESS COMPATIBLE.  
TERMINALS - .36[.014] THICK PHOS BRONZE PLATED WITH 3.81µm[.000150] MINIMUM THICK (SEE P/N TABLE) IN SOLDER AREA. 1.27µm[.000050] MINIMUM GOLD IN LOCALIZED PLATE AREA. ENTIRE TERMINAL PLATED WITH 1.27µm[.000050] MINIMUM THICK NICKEL.
- 2. JACK CAVITY CONFORMS TO FCC RULES AND REGULATIONS PART 68, SUBPART F.
- △ SUGGESTED PANEL OPENING DIMENSIONS.
- △ SUGGESTED CLEARANCE BETWEEN BOTTOM OF CONNECTOR AND BOTTOM PANEL OPENING.
- △ PACKAGED 35 PIECES PER TUBE, SEE DETAIL "A".
- △ 80 PIECES/TRAY, 10 TRAYS/BOX.
- △ MANUFACTURING DATE CODE:  
INK STAMP, LOCATED APPROX. AS SHOWN.  
FIRST 2 DIGITS = LAST 2 DIGITS OF YEAR.  
NEXT 2 DIGITS = MANUFACTURING WORK WEEK.  
LAST DIGIT = DAY OF WEEK WITH SUNDAY = 1.



SUGGESTED PRINTED CIRCUIT BOARD LAYOUT  
(COMPONENT SIDE)

MATTE TIN	△ TUBE	1-406525-3
MATTE TIN	△ TRAY, PICK & PLACE COMPATIBLE	1-406525-2
MATTE TIN	TRAY	1-406525-1
BRIGHT TIN-LEAD	△ TUBE	406525-3
BRIGHT TIN-LEAD	△ TRAY, PICK & PLACE COMPATIBLE	406525-2
BRIGHT TIN-LEAD	TRAY	406525-1
△ TERMINAL PLATING	PACKAGING	PART NUMBER

THIS DRAWING IS A CONTROLLED DOCUMENT.

DIMENSIONS: mm [INCHES]	TOLERANCES UNLESS OTHERWISE SPECIFIED: 0. PLC ± - 1. PLC ± - 2. PLC ± 0.25[.010] 3. PLC ± 0.13[.005] 4. PLC ± - ANGLES ± -	DIN G. GARRETT 17SEP97 C/K G. GARRETT 17SEP97 A/P/D M. DERSTINE 17SEP97	NAME 108-1163-4	APPROVED M. DERSTINE 17SEP97	TE Connectivity
MATERIAL	FINISH	SIZE A1	WEIGHT	SCALE 4:1	RESTRICTED TO
		CAGE CODE 00779	DRAWING NO. 406525	SHEET 1 OF 1	REV D2

CUSTOMER DRAWING