



Chipsmall Limited consists of a professional team with an average of over 10 year of expertise in the distribution of electronic components. Based in Hongkong, we have already established firm and mutual-benefit business relationships with customers from,Europe,America and south Asia,supplying obsolete and hard-to-find components to meet their specific needs.

With the principle of “Quality Parts,Customers Priority,Honest Operation,and Considerate Service”,our business mainly focus on the distribution of electronic components. Line cards we deal with include Microchip,ALPS,ROHM,Xilinx,Pulse,ON,Everlight and Freescale. Main products comprise IC,Modules,Potentiometer,IC Socket,Relay,Connector.Our parts cover such applications as commercial,industrial, and automotives areas.

We are looking forward to setting up business relationship with you and hope to provide you with the best service and solution. Let us make a better world for our industry!



Contact us

Tel: +86-755-8981 8866 Fax: +86-755-8427 6832

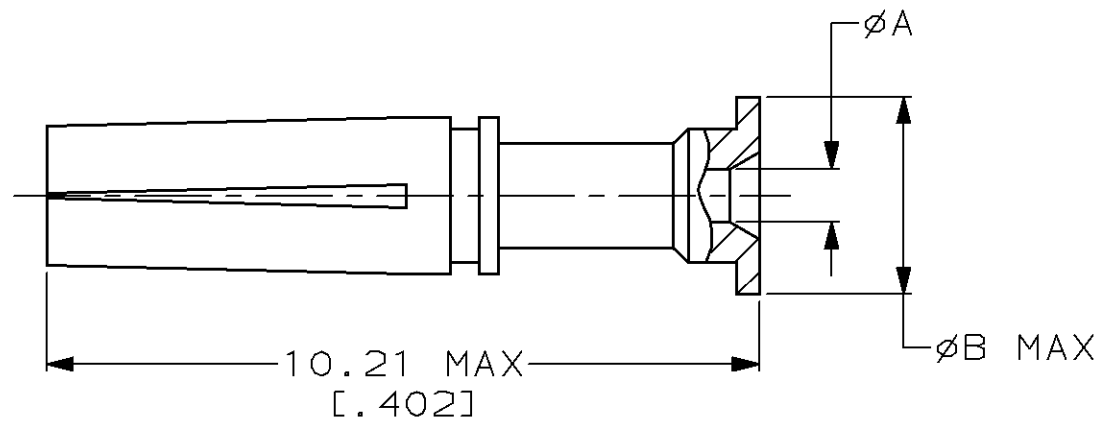
Email & Skype: info@chipsmall.com Web: www.chipsmall.com

Address: A1208, Overseas Decoration Building, #122 Zhenhua RD., Futian, Shenzhen, China



THIS DRAWING IS UNPUBLISHED. RELEASED FOR PUBLICATION, 19 .
 © COPYRIGHT 19 BY AMP INCORPORATED. ALL INTERNATIONAL RIGHTS RESERVED.

LOC	DIST	P	F	REVISIONS				
				ZONE	LTR	DESCRIPTION	DATE	APPD
AJ	16				A	REV PER AJ-5095	3-19-91	SDK
					B	RELEASE -25 PER 93-3331-008-002	9-3-91	MEC
					C	RELEASE -30 PER 93-3331-008-001	26/AUG/93	MEC
					D	OBSOLETE -25 PER EC 0220-0810-95	19JAN96	MEC



1. BERYLLIUM COPPER PER QQ-C-530
2. GOLD PLATE PER MIL-G-45204, 0.76 μ m [.000030] MIN THICKNESS

	2.74 [.098]	0.33 [.013]	3-413746-0
OBSOLETE	2.67 [.105]	0.61 [.024]	2-413746-5
	2.67 [.105]	0.89 [.035]	2-413746-0
	2.67 [.105]	0.38 [.015]	1-413746-5
	2.67 [.105]	0.51 [.020]	1-413746-0
	2.67 [.105]	0.71 [.028]	413746-5
	B	A	PART NUMBER

DO NOT SCALE PRINT. UNLESS SPECIFIED DIMENSIONS IN INCHES TOLERANCES ON: 2 PLC DEC \pm 0.03 [.001] 3 PLC DEC \pm - ANGLES \pm -		DR. D.LAMAN 4-12-90	AMP AMP Incorporated Harrisburg, PA 17105-3608
MATERIAL SEE NOTES		CHK R.E.RUTH 4/26/90	
FINISH SEE NOTES		APPD M.PHILLIPS 4/26/90	NAME CONTACT, JACK, 75 OHM, BNC
		APPD R.E.RUTH 4/26/90	SIZE B
		PRODUCT SPEC -	CAGE CODE 00779
		APPLICATION SPEC -	DRAWING NO 413746
		WEIGHT -	SCALE 10:1
			SHEET 1 OF 1