



Chipsmall Limited consists of a professional team with an average of over 10 year of expertise in the distribution of electronic components. Based in Hongkong, we have already established firm and mutual-benefit business relationships with customers from,Europe,America and south Asia,supplying obsolete and hard-to-find components to meet their specific needs.

With the principle of "Quality Parts,Customers Priority,Honest Operation,and Considerate Service",our business mainly focus on the distribution of electronic components. Line cards we deal with include Microchip,ALPS,ROHM,Xilinx,Pulse,ON,Everlight and Freescale. Main products comprise IC,Modules,Potentiometer,IC Socket,Relay,Connector.Our parts cover such applications as commercial,industrial, and automotives areas.

We are looking forward to setting up business relationship with you and hope to provide you with the best service and solution. Let us make a better world for our industry!



Contact us

Tel: +86-755-8981 8866 Fax: +86-755-8427 6832

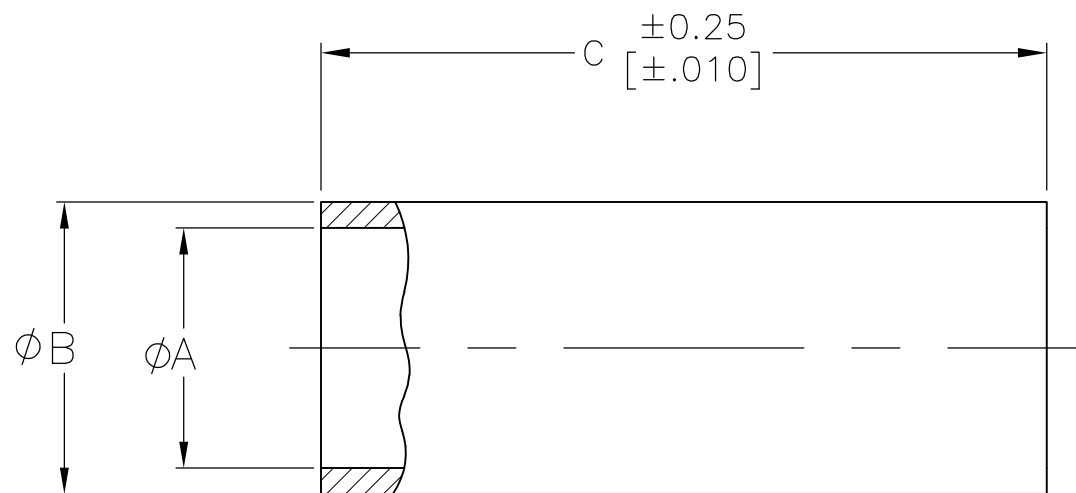
Email & Skype: info@chipsmall.com Web: www.chipsmall.com

Address: A1208, Overseas Decoration Building, #122 Zhenhua RD., Futian, Shenzhen, China



THIS DRAWING IS UNPUBLISHED. RELEASED FOR PUBLICATION
 © COPYRIGHT BY TYCO ELECTRONICS CORPORATION. ALL RIGHTS RESERVED.

LOC	DIST	REVISIONS					
AJ	16	P	LTR	DESCRIPTION	DATE	DWN	APVD
			G	REVISED PER ECO-10-008433	22MAY10	HMR	KW



9.60	[.380]	4.55	[.179]	3.51	[.138]	△6	9-413889-1
9.60	[.380]	3.86	[.152]	3.20	[.126]	△6	9-413889-0
9.60	[.380]	4.55	[.179]	3.51	[.138]	△4	3-413889-4
7.87	[.310]	3.15	[.124]	2.49	[.098]	△4	3-413889-3
7.87	[.310]	4.55	[.179]	3.20	[.138]	△4	3-413889-2
7.87	[.310]	3.86	[.152]	3.20	[.126]	△4	3-413889-1
7.87	[.310]	3.15	[.124]	2.49	[.098]	△3	3-413889-0
7.87	[.310]	4.55	[.179]	3.51	[.138]	△3	2-413889-7
7.87	[.310]	3.86	[.152]	3.20	[.126]	△3	2-413889-4
9.60	[.380]	3.86	[.152]	3.20	[.126]	△5	2-413889-1
9.60	[.380]	3.86	[.152]	2.67	[.105]	△4	2-413889-0
9.60	[.380]	3.15	[.124]	2.49	[.098]	△4	1-413889-9
9.60	[.380]	4.55	[.179]	3.51	[.138]	△4	1-413889-8
9.60	[.380]	3.86	[.152]	3.20	[.126]	△4	1-413889-7
9.60	[.380]	3.86	[.152]	2.67	[.105]	△3	1-413889-6
9.60	[.380]	3.15	[.124]	2.49	[.098]	△3	1-413889-5
9.60	[.380]	4.55	[.179]	3.51	[.138]	△3	1-413889-4
9.60	[.380]	3.86	[.152]	3.20	[.126]	△3	1-413889-3
9.60	[.380]	3.86	[.152]	2.67	[.105]	△2	1-413889-2
9.60	[.380]	3.15	[.124]	2.49	[.098]	△2	413889-9
9.60	[.380]	4.55	[.179]	3.51	[.138]	△2	413889-6
9.60	[.380]	3.86	[.152]	3.20	[.126]	△2	413889-3
		C	B	A	FINISH	PART NUMBER	

OBSOLETE

- △1 COPPER ALLOY
- △2 BRIGHT TIN-LEAD PLATE PER ASTM B 545 WITH SUPPLEMENTAL ANTI-FRETTING LUBRICANT.
- △3 NICKEL PLATE.
- △4 GOLD PLATE
- △5 BLACK NICKEL PLATE.
- △6 TIN PLATE PER ASTM B 545 WITH SUPPLEMENTAL ANTI-FRETTING LUBRICANT.

THIS DRAWING IS A CONTROLLED DOCUMENT.		DWN	M. O'BRINE	29OCT99	Tyco Electronics Corporation Harrisburg, Pa 17105-3608
DIMENSIONS: mm [INCHES]		CHK	B. MOYER	29OCT99	
TOLERANCES UNLESS OTHERWISE SPECIFIED:		APVD	B. MOYER	29OCT99	NAME
0 PLC ± - 1 PLC ± - 2 PLC ± 0.05 [.002] 3 PLC ± - 4 PLC ± - ANGLES ± -		PRODUCT SPEC		FERRULE	
MATERIAL		APPLICATION SPEC		SIZE	
△1		FINISH		CAGE CODE	
SEE TABLE		WEIGHT		DRAWING NO	
		-		A3 00779 C-413889	
		CUSTOMER DRAWING		RESTRICTED TO	
				SCALE 10:1 SHEET 1 OF 1 REV G	