



Chipsmall Limited consists of a professional team with an average of over 10 year of expertise in the distribution of electronic components. Based in Hongkong, we have already established firm and mutual-benefit business relationships with customers from,Europe,America and south Asia,supplying obsolete and hard-to-find components to meet their specific needs.

With the principle of “Quality Parts,Customers Priority,Honest Operation,and Considerate Service”,our business mainly focus on the distribution of electronic components. Line cards we deal with include Microchip,ALPS,ROHM,Xilinx,Pulse,ON,Everlight and Freescale. Main products comprise IC,Modules,Potentiometer,IC Socket,Relay,Connector.Our parts cover such applications as commercial,industrial, and automotives areas.

We are looking forward to setting up business relationship with you and hope to provide you with the best service and solution. Let us make a better world for our industry!



Contact us

Tel: +86-755-8981 8866 Fax: +86-755-8427 6832

Email & Skype: info@chipsmall.com Web: www.chipsmall.com

Address: A1208, Overseas Decoration Building, #122 Zhenhua RD., Futian, Shenzhen, China



4

3

2

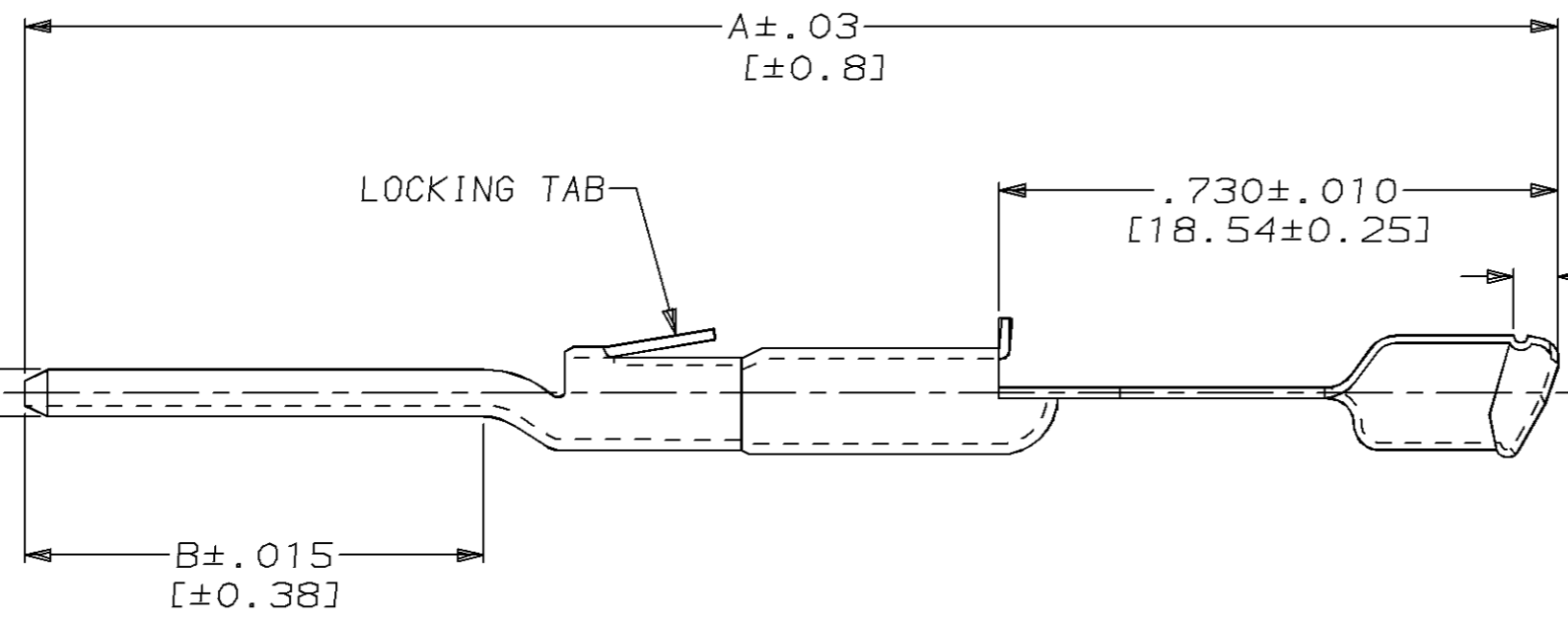
1

THIS DRAWING IS UNPUBLISHED. RELEASED FOR PUBLICATION .19 .
 © COPYRIGHT 19 BY AMP INCORPORATED. ALL RIGHTS RESERVED.

PROD CODE	LOC	DIST	REVISIONS						
P	LTR	DESCRIPTION	DATE	DWN	APVD				
4595	DF	PO	C			REV & REDRAWN; 0600-1587-94 CT	6-94	CCT	JN

.031
[0.79]

.062
[1.57]



- 1 GOLD IN CRITICAL AREA ONLY, NICKEL ON ALL OF CONTACT.
- 2 GOLD IN CRITICAL AREA ONLY, NICKEL ON ALL OF CONTACT WITH LOCKING TAB DEPRESSED.
- 3 GOLD IN CRITICAL AREA ONLY, NICKEL ON ALL OF CONTACT WITH LOCKING TAB DEPRESSED.

.670 [17.02]	2.12 [53.85]	3	1-424156-6
.570 [14.48]	2.02 [51.31]	2	1-424156-2
.570 [14.48]	2.02 [51.31]	1	424156-8
DIM B	DIM A	FINISH	PART NO.

THIS DRAWING IS A CONTROLLED DOCUMENT FOR AMP INCORPORATED. IT IS SUBJECT TO CHANGE AND THE CONTROLLING ENGINEERING ORGANIZATION SHOULD BE CONTACTED FOR THE LATEST REVISION.		CHK C.C. THOMAS 6-6-94	AMP Incorporated Harrisburg, PA 17105-3608
TOLERANCES UNLESS OTHERWISE SPECIFIED: 0 PLC ± - 1 PLC ± - 2 PLC ± - 3 PLC ± .005 [0.13] 4 PLC ± - ANGLES ± - FINISH SEE TABLE		APVD J. NORTON 6-7-94	
DIMENSIONS: INCHES [mm]		PRODUCT SPEC J. NORTON 6-7-94	NAME SPRING CONTACT, .031x.062, MODU POST, LEFT HAND
MATERIAL		APPLICATION SPEC	
-		WEIGHT	SIZE A3
CUSTOMER DRAWING		SCALE 4:1	CAGE CODE 00779
		DRAWING NO C-424156	SHEET 1 OF 1
		REV C	