



Chipsmall Limited consists of a professional team with an average of over 10 year of expertise in the distribution of electronic components. Based in Hongkong, we have already established firm and mutual-benefit business relationships with customers from,Europe,America and south Asia,supplying obsolete and hard-to-find components to meet their specific needs.

With the principle of "Quality Parts,Customers Priority,Honest Operation,and Considerate Service",our business mainly focus on the distribution of electronic components. Line cards we deal with include Microchip,ALPS,ROHM,Xilinx,Pulse,ON,Everlight and Freescale. Main products comprise IC,Modules,Potentiometer,IC Socket,Relay,Connector.Our parts cover such applications as commercial,industrial, and automotives areas.

We are looking forward to setting up business relationship with you and hope to provide you with the best service and solution. Let us make a better world for our industry!



## Contact us

Tel: +86-755-8981 8866 Fax: +86-755-8427 6832

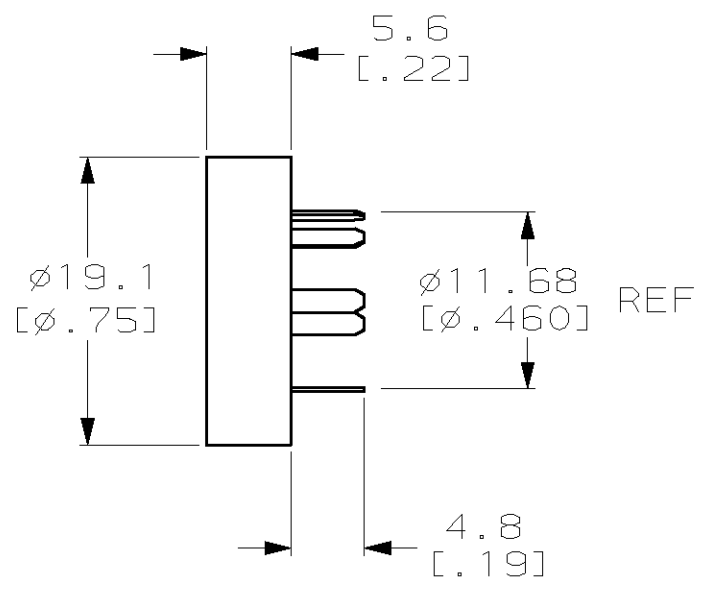
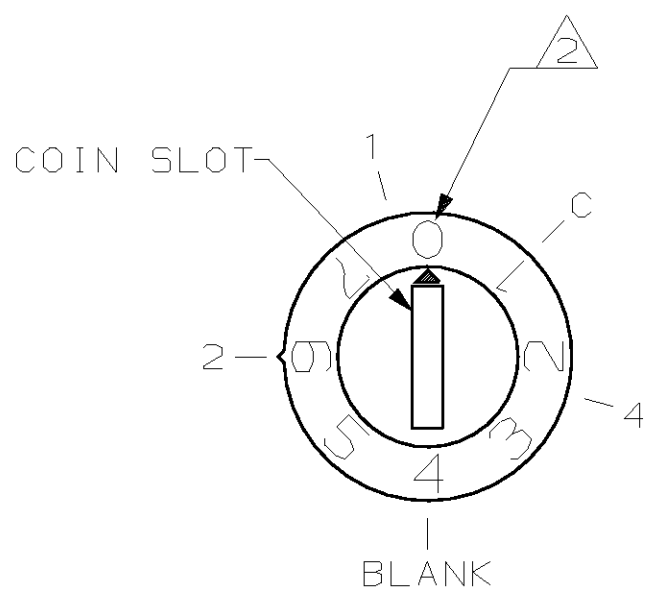
Email & Skype: info@chipsmall.com Web: www.chipsmall.com

Address: A1208, Overseas Decoration Building, #122 Zhenhua RD., Futian, Shenzhen, China

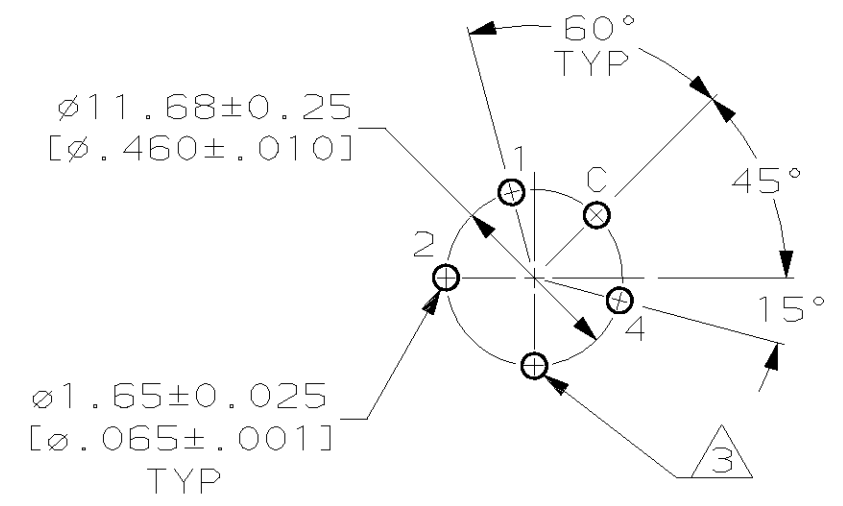


THIS DRAWING IS UNPUBLISHED. RELEASED FOR PUBLICATION ,19 .  
 © COPYRIGHT 19 BY AMP INCORPORATED. ALL RIGHTS RESERVED.

LOC	DIST	REVISIONS					
FT	69	P	LTR	DESCRIPTION	DATE	DWN	APVD
			H	REV PER 0630-0156-03	130CT04	JR	MZ



- ① FINISH: SOLDER TAILS TIN PLATE 0.0051 [.000200] MIN. THICK. CONTACT AREA 0.00076 [.000030] MIN. HARD GOLD OVER 0.00127-0.00254 [.000050-.000100] LOW STRESS NICKEL.
- ② CHARACTERS 2.5 [.10] HIGH, COLOR BLACK.
- ③ BLANK HOLE FOR MECHANICAL STABILITY OF SWITCH.



P.C. BOARD HOLE LAYOUT  
SWITCH SIDE

		SWITCH POSITION							
		0	1	2	3	4	5	6	7
COMMON TO	1		●		●		●		●
	2			●	●			●	●
	4					●	●	●	●

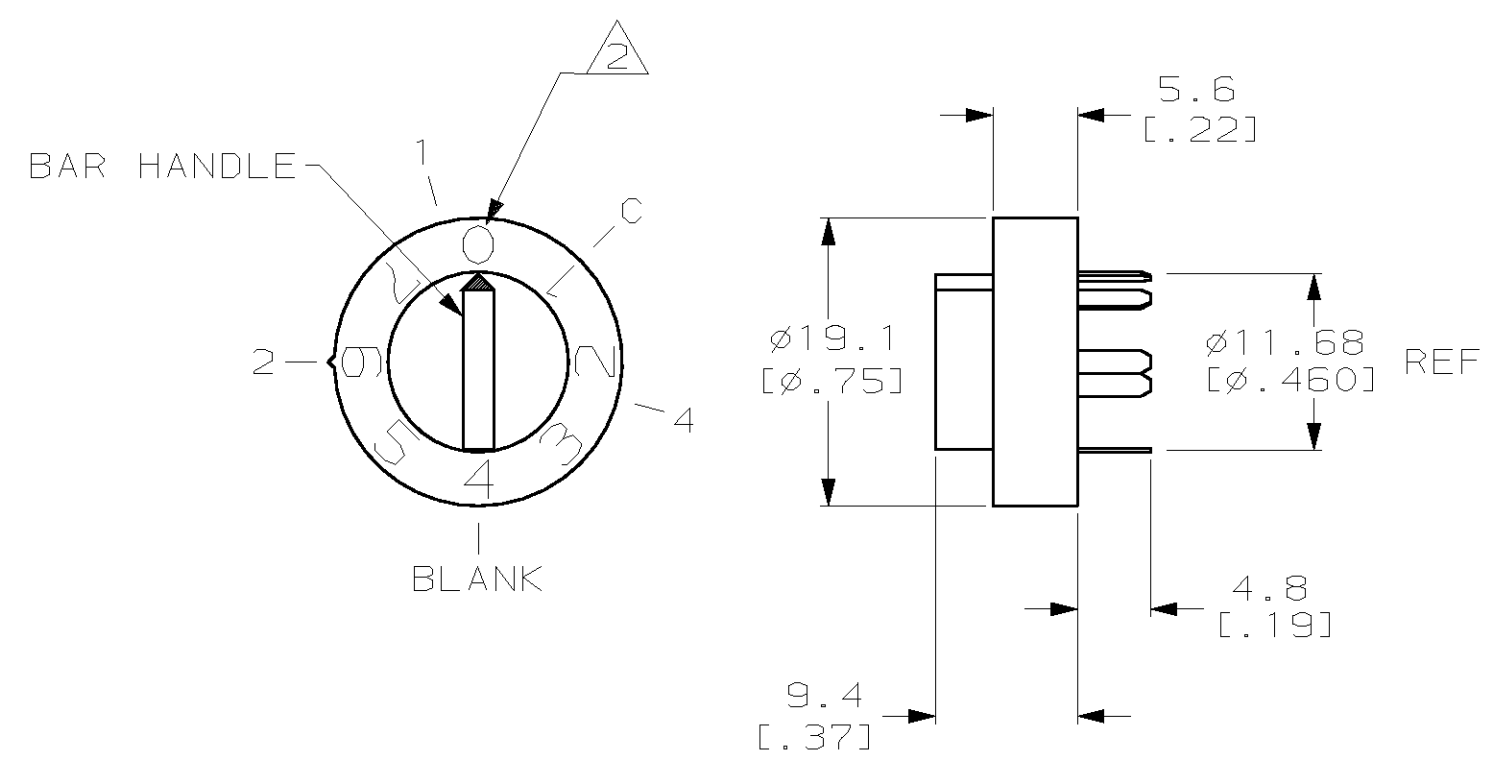
435174-1

PART NO

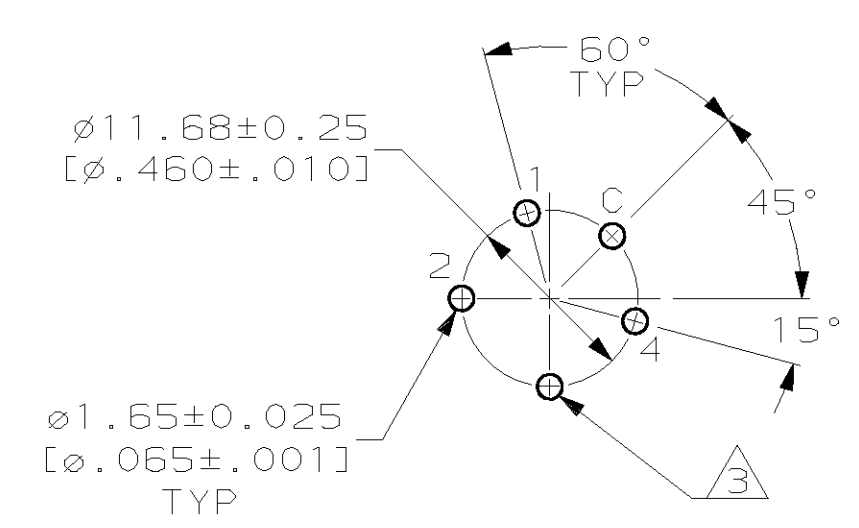
THIS DRAWING IS A CONTROLLED DOCUMENT.		DWN R. TALLEY 8-7-91	<b>AMP</b> AMP Incorporated Harrisburg, PA 17105-3608	
DIMENSIONS: mm [INCHES]		CHK R. MILLER 8-7-91		
TOLERANCES UNLESS OTHERWISE SPECIFIED:		APVD D. HUFFMAN 8-9-91	NAME ROTARY SWITCH ASSY, 8 POSN, 6000 SERIES BCO	
0 PLC ±-		PRODUCT SPEC 108-7514	SIZE A3	
1 PLC ±-		APPLICATION SPEC 114-7005	CAGE CODE 00779	DRAWING NO C- 435174
2 PLC ±0.5 [.02]		WEIGHT -	RESTRICTED TO -	
3 PLC ±-		CUSTOMER DRAWING		
4 PLC ±-		SCALE 2:1		
ANGLES ±0°30'		SHEET 1 OF 3		
MATERIAL CASE: THERMOPLASTIC, COLOR NATURAL CONTACT: BERYLLIUM COPPER		REV H		
FINISH ①				

THIS DRAWING IS UNPUBLISHED. RELEASED FOR PUBLICATION, 19 .  
 © COPYRIGHT 19 BY AMP INCORPORATED. ALL RIGHTS RESERVED.

LOC	DIST	REVISIONS					
FT	69	P	LTR	DESCRIPTION	DATE	DWN	APVD
		H		SEE SHEET 1	-	-	-



- ① FINISH: SOLDER TAILS TIN PLATE 0.0051 [.000200] MIN. THICK. CONTACT AREA 0.00076 [.000030] MIN. HARD GOLD OVER 0.00127-0.00254 [.000050-.000100] LOW STRESS NICKEL.
- ② CHARACTERS 2.5 [.10] HIGH, COLOR BLACK.
- ③ BLANK HOLE FOR MECHANICAL STABILITY OF SWITCH.



P.C. BOARD HOLE LAYOUT  
SWITCH SIDE

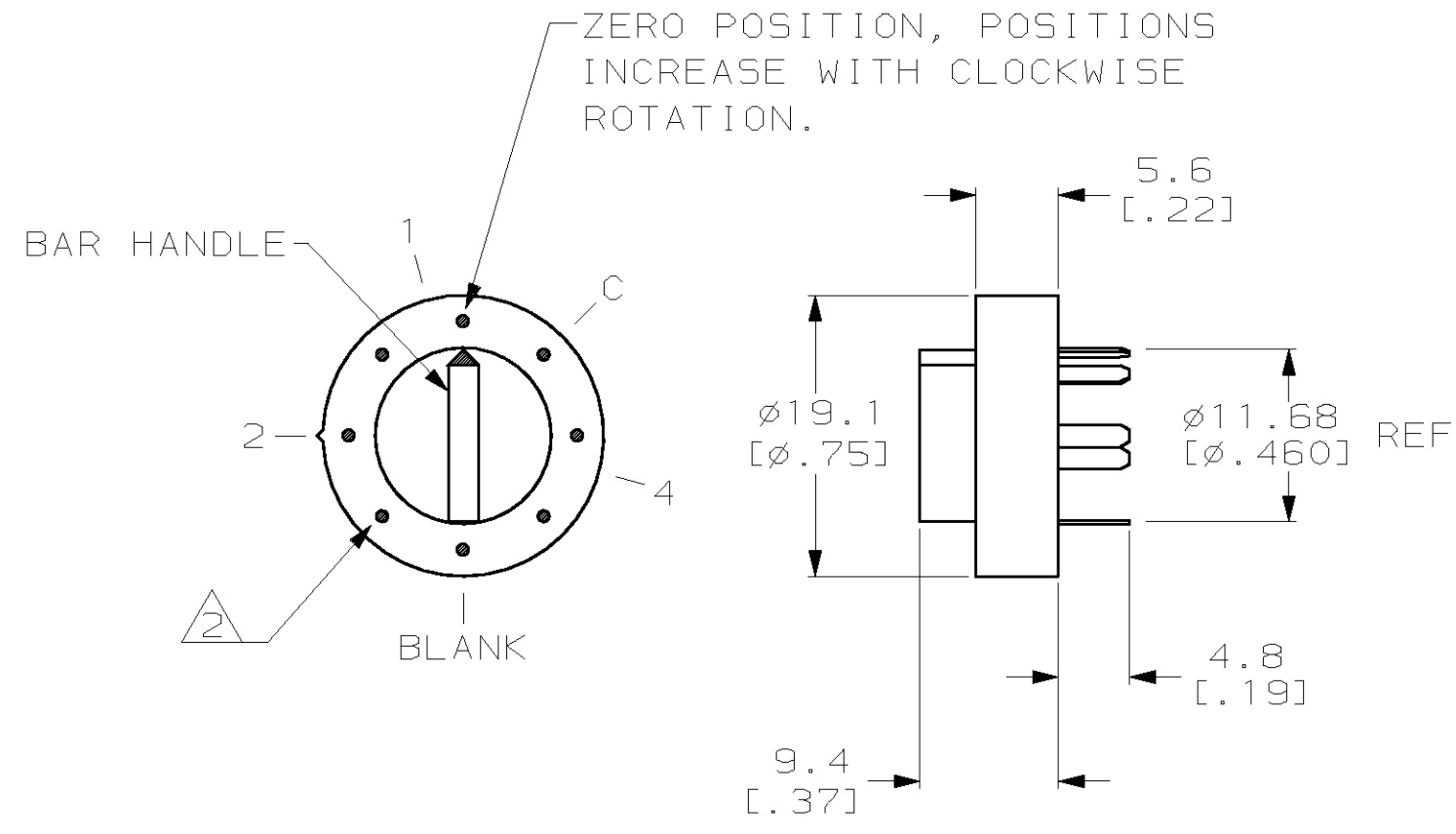
		SWITCH POSITION							
		0	1	2	3	4	5	6	7
COMMON TO	1		●		●		●		●
	2			●	●			●	●
	4					●	●	●	●

1-435174-1  
PART NO

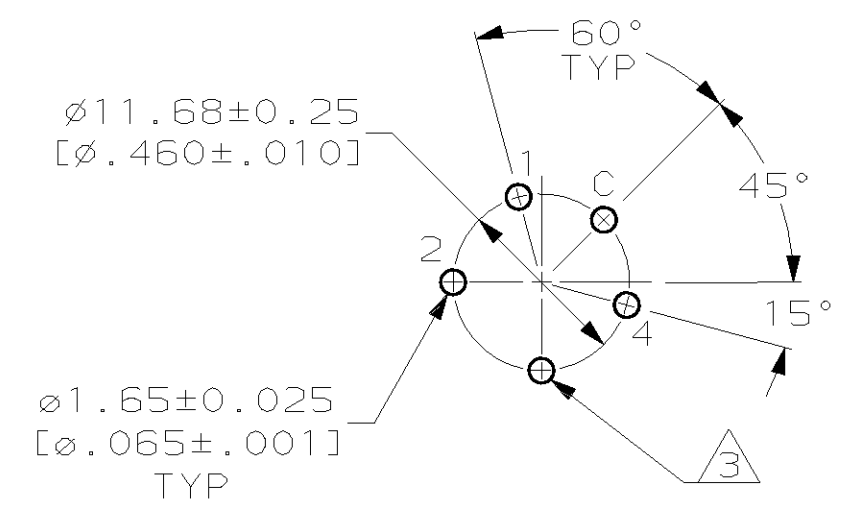
THIS DRAWING IS A CONTROLLED DOCUMENT.		DWN R. TALLEY 8-7-91	<b>AMP</b> AMP Incorporated Harrisburg, PA 17105-3608	
		CHK R. MILLER 8-7-91		
DIMENSIONS: mm [INCHES]		APVD D. HUFFMAN 8-9-91	NAME ROTARY SWITCH ASSY, 8 POSN, 6000 SERIES BCO	
TOLERANCES UNLESS OTHERWISE SPECIFIED: 0 PLC ±- 1 PLC ±- 2 PLC ±0.5 [.02] 3 PLC ±- 4 PLC ±- ANGLES ±0°30'		PRODUCT SPEC 108-7514	DRAWING NO A3 00779 C- 435174	
MATERIAL CASE: THERMOPLASTIC, COLOR NATURAL CONTACT: BERYLLIUM COPPER		FINISH ①	APPLICATION SPEC 114-7005	RESTRICTED TO -
		WEIGHT -	SCALE 2:1	SHEET 2 OF 3
		CUSTOMER DRAWING	REV H	

THIS DRAWING IS UNPUBLISHED. RELEASED FOR PUBLICATION ,19 .  
 © COPYRIGHT 19 BY AMP INCORPORATED. ALL RIGHTS RESERVED.

LOC	DIST	REVISIONS					
FT	69	P	LTR	DESCRIPTION	DATE	DWN	APVD
		H		SEE SHEET 1	-	-	-



- ① FINISH: SOLDER TAILS TIN PLATE 0.0051 [.000200] MIN. THICK. CONTACT AREA 0.00076 [.000030] MIN. HARD GOLD OVER 0.00127-0.00254 [.000050-.000100] LOW STRESS NICKEL.
- ② POSITION MARKINGS ø7.62 [ø.030], COLOR BLACK.
- ③ BLANK HOLE FOR MECHANICAL STABILITY OF SWITCH.



P.C. BOARD HOLE LAYOUT  
SWITCH SIDE

SUPERSEDED BY 1-435174-1

		SWITCH POSITION							
		0	1	2	3	4	5	6	7
COMMON TO	1		●		●		●		●
	2			●	●			●	●
	4					●	●	●	●

1-435174-3  
PART NO

THIS DRAWING IS A CONTROLLED DOCUMENT.		DWN R. TALLEY 8-7-91	<b>AMP</b> AMP Incorporated Harrisburg, PA 17105-3608	
DIMENSIONS: mm [INCHES]		CHK R. MILLER 8-7-91		
TOLERANCES UNLESS OTHERWISE SPECIFIED:		APVD D. HUFFMAN 8-9-91	NAME ROTARY SWITCH ASSY, 8 POSN, 6000 SERIES BCO	
0 PLC ±-		PRODUCT SPEC 108-7514	SIZE A3	
1 PLC ±-		APPLICATION SPEC 114-7005	CAGE CODE 00779	DRAWING NO C- 435174
2 PLC ±0.5 [.02]		WEIGHT -	RESTRICTED TO -	
3 PLC ±-		CUSTOMER DRAWING		
4 PLC ±-		SCALE 2:1		
ANGLES ±0°30'		SHEET 3 OF 3		
FINISH ①		REV H		
MATERIAL CASE: THERMOPLASTIC, COLOR NATURAL CONTACT: BERYLLIUM COPPER				