



Chipsmall Limited consists of a professional team with an average of over 10 year of expertise in the distribution of electronic components. Based in Hongkong, we have already established firm and mutual-benefit business relationships with customers from,Europe,America and south Asia,supplying obsolete and hard-to-find components to meet their specific needs.

With the principle of “Quality Parts,Customers Priority,Honest Operation,and Considerate Service”,our business mainly focus on the distribution of electronic components. Line cards we deal with include Microchip,ALPS,ROHM,Xilinx,Pulse,ON,Everlight and Freescale. Main products comprise IC,Modules,Potentiometer,IC Socket,Relay,Connector.Our parts cover such applications as commercial,industrial, and automotives areas.

We are looking forward to setting up business relationship with you and hope to provide you with the best service and solution. Let us make a better world for our industry!



## Contact us

Tel: +86-755-8981 8866 Fax: +86-755-8427 6832

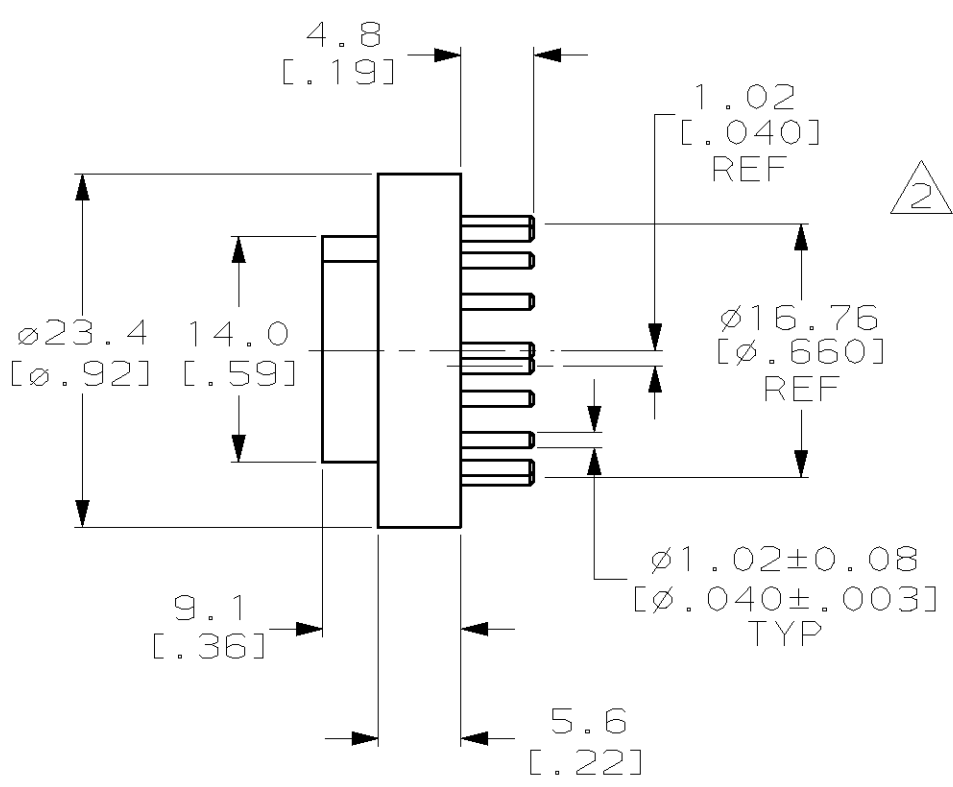
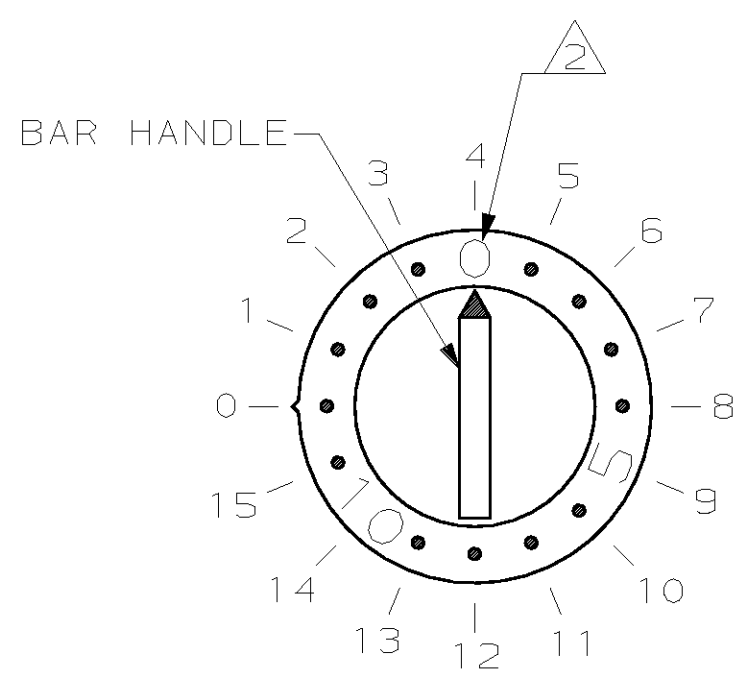
Email & Skype: info@chipsmall.com Web: www.chipsmall.com

Address: A1208, Overseas Decoration Building, #122 Zhenhua RD., Futian, Shenzhen, China

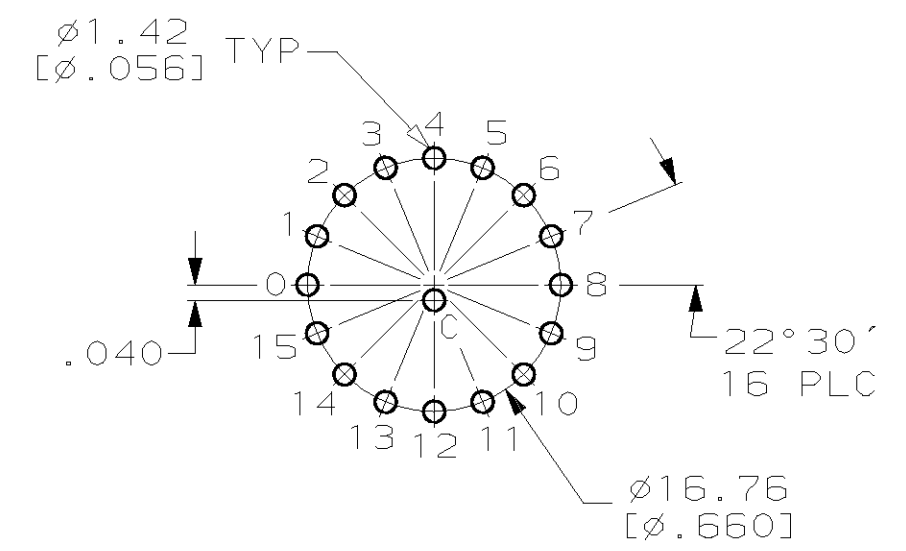


THIS DRAWING IS UNPUBLISHED. RELEASED FOR PUBLICATION ,19 .  
 © COPYRIGHT 19 BY AMP INCORPORATED. ALL RIGHTS RESERVED.

LOC	DIST	REVISIONS					
FT	69	P	LTR	DESCRIPTION	DATE	DWN	APVD
			K	REV PER 063C-0765-04	30NOV04	RB	MZ



1 FINISH: SOLDER TAILS TIN PLATE 0.0038 [.000150] MIN THK OVER 0.0013 [.000050] MIN THK NICKEL. CONTACT AREA 0.00076 [.000030] MIN. HARD GOLD OVER 0.00127-0.00254 [.000050-.000100] LOW STRESS NICKEL.  
 2 CHARACTERS 2.5 [.10] HIGH, COLOR BLACK.



COMMON TO	SWITCH POSITION															
	0	1	2	3	4	5	6	7	8	9	10	11	12	13	14	15
0	●															
1		●														
2			●													
3				●												
4					●											
5						●										
6							●									
7								●								
8									●							
9										●						
10											●					
11												●				
12													●			
13														●		
14															●	
15																●

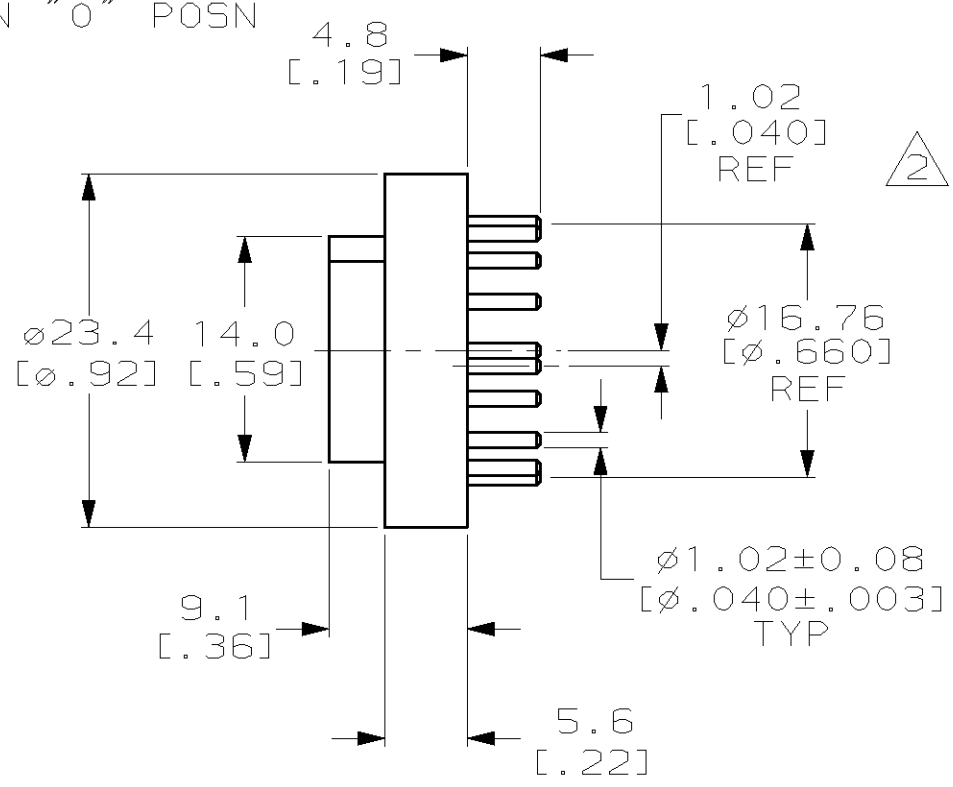
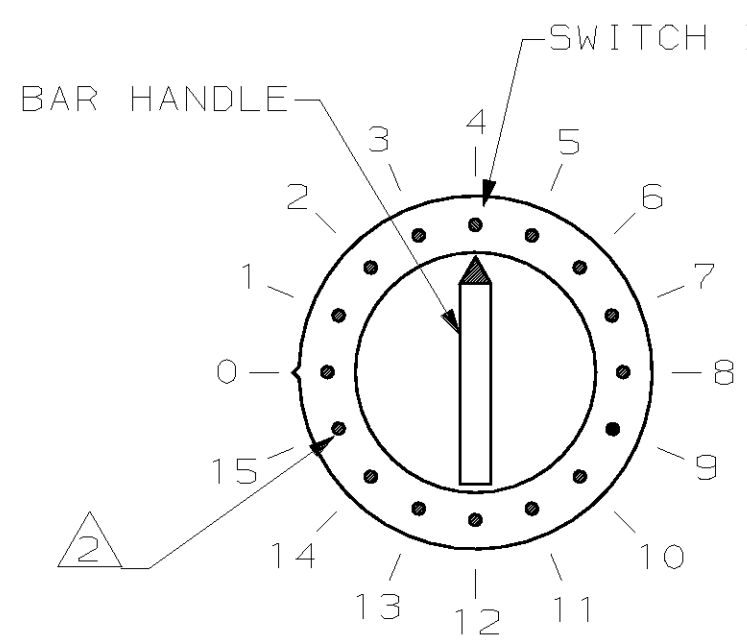
P.C. BOARD HOLE LAYOUT SWITCH SIDE

1-435304-1  
PART NO

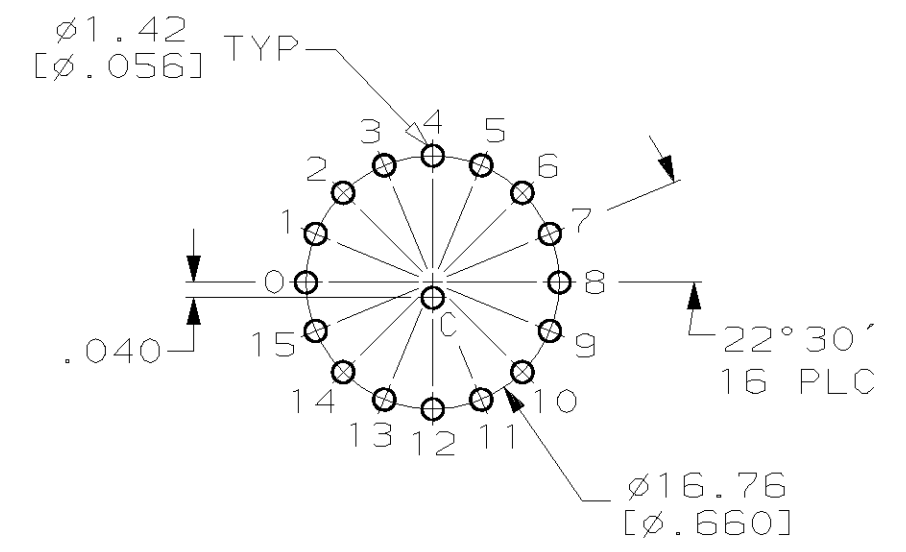
THIS DRAWING IS A CONTROLLED DOCUMENT.		DWN R. TALLEY 8-7-92	AMP Incorporated Harrisburg, PA 17105-3608				
DIMENSIONS: mm [INCHES]		CHK R. MILLER 8-7-92					
TOLERANCES UNLESS OTHERWISE SPECIFIED:		APVD D. HUFFMAN 8-9-91	NAME <b>ROTARY SWITCH ASSY, 16 POSN, 6000 SERIES SINGLE POLE</b>				
0 PLC ±- 1 PLC ±- 2 PLC ±0.5 [.02] 3 PLC ±- 4 PLC ±- ANGLES ±0°30'		PRODUCT SPEC 108-7514					
MATERIAL CASE: THERMOPLASTIC, COLOR NATURAL CONTACT: BRASS		FINISH 1	APPLICATION SPEC 114-7005	SIZE A3	CAGE CODE 00779	DRAWING NO C-435304	RESTRICTED TO -
CUSTOMER DRAWING			WEIGHT -	SCALE 2:1	SHEET 1 OF 3	REV K	

THIS DRAWING IS UNPUBLISHED. RELEASED FOR PUBLICATION, 19...  
 © COPYRIGHT 19 BY AMP INCORPORATED. ALL RIGHTS RESERVED.

LOC	DIST	REVISIONS					
FT	69	P	LTR	DESCRIPTION	DATE	DWN	APVD
		-		SEE SHEET 1	-	-	-



- 1 FINISH: SOLDER TAILS TIN PLATE 0.0038 [.000150] MIN THK OVER 0.0013 [.000050] MIN THK NICKEL. CONTACT AREA 0.00076 [.000030] MIN. HARD GOLD OVER 0.00127-0.00254 [.000050-.000100] LOW STRESS NICKEL.
- 2 POSITION MARKINGS ø7.62 [ø.030], COLOR BLACK.



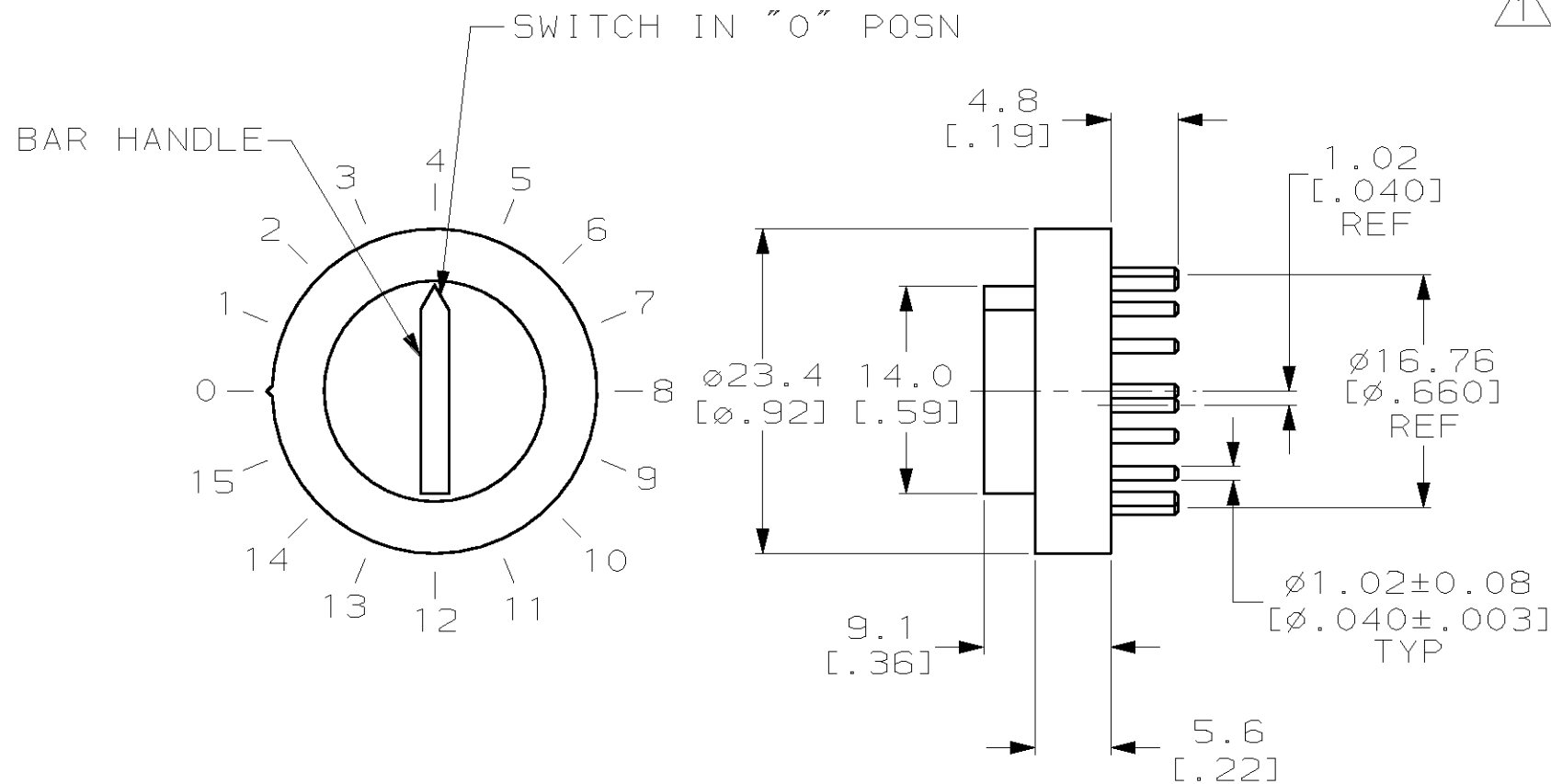
COMMON TO	SWITCH POSITION															
	0	1	2	3	4	5	6	7	8	9	10	11	12	13	14	15
0	●															
1		●														
2			●													
3				●												
4					●											
5						●										
6							●									
7								●								
8									●							
9										●						
10											●					
11												●				
12													●			
13														●		
14															●	
15																●

P.C. BOARD HOLE LAYOUT SWITCH SIDE

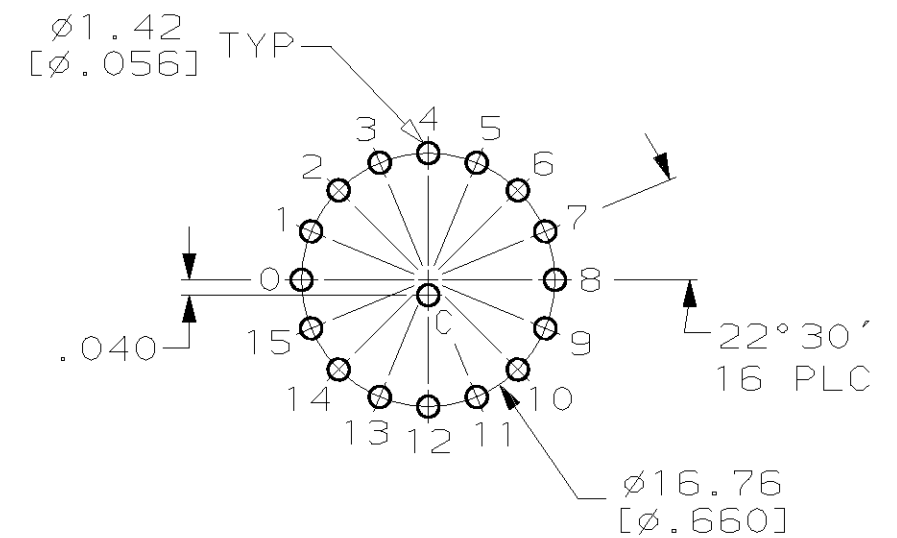
**OBSOLETE** 1-435304-3

THIS DRAWING IS A CONTROLLED DOCUMENT.		DWN R. TALLEY 8-7-92	AMP Incorporated Harrisburg, PA 17105-3608	
DIMENSIONS: mm [INCHES]		CHK R. MILLER 8-7-92		
TOLERANCES UNLESS OTHERWISE SPECIFIED:		APVD D. HUFFMAN 8-9-91	NAME ROTARY SWITCH ASSY, 16 POSN, 6000 SERIES SINGLE POLE	
0 PLC ±- 1 PLC ±- 2 PLC ±0.5 [.02] 3 PLC ±- 4 PLC ±- ANGLES ±0°30'		PRODUCT SPEC 108-7514	DRAWING NO 435304	
MATERIAL CASE: THERMOPLASTIC, COLOR NATURAL CONTACT: BRASS		APPLICATION SPEC 114-7005	SIZE A3	RESTRICTED TO -
FINISH 1		WEIGHT -	CAGE CODE 00779	SHEET 2 OF 3
		CUSTOMER DRAWING	SCALE 2:1	REV K

LOC FT	DIST 69	REVISIONS			
P	LTR	DESCRIPTION	DATE	DWN	APVD
	-	SEE SHEET 1	-	-	-



1 FINISH: SOLDER TAILS TIN PLATE 0.0038 [.000150] MIN THK OVER 0.0013 [.000050] MIN THK NICKEL. CONTACT AREA 0.00076 [.000030] MIN. HARD GOLD OVER 0.00127-0.00254 [.000050-.000100] LOW STRESS NICKEL.



	SWITCH POSITION															
	0	1	2	3	4	5	6	7	8	9	10	11	12	13	14	15
0	●															
1		●														
2			●													
3				●												
4					●											
5						●										
6							●									
7								●								
8									●							
9										●						
10											●					
11												●				
12													●			
13														●		
14															●	
15																●

**OBSOLETE** 1-435304-4

PART NO

THIS DRAWING IS A CONTROLLED DOCUMENT.		DWN C. WHITT 9-10-92	AMP Incorporated Harrisburg, PA 17105-3608	
DIMENSIONS: mm [INCHES]		CHK R. TALLEY 9-11-92	NAME ROTARY SWITCH ASSY, 16 POSN, 6000 SERIES SINGLE POLE	
TOLERANCES UNLESS OTHERWISE SPECIFIED: 0 PLC ±- 1 PLC ±- 2 PLC ±0.5 [.02] 3 PLC ±- 4 PLC ±- ANGLES ±0°30'		APVD D. HUFFMAN 9-11-92	PRODUCT SPEC 108-7514	
MATERIAL CASE: THERMOPLASTIC, COLOR NATURAL CONTACT: BRASS		FINISH 1	APPLICATION SPEC 114-7005	RESTRICTED TO -
CUSTOMER DRAWING		WEIGHT -	SIZE A3	CAGE CODE 00779
		DRAWING NO C- 435304		SCALE 2:1
		SHEET 3 OF 3		REV K