



Chipsmall Limited consists of a professional team with an average of over 10 year of expertise in the distribution of electronic components. Based in Hongkong, we have already established firm and mutual-benefit business relationships with customers from,Europe,America and south Asia,supplying obsolete and hard-to-find components to meet their specific needs.

With the principle of “Quality Parts,Customers Priority,Honest Operation,and Considerate Service”,our business mainly focus on the distribution of electronic components. Line cards we deal with include Microchip,ALPS,ROHM,Xilinx,Pulse,ON,Everlight and Freescale. Main products comprise IC,Modules,Potentiometer,IC Socket,Relay,Connector.Our parts cover such applications as commercial,industrial, and automotives areas.

We are looking forward to setting up business relationship with you and hope to provide you with the best service and solution. Let us make a better world for our industry!



## Contact us

Tel: +86-755-8981 8866 Fax: +86-755-8427 6832

Email & Skype: info@chipsmall.com Web: www.chipsmall.com

Address: A1208, Overseas Decoration Building, #122 Zhenhua RD., Futian, Shenzhen, China



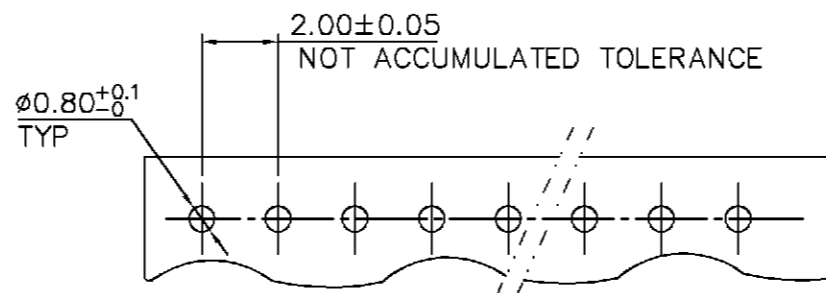
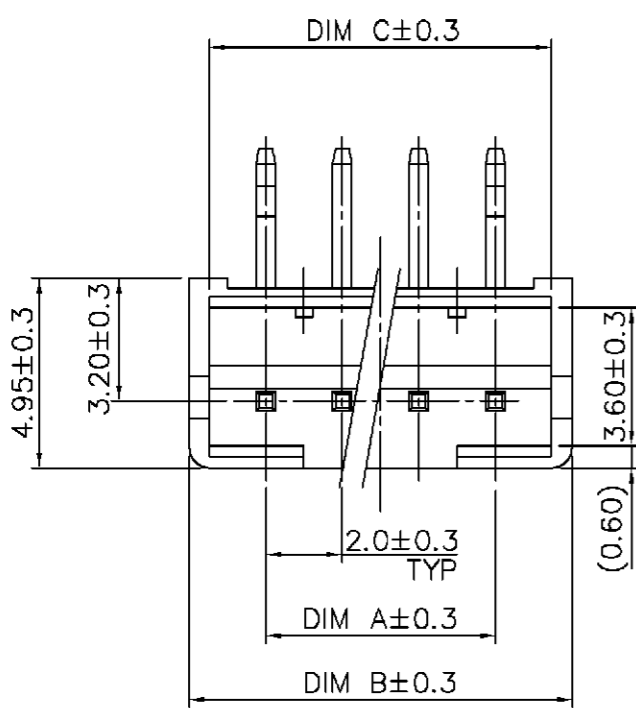
NUMBER  
C-440055

3RD ANGLE PROJECTION

METRIC

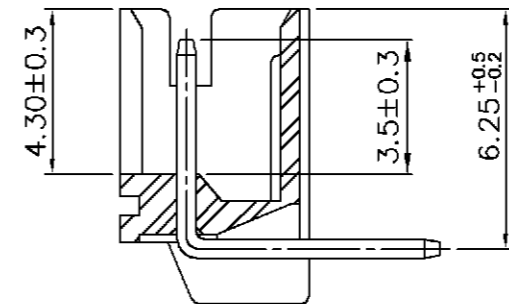
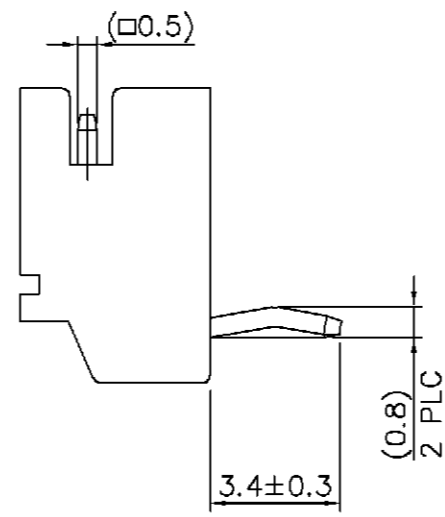
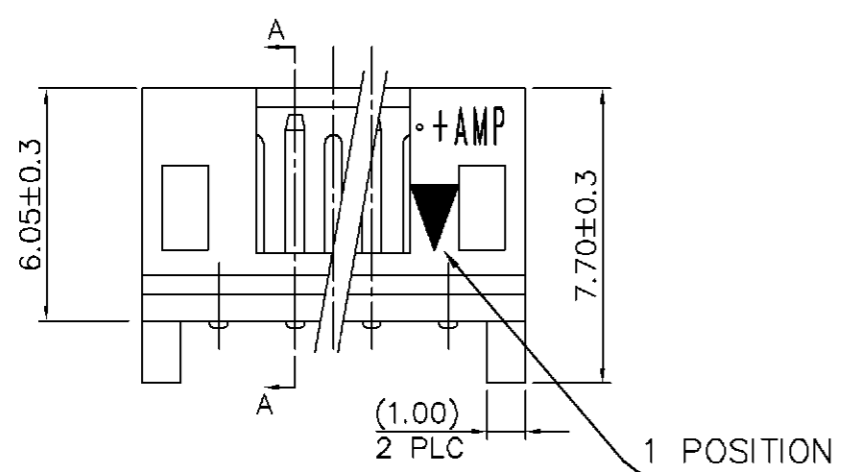
DIMENSIONS IN MILLIMETERS. DO NOT SCALE PRINT.

PRINT DIST  
DW

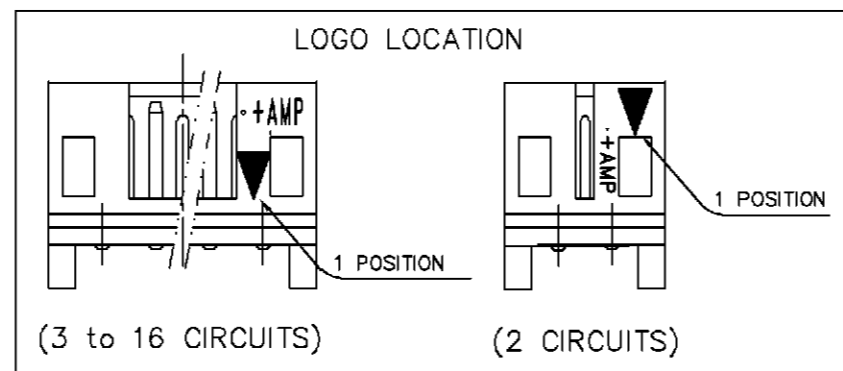
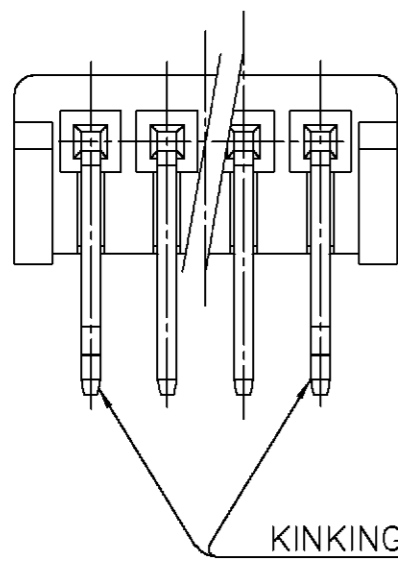


RECOMMENDED PCB LAYOUT  
(PCB THK=1.0~1.6)

- NOTE:
- MATERIAL : HOUSING : THERMOPLASTIC UL94V-0, COLOR: SEE TABLE. CONTACT : BRASS, THICKNESS=0.50mm.
  - FINISH: CONTACT : 80u" MIN. TIN PLATED OVER ALL.



SECTION A-A



COLOR	DIM C	DIM B	DIM A	POS.	PART NUMBER
RED	10.90	12.00	8.00	5P	8-440055-5
	8.90	10.00	6.00	4P	8-440055-4
	6.90	8.00	4.00	3P	8-440055-3
	4.90	6.00	2.00	2P	8-440055-2
BLACK	10.90	12.00	8.00	5P	6-440055-5
	8.90	10.00	6.00	4P	6-440055-4
	6.90	8.00	4.00	3P	6-440055-3
	4.90	6.00	2.00	2P	6-440055-2
YELLOW	24.90	26.00	22.00	12P	5-440055-2
	22.90	24.00	20.00	11P	5-440055-1
	20.90	22.00	18.00	10P	5-440055-0
	18.90	20.00	16.00	9P	4-440055-9
	16.90	18.00	14.00	8P	4-440055-8
	14.90	16.00	12.00	7P	4-440055-7
	12.90	14.00	10.00	6P	4-440055-6
	10.90	12.00	8.00	5P	4-440055-5
	8.90	10.00	6.00	4P	4-440055-4
	6.90	8.00	4.00	3P	4-440055-3
BLUE	10.90	12.00	8.00	5P	2-440055-5
	8.90	10.00	6.00	4P	2-440055-4
	6.90	8.00	4.00	3P	2-440055-3
	4.90	6.00	2.00	2P	2-440055-2
NATURAL WHITE	32.90	34.00	30.00	16P	1-440055-6
	30.90	32.00	28.00	15P	1-440055-5
	28.90	30.00	26.00	14P	1-440055-4
	26.90	28.00	24.00	13P	1-440055-3
	24.90	26.00	22.00	12P	1-440055-2
	22.90	24.00	20.00	11P	1-440055-1
	20.90	22.00	18.00	10P	1-440055-0
	18.90	20.00	16.00	9P	440055-9
	16.90	18.00	14.00	8P	440055-8
	14.90	16.00	12.00	7P	440055-7
NATURAL WHITE	12.90	14.00	10.00	6P	440055-6
	10.90	12.00	8.00	5P	440055-5
	8.90	10.00	6.00	4P	440055-4
	6.90	8.00	4.00	3P	440055-3
4.90	6.00	2.00	2P	440055-2	

TOLERANCES UNLESS OTHERWISE SPECIFIED: 0 PLC ±0.30 1 PLC ±0.25 2 PLC ±0.20 3 PLC ±0.15 ANGLES ±	DWN O. HU 09-JUN-2003	
MATERIAL SEE NOTE	CHK A. WU 09-JUN-2003	
FINISH SEE NOTE	APVD J. CHENG 09-JUN-2003	NAME 2.0 MM PITCH HPI, RIGHT-ANGLE POST HEADERS
	PRODUCT SPEC 108-57100	LOC DW A <sub>3</sub> DRAWING NO C-440055 REV B1
	APPLICATION SPEC -	SCALE -- SHEET 1 OF 2
	WEIGHT	

B1	REVISION RECORD	ECO	REVISOR	DATE

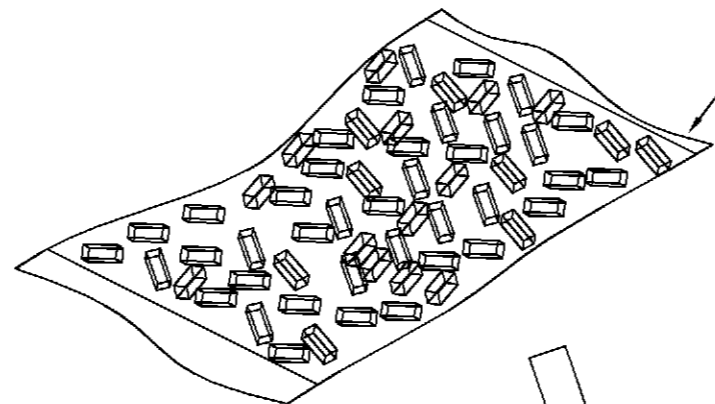
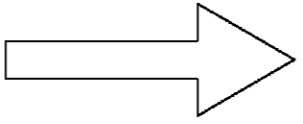
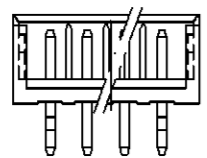
NUMBER  
C-440055

3RD ANGLE PROJECTION

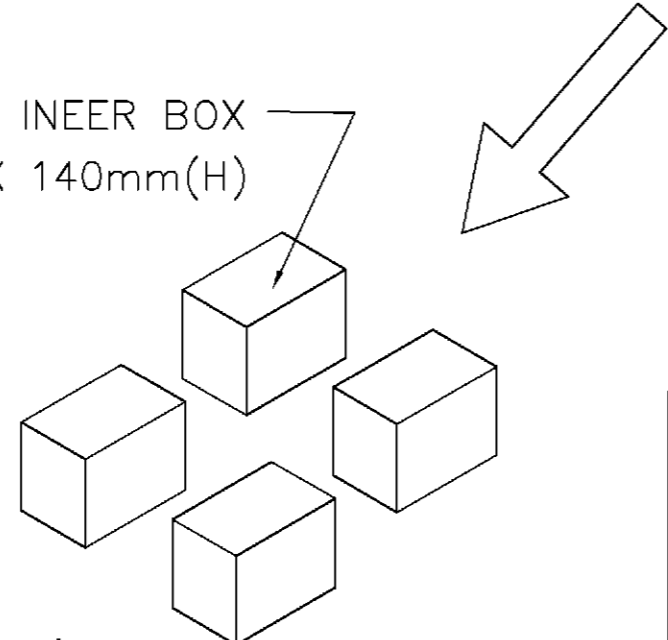
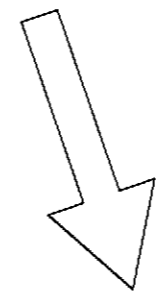
METRIC

DIMENSIONS IN MILLIMETERS. DO NOT SCALE PRINT.

PRINT DIST  
DW

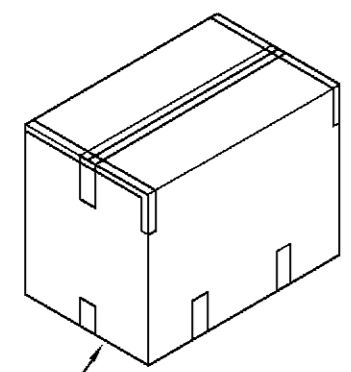
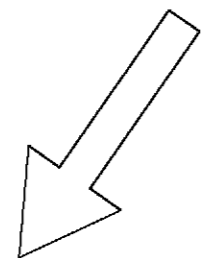


POLY BAG  
127mm(L)X 203mm(W)X 0.07mm(H)

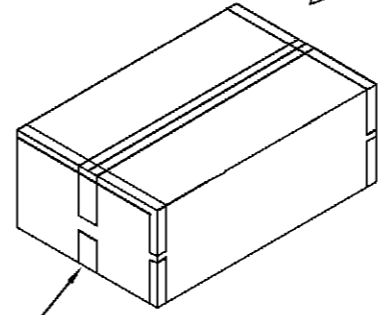
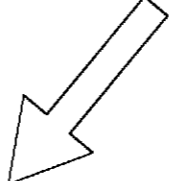
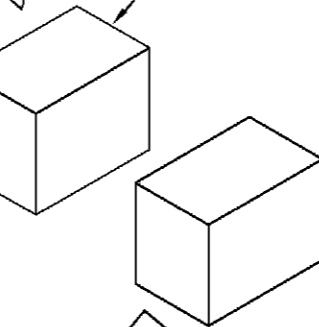


INEER BOX  
320mm(L)X 220mm(W)X 140mm(H)

INEER BOX  
320mm(L)X 220mm(W)X 140mm(H)



CARTON  
340mm(L)X 470mm(W)X 316mm(H)  
(FOR HEADER 6P~16P ONLY)



CARTON  
340mm(L)X 470mm(W)X 168mm(H)  
(FOR HEADER 2P~5P ONLY)

14,400	450	5P	8-440055-5
17,600	550	4P	8-440055-4
24,000	1,000	3P	8-440055-3
32,000	1,000	2P	8-440055-2
14,400	450	5P	6-440055-5
17,600	550	4P	6-440055-4
24,000	1,000	3P	6-440055-3
32,000	1,000	2P	6-440055-2
12,800	200	12P	5-440055-2
14,000	250	11P	5-440055-1
14,000	250	10P	5-440055-0
16,800	300	9P	4-440055-9
19,200	300	8P	4-440055-8
22,400	350	7P	4-440055-7
25,600	400	6P	4-440055-6
14,400	450	5P	4-440055-5
17,600	550	4P	4-440055-4
24,000	1,000	3P	4-440055-3
32,000	1,000	2P	4-440055-2
14,400	450	5P	2-440055-5
17,600	550	4P	2-440055-4
24,000	1,000	3P	2-440055-3
32,000	1,000	2P	2-440055-2
10,080	180	16P	1-440055-6
10,800	180	15P	1-440054-5
10,400	200	14P	1-440055-4
9,600	200	13P	1-440055-3
12,800	200	12P	1-440055-2
14,000	250	11P	1-440055-1
14,000	250	10P	1-440055-0
16,800	300	9P	440055-9
19,200	300	8P	440055-8
22,400	350	7P	440055-7
25,600	400	6P	440055-6
14,400	450	5P	440054-5
17,600	550	4P	440055-4
24,000	1,000	3P	440055-3
32,000	1,000	2P	440055-2
APQ	PPQ	POS.	PART NUMBER
(PCS/CARTON)	(PCS/BAG)		

TOLERANCES UNLESS OTHERWISE SPECIFIED: 0 PLC ± 1 PLC ± 2 PLC ± 3 PLC ± ANGLES ±	DWN	O. HU	TE Connectivity NAME
		09-JUN-2003	
MATERIAL  SEE SHEET 1.	CHK	A. WU	2.0 MM PITCH HPI, RIGHT- ANGLE POST HEADERS
		09-JUN-2003	
FINISH  SEE SHEET 1.	APVD	J. CHENG	LOC SIZE DRAWING NO REV DW A <sub>3</sub> C-440055 B1
		09-JUN-2003	
	PRODUCT SPEC	108-57100	
	APPLICATION SPEC	-	
	WEIGHT	-	SCALE SHEET
			-- 2 OF 2

LTR	REVISION RECORD	ECO	DWN	CHK	DATE
	SEE SHEET 1.				