



Chipsmall Limited consists of a professional team with an average of over 10 year of expertise in the distribution of electronic components. Based in Hongkong, we have already established firm and mutual-benefit business relationships with customers from,Europe,America and south Asia,supplying obsolete and hard-to-find components to meet their specific needs.

With the principle of “Quality Parts,Customers Priority,Honest Operation,and Considerate Service”,our business mainly focus on the distribution of electronic components. Line cards we deal with include Microchip,ALPS,ROHM,Xilinx,Pulse,ON,Everlight and Freescale. Main products comprise IC,Modules,Potentiometer,IC Socket,Relay,Connector.Our parts cover such applications as commercial,industrial, and automotives areas.

We are looking forward to setting up business relationship with you and hope to provide you with the best service and solution. Let us make a better world for our industry!



Contact us

Tel: +86-755-8981 8866 Fax: +86-755-8427 6832

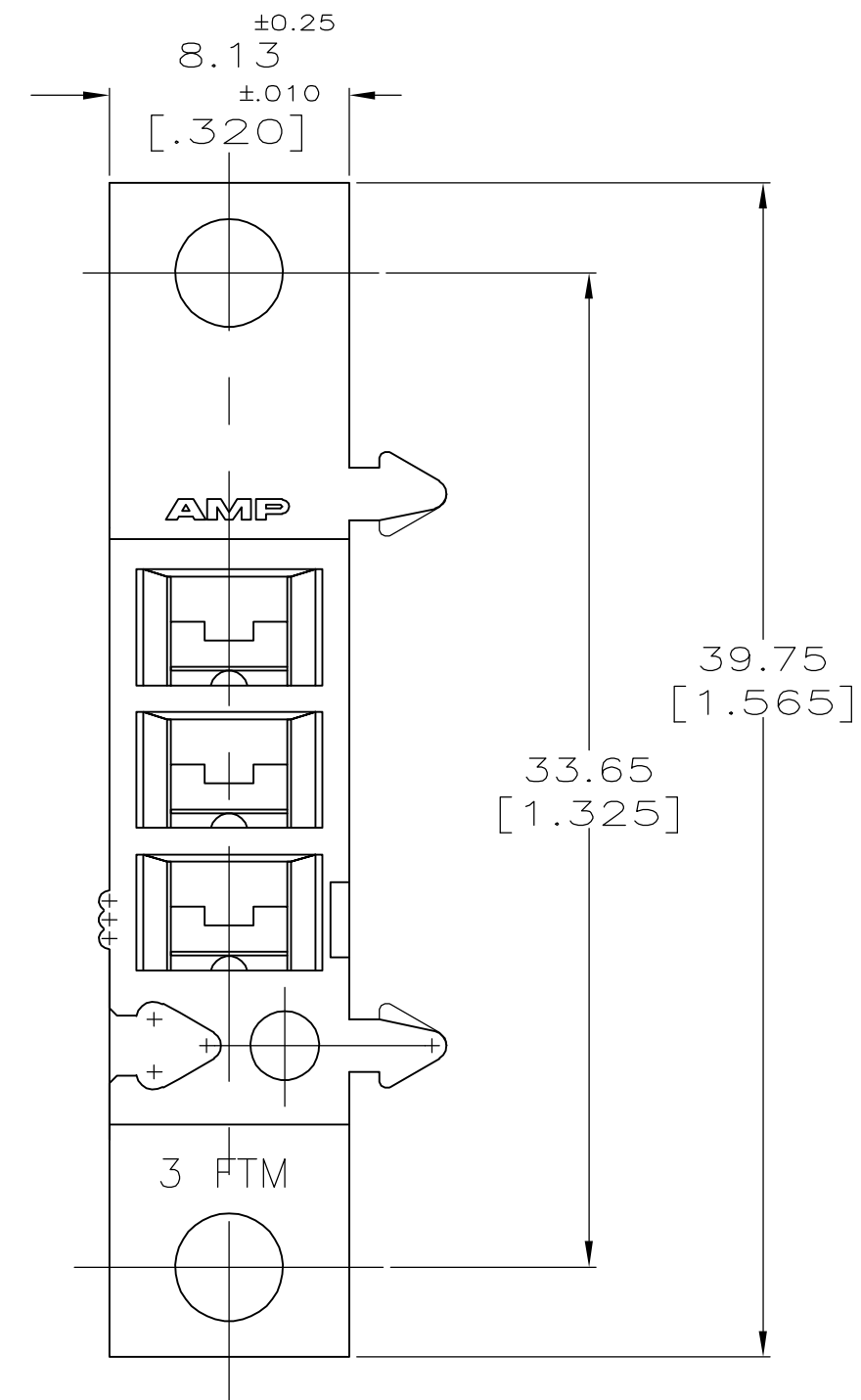
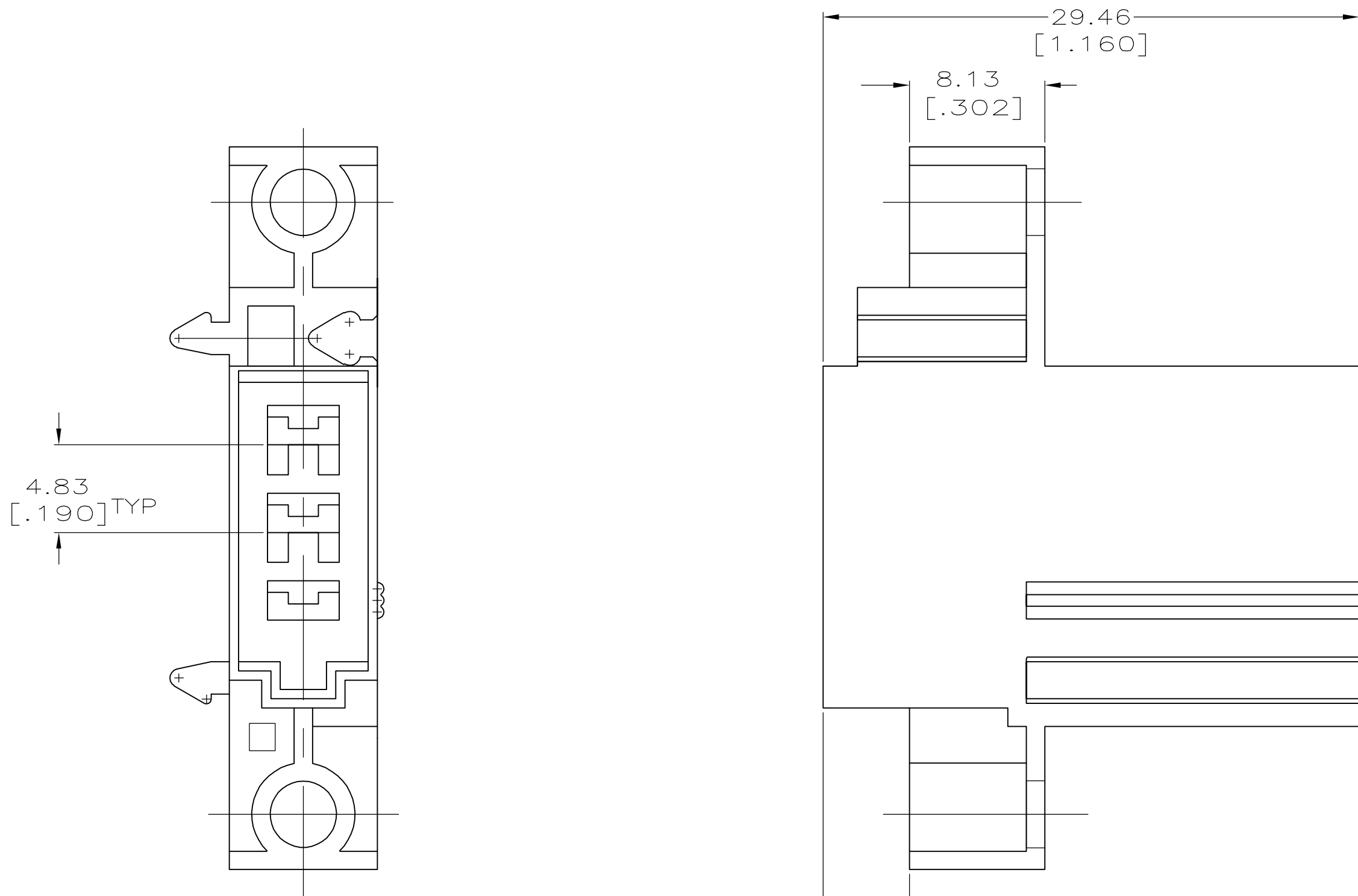
Email & Skype: info@chipsmall.com Web: www.chipsmall.com

Address: A1208, Overseas Decoration Building, #122 Zhenhua RD., Futian, Shenzhen, China



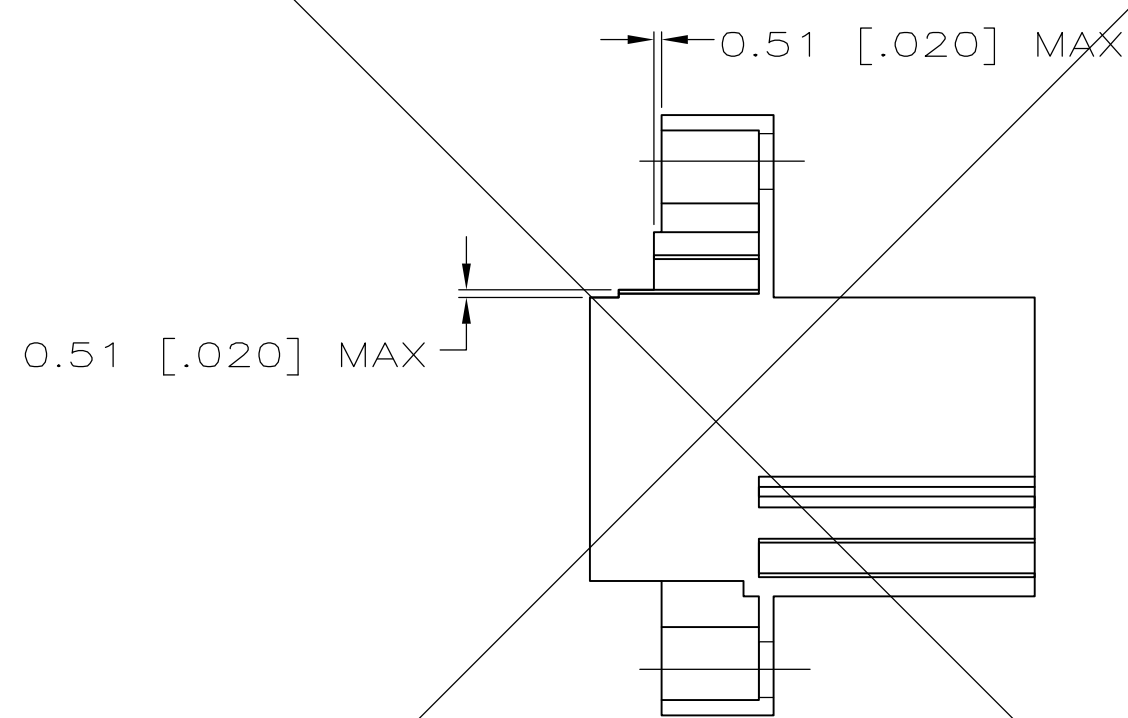
THIS DRAWING IS UNPUBLISHED. RELEASED FOR PUBLICATION
 © COPYRIGHT BY TYCO ELECTRONICS CORPORATION. ALL RIGHTS RESERVED.

LOC		DIST		REVISIONS			
P	LTR	DESCRIPTION		DATE	DWN	APVD	
AF	50	U1	REV PER ECR 05-004536	03OCT05	JR	KR	



4.75
[.187]

- 1 USE TERMINAL 60434
- 2 FOR MOUNTING HOLE DIMENSIONS SEE CP-22678 AND CP-22893
- 3 FOR MOUNTING HOLE DIMENSIONS FOR 2-480251-0 SEE CP-24310



2-480251-0 ONLY

NATURAL	2-480251-0
RED	1-480251-9
BLACK	1-480251-8
GRAY	1-480251-7
VIOLET	1-480251-6
BLUE	1-480251-5
GREEN	1-480251-4
YELLOW	1-480251-3
ORANGE	1-480251-2
BROWN	1-480251-1
NATURAL	1-480251-0
COLOR	PART NO.

THIS DRAWING IS A CONTROLLED DOCUMENT.		DWN	JR RUTH	2/23/94	 Tyco Electronics Corporation Harrisburg, PA 17105-3608
DIMENSIONS: INCHES		CHK	MS FEHER	2/23/94	
TOLERANCES UNLESS OTHERWISE SPECIFIED:		APVD	R BEAVER	2/23/94	
0 PLC ± - 1 PLC ± - 2 PLC ± 0.38 [.015] 3 PLC ± - 4 PLC ± - ANGLES ± - FINISH SEE TABLE		PRODUCT SPEC	NAME		
MATERIAL NYLON		APPLICATION SPEC	HOUSING, TAB, FASTON, 4.75 [.187] SERIES		RESTRICTED TO
WEIGHT -		SIZE	A2	CAGE CODE	00779
CUSTOMER DRAWING		DRAWING NO	C=480251		SCALE
SCALE 4:1		SHEET	1 of 1		REV
					U1