



Chipsmall Limited consists of a professional team with an average of over 10 year of expertise in the distribution of electronic components. Based in Hongkong, we have already established firm and mutual-benefit business relationships with customers from,Europe,America and south Asia,supplying obsolete and hard-to-find components to meet their specific needs.

With the principle of “Quality Parts,Customers Priority,Honest Operation,and Considerate Service”,our business mainly focus on the distribution of electronic components. Line cards we deal with include Microchip,ALPS,ROHM,Xilinx,Pulse,ON,Everlight and Freescale. Main products comprise IC,Modules,Potentiometer,IC Socket,Relay,Connector.Our parts cover such applications as commercial,industrial, and automotives areas.

We are looking forward to setting up business relationship with you and hope to provide you with the best service and solution. Let us make a better world for our industry!



Contact us

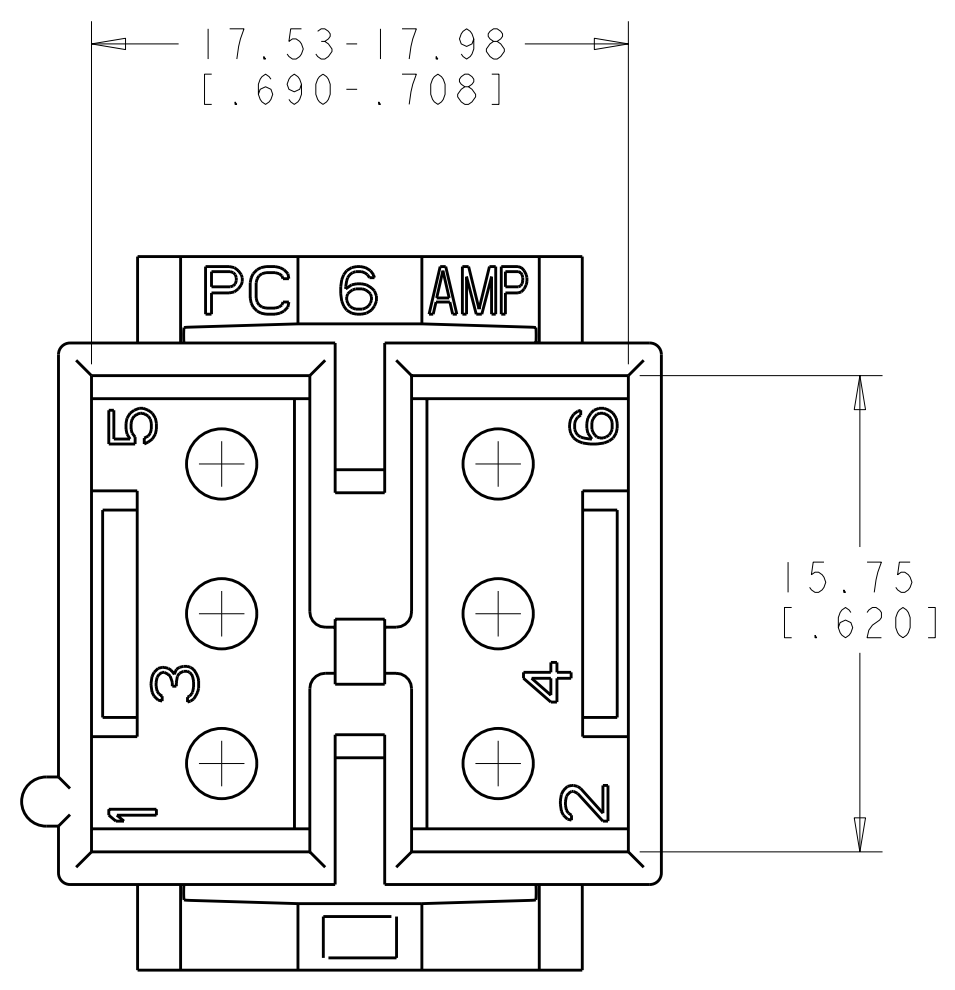
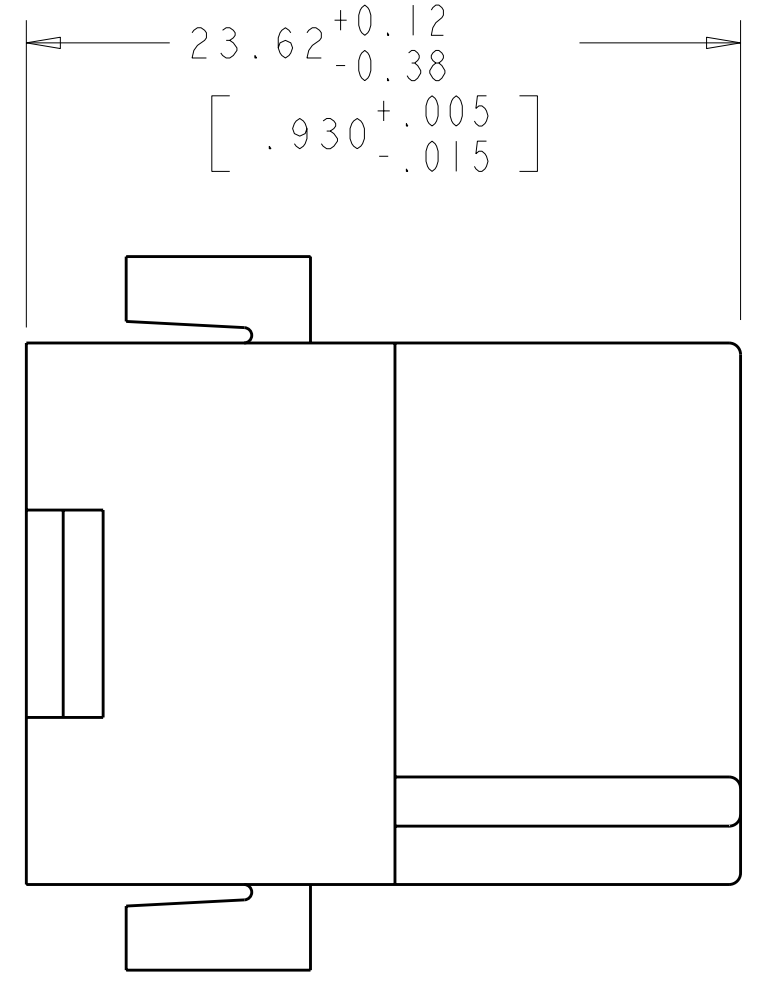
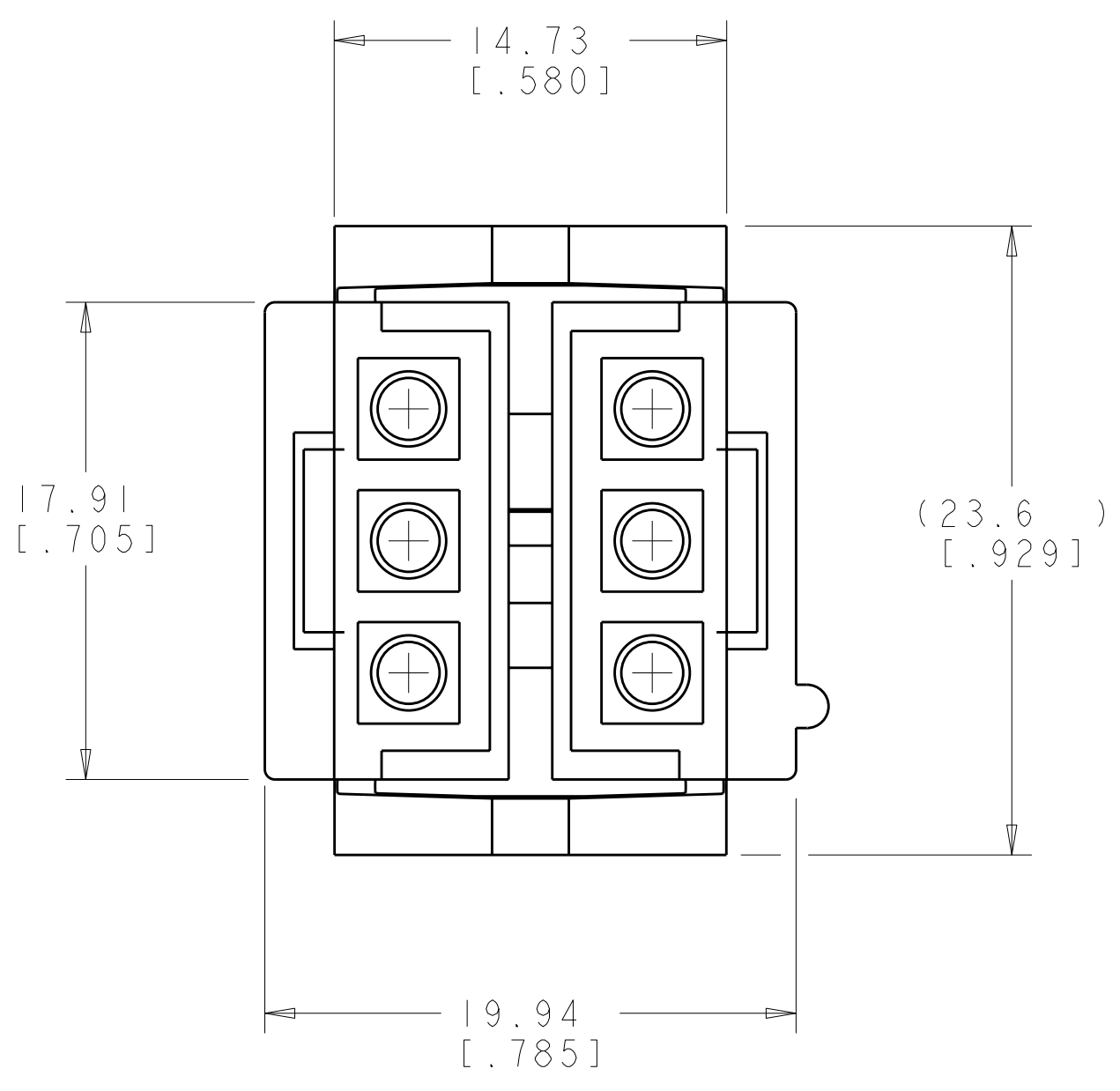
Tel: +86-755-8981 8866 Fax: +86-755-8427 6832

Email & Skype: info@chipsmall.com Web: www.chipsmall.com

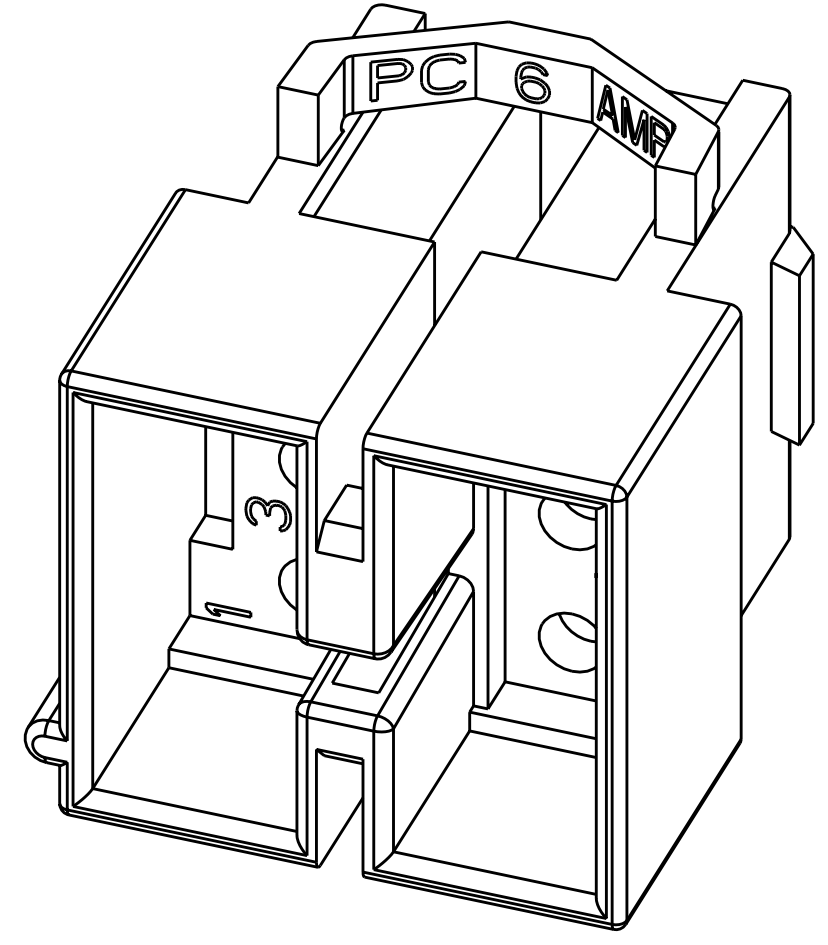
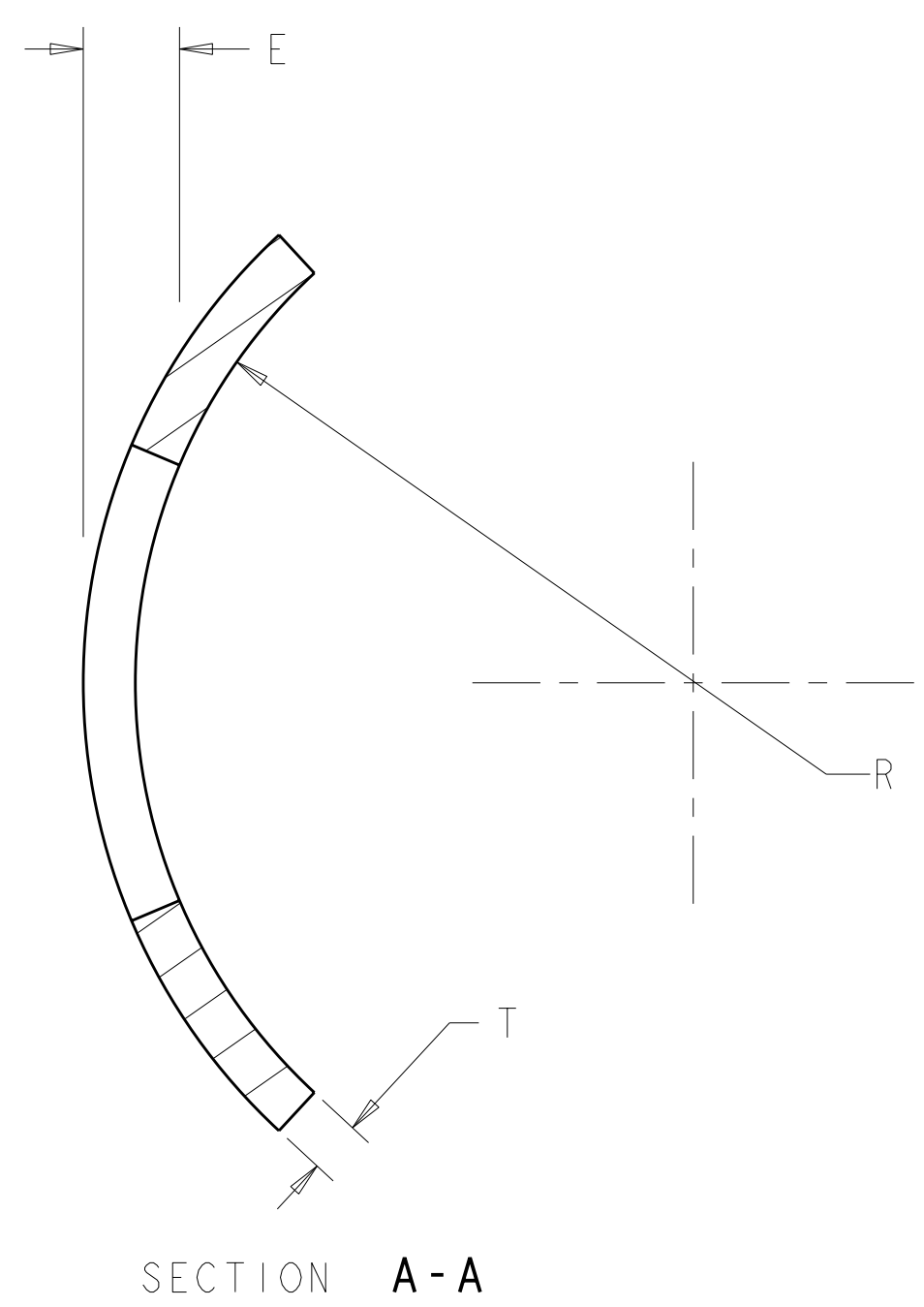
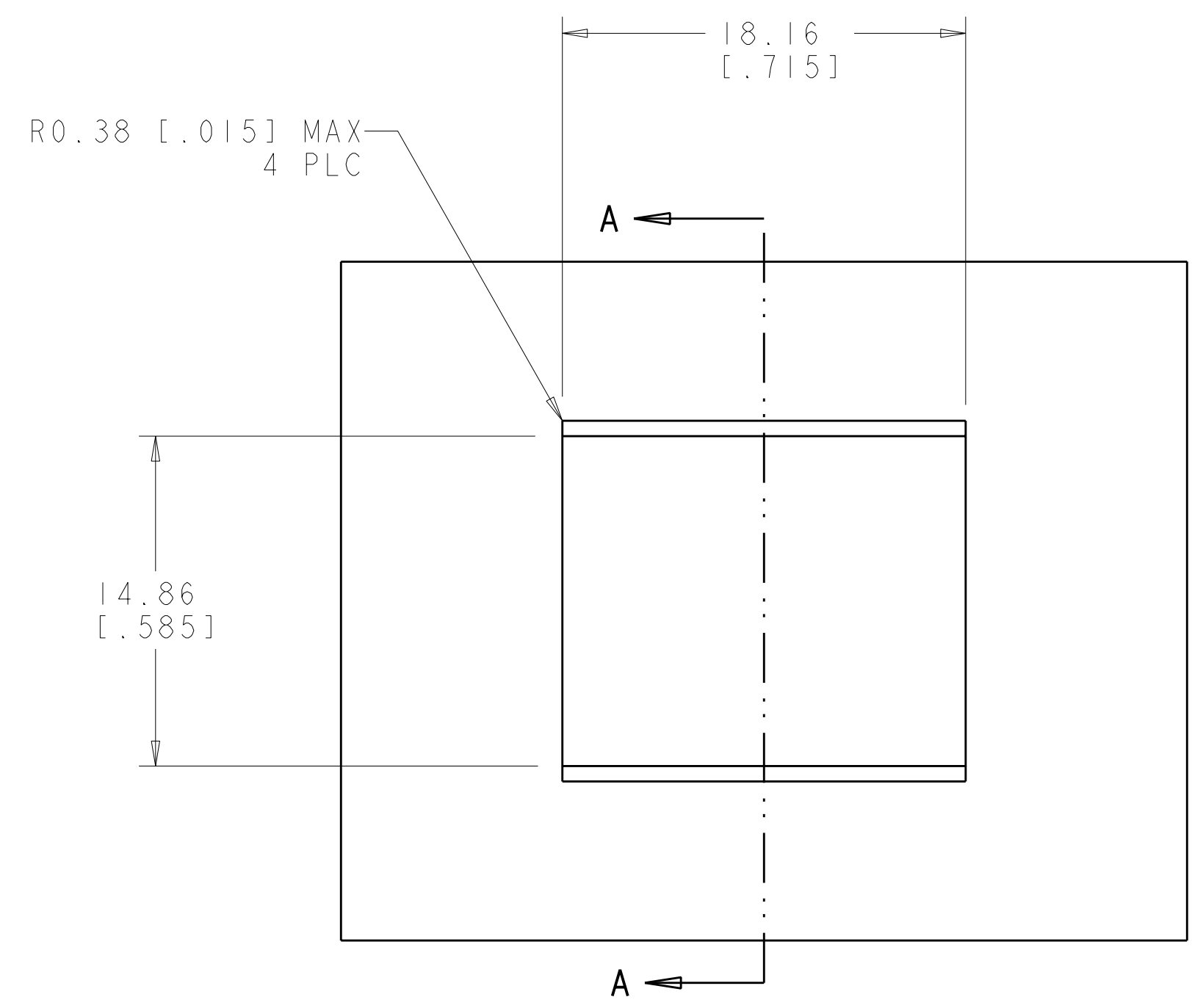
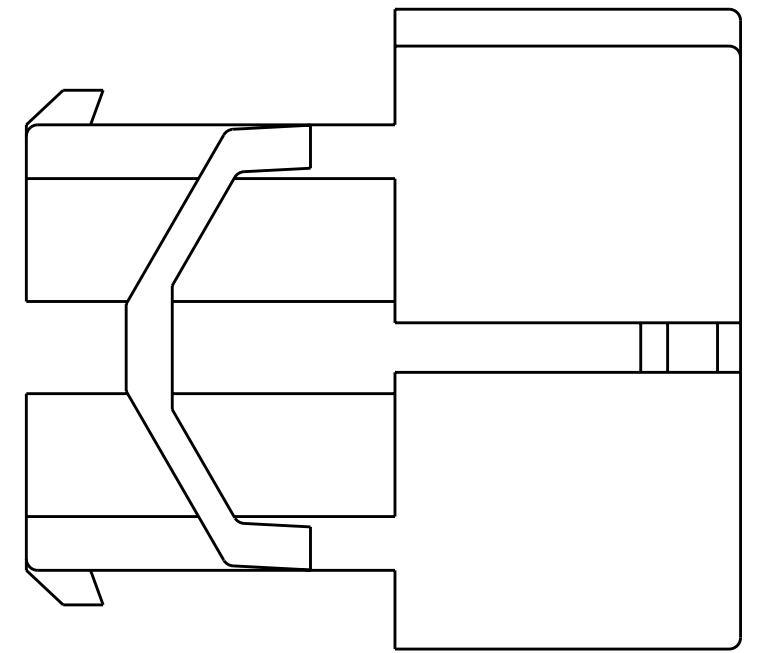
Address: A1208, Overseas Decoration Building, #122 Zhenhua RD., Futian, Shenzhen, China



LOC	DIST	REVISIONS					
CM	00	P	LTN	DESCRIPTION	DATE	DWN	APVD
		AE		ECO-07-026122	05NOV2007	KW	CC
		AF		ECO-07-028172	28NOV2007	KW	CC



1. TO BE USED WITH COMMERCIAL MATE-N-LOK™ PINS.
2. TO BE USED WITH PLUG 480270.
3. RECOMMENDED PANEL THICKNESS "E" IS 1.02-2.54 [.040-.100] AND IS DEPENDENT ON "T" AND "R".
4. HOUSING MUST BE INSERTED IN A ROCKING MANNER.
5. THE PANEL MUST BE PUNCHED SO THAT THE HOUSING ENTERS THE PANEL IN THE SAME DIRECTION AS THE PUNCH.
6. MOTOR MOUNT HOUSINGS MAY BE USED IN FLAT PANELS.



RECOMMENDED CUT OUT 3 4 5

0.192 IN ³	1-480271-0
VOLUME	PART NUMBER

METRIC

<small>THIS DRAWING IS UNPUBLISHED. RELEASED FOR PUBLICATION BY TYCO ELECTRONICS CORPORATION. ALL RIGHTS RESERVED.</small>		DWN: R. WHITAKER 01NOV2007 CHK: C. CASH 01NOV2007 APVD: C. CASH 01NOV2007	Tyco Electronics Harrisburg, PA 17105-3608
DIMENSIONS: mm [INCHES]		PRODUCT SPEC: CAP. APPLICATION SPEC: 6 CIRCUIT, MOTOR MOUNT, COMMERCIAL MATE-N-LOK(TM)	NAME: CAP. SIZE: A 00779 C=480271 CAGE CODE: 480271
TOLERANCES UNLESS OTHERWISE SPECIFIED: 9 PLC ± 8 PLC ±0.13 (1.005) 5 PLC ± 4 PLC ± ANGLES ±40° 30'		WEIGHT: - FINISH: -	RESTRICTED TO: - REV: AF
MATERIAL: NYLON UL 94V-2 NATURAL		CUSTOMER DRAWING SCALE: 4:1 SHEET 1 OF 1	