



Chipsmall Limited consists of a professional team with an average of over 10 year of expertise in the distribution of electronic components. Based in Hongkong, we have already established firm and mutual-benefit business relationships with customers from,Europe,America and south Asia,supplying obsolete and hard-to-find components to meet their specific needs.

With the principle of "Quality Parts,Customers Priority,Honest Operation,and Considerate Service",our business mainly focus on the distribution of electronic components. Line cards we deal with include Microchip,ALPS,ROHM,Xilinx,Pulse,ON,Everlight and Freescale. Main products comprise IC,Modules,Potentiometer,IC Socket,Relay,Connector.Our parts cover such applications as commercial,industrial, and automotives areas.

We are looking forward to setting up business relationship with you and hope to provide you with the best service and solution. Let us make a better world for our industry!



## Contact us

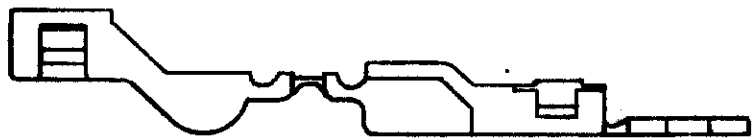
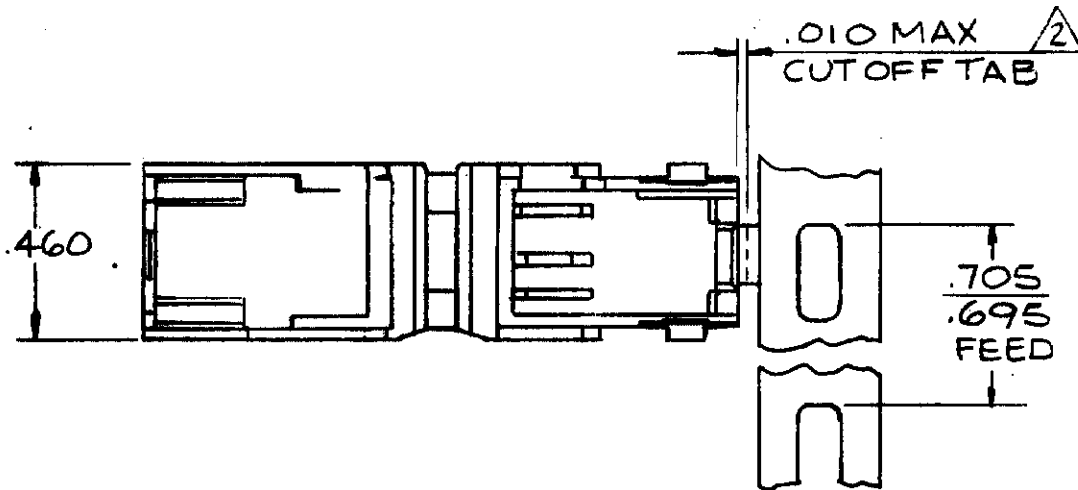
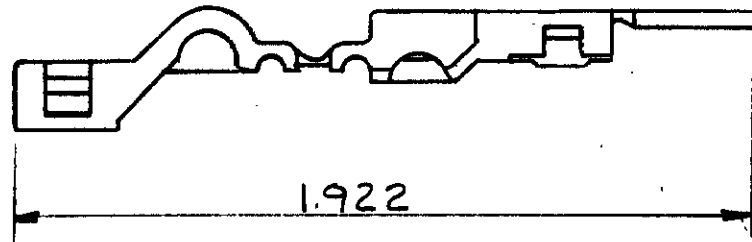
Tel: +86-755-8981 8866 Fax: +86-755-8427 6832

Email & Skype: info@chipsmall.com Web: www.chipsmall.com

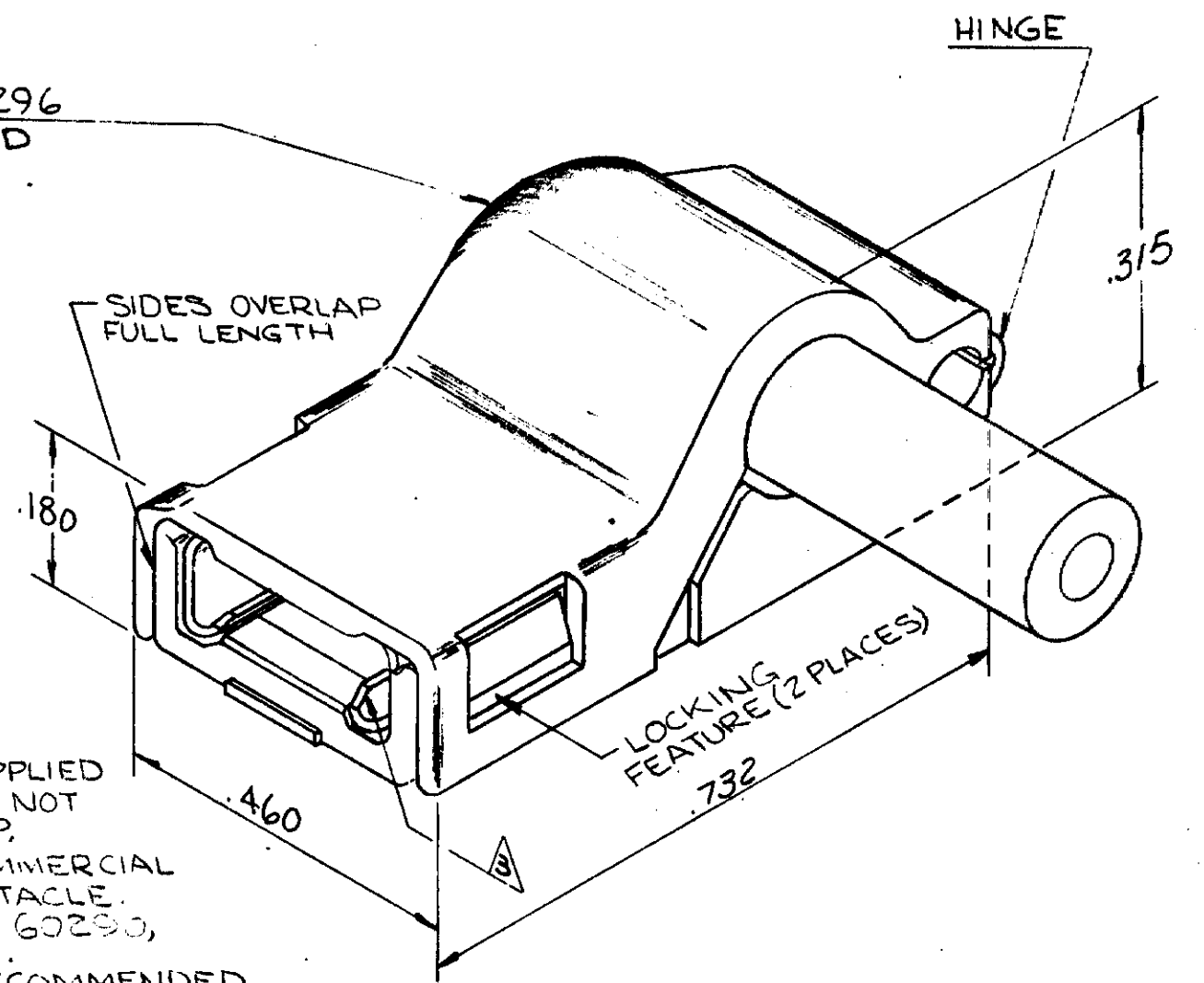
Address: A1208, Overseas Decoration Building, #122 Zhenhua RD., Futian, Shenzhen, China



UNPUBLISHED COPY NOT TO BE REPRODUCED NOR PUBLISHED WITHOUT WRITTEN PERMISSION OF AMP INCORPORATED.



480296  
POD



NOTE:  
 1- CONTINUOUS STRIP, ON REELS.  
 2- THIS PART TO BE SUPPLIED IN INDIVIDUAL FORM, NOT AS CONTINUOUS STRIP.  
 3- "250" SERIES COMMERCIAL FLAG FASTON RECEPTACLE. TERMINAL NUMBERS 60290, 60314, 60455, 60923.  
 4- SEE CP-14251 FOR RECOMMENDED TAB DETAILS FOR TERMINAL 60923, OTHER TERMINALS SEE CP-23587.

INSULATION RANGE	MATERIAL AND FINISH	PART NUMBER STRIP	COMBINATION NUMBER LOOSE PIECE
.140 MAX. OR (2) .110 MAX.	NYLON - NATURAL	1-480296-0	1-480306-1 (1-480296-0 LR)

REVISION RECORD		REVISION RECORD		REVISION RECORD		REVISION RECORD		REVISION RECORD		REVISION RECORD		REVISION RECORD		REVISION RECORD		
LTR	REVISION RECORD	DR	CHK	DATE	DESCRIPTION		DESCRIPTION		DESCRIPTION		DESCRIPTION		DESCRIPTION		DESCRIPTION	
D	REVISED				DESCRIPTION		DESCRIPTION		DESCRIPTION		DESCRIPTION		DESCRIPTION		DESCRIPTION	
C	RELEASED	VK		3/1/77	DESCRIPTION		DESCRIPTION		DESCRIPTION		DESCRIPTION		DESCRIPTION		DESCRIPTION	
B	DELETED "EC" FROM NR. A-840	CM		5/1/66	DESCRIPTION		DESCRIPTION		DESCRIPTION		DESCRIPTION		DESCRIPTION		DESCRIPTION	
A	REDRAWN	A47	CM	9/1/66	DESCRIPTION		DESCRIPTION		DESCRIPTION		DESCRIPTION		DESCRIPTION		DESCRIPTION	
REVISION RECORD				DR	CHK	DATE	DESCRIPTION		DESCRIPTION		DESCRIPTION		DESCRIPTION		DESCRIPTION	

DWG SIZE	NUMBER	NAME	REMARKS	ITEM NO
©1966 BY AMP INCORPORATED. ALL RIGHTS RESERVED. AMP PRODUCTS COVERED BY PATENTS AND/OR PATENTS PENDING.				
DR	3-1-66	C. MEYERS	MATERIAL AND FINISH	
CHK	3-2-66	E. F. Miller	WIRE - RANGE - INSULATION	
DE	3-2-66	R. Kohler	TOLERANCE EXCEPT AS NOTED ± .015 ± 1' 0"	SCALE 2-1
APP	3-2-66	R. C. Mann	LOC A	NO B
NAME			NO	REV
AMPIP-POST INSULATION POD			480296	D

DIMENSIONS IN INCHES. DO NOT SCALE PRINT.