



Chipsmall Limited consists of a professional team with an average of over 10 year of expertise in the distribution of electronic components. Based in Hongkong, we have already established firm and mutual-benefit business relationships with customers from,Europe,America and south Asia,supplying obsolete and hard-to-find components to meet their specific needs.

With the principle of "Quality Parts,Customers Priority,Honest Operation,and Considerate Service",our business mainly focus on the distribution of electronic components. Line cards we deal with include Microchip,ALPS,ROHM,Xilinx,Pulse,ON,Everlight and Freescale. Main products comprise IC,Modules,Potentiometer,IC Socket,Relay,Connector.Our parts cover such applications as commercial,industrial, and automotives areas.

We are looking forward to setting up business relationship with you and hope to provide you with the best service and solution. Let us make a better world for our industry!



Contact us

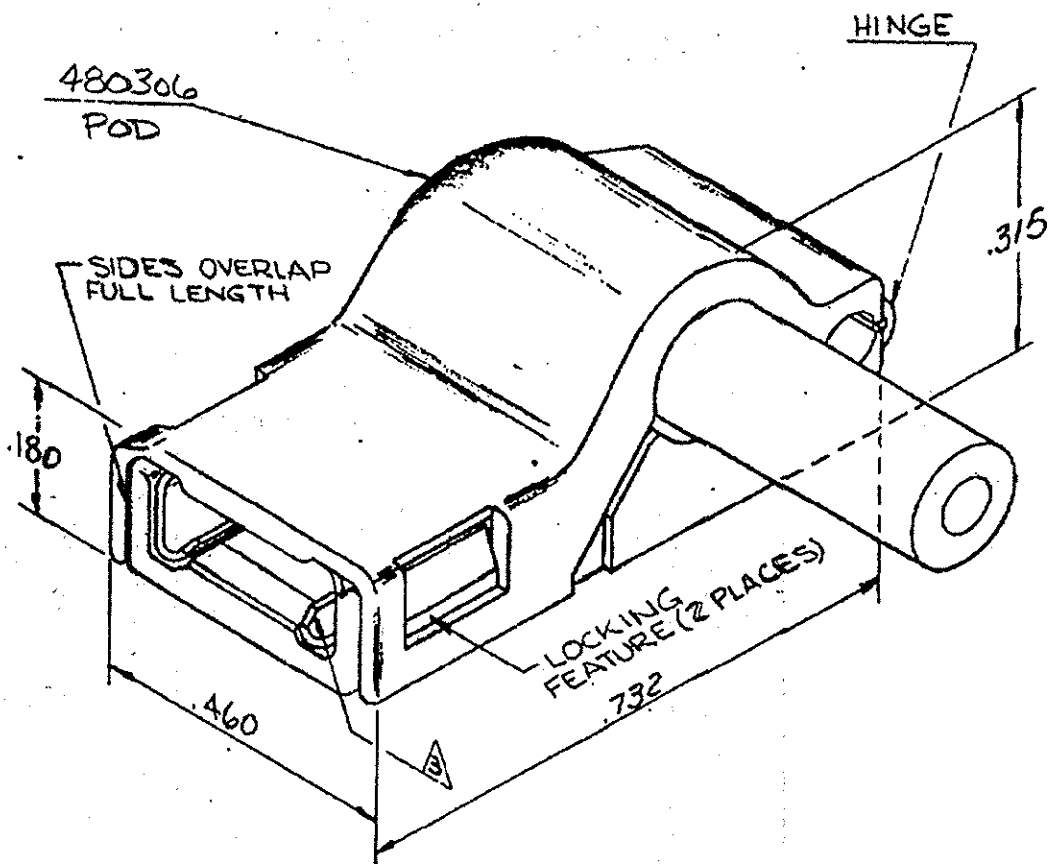
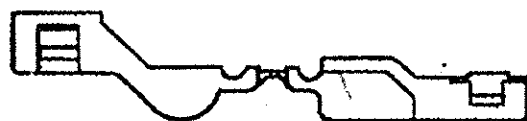
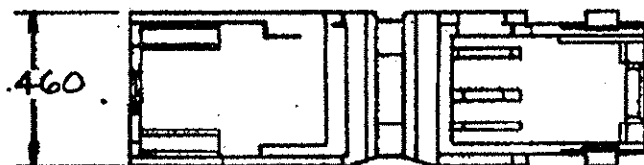
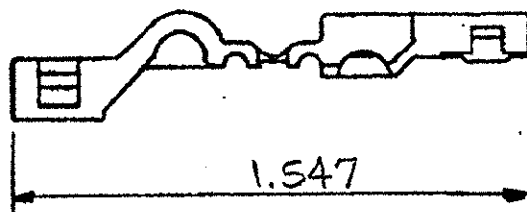
Tel: +86-755-8981 8866 Fax: +86-755-8427 6832

Email & Skype: info@chipsmall.com Web: www.chipsmall.com

Address: A1208, Overseas Decoration Building, #122 Zhenhua RD., Futian, Shenzhen, China



P	LTR	DESCRIPTION	DATE	OWN	APVD
B		REV PER 0G3A-0115-03	10MAR03	JR	PD



1 ACCEPTS .250 SERIES COMMERCIAL FLAG FASTON RECEPTACLE TERMINALS NUMBERS 60290, 60314, 60455, 60923.

2 SEE CP-14251 FOR RECOMMENDED TAB DETAILS FOR TERMINAL 60923, OTHER TERMINALS SEE CP-23587.

3 INSULATION RANGE IS .140 MAX DIA OR TWO AT .110 MAX DIA.

4 PRELIMINARY - NOT FOR PRODUCTION

4	NATURAL	ULTRAMID C3U, V0	1-480306-2
	NATURAL	6/6 NYLON, V2	1-480306-1
	FINISH	MATERIAL	PART NO

THIS DRAWING IS A CONTROLLED DOCUMENT.

DIMENSIONS: INCHES	TOLERANCES UNLESS OTHERWISE SPECIFIED:
	0 PLC ± -
	1 PLC ± -
	2 PLC ± -
	3 PLC ± .015
	4 PLC ± -
	ANGLES ± 1°

MATERIAL	FINISH
SEE TABLE	SEE TABLE

OWN	JR RUTH	10MAR03
CHK	P DESANTIS	10MAR03
APVD	P DESANTIS	10MAR03

tyco Tyco Electronics Corporation
Electronics Harrisburg, PA 17105

NAME	AMP/PIP - POST INSULATION POD		
PRODUCT SPEC	-		
APPLICATION SPEC	-		
WEIGHT	-		

SIZE	CAGE CODE	DRAWING NO	RESTRICTED TO
A3	00779	C-480306	-

CUSTOMER DRAWING	SCALE 4:1	SHEET 1 OF 1	REV B
------------------	-----------	--------------	-------