



Chipsmall Limited consists of a professional team with an average of over 10 year of expertise in the distribution of electronic components. Based in Hongkong, we have already established firm and mutual-benefit business relationships with customers from,Europe,America and south Asia,supplying obsolete and hard-to-find components to meet their specific needs.

With the principle of “Quality Parts,Customers Priority,Honest Operation,and Considerate Service”,our business mainly focus on the distribution of electronic components. Line cards we deal with include Microchip,ALPS,ROHM,Xilinx,Pulse,ON,Everlight and Freescale. Main products comprise IC,Modules,Potentiometer,IC Socket,Relay,Connector.Our parts cover such applications as commercial,industrial, and automotives areas.

We are looking forward to setting up business relationship with you and hope to provide you with the best service and solution. Let us make a better world for our industry!



Contact us

Tel: +86-755-8981 8866 Fax: +86-755-8427 6832

Email & Skype: info@chipsmall.com Web: www.chipsmall.com

Address: A1208, Overseas Decoration Building, #122 Zhenhua RD., Futian, Shenzhen, China



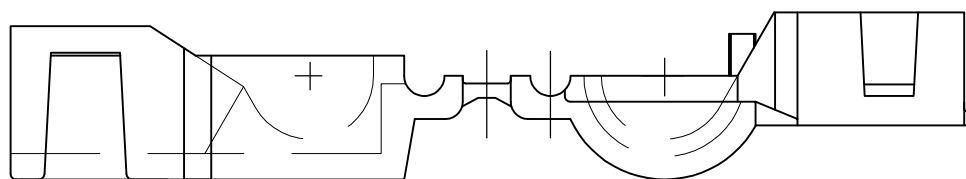
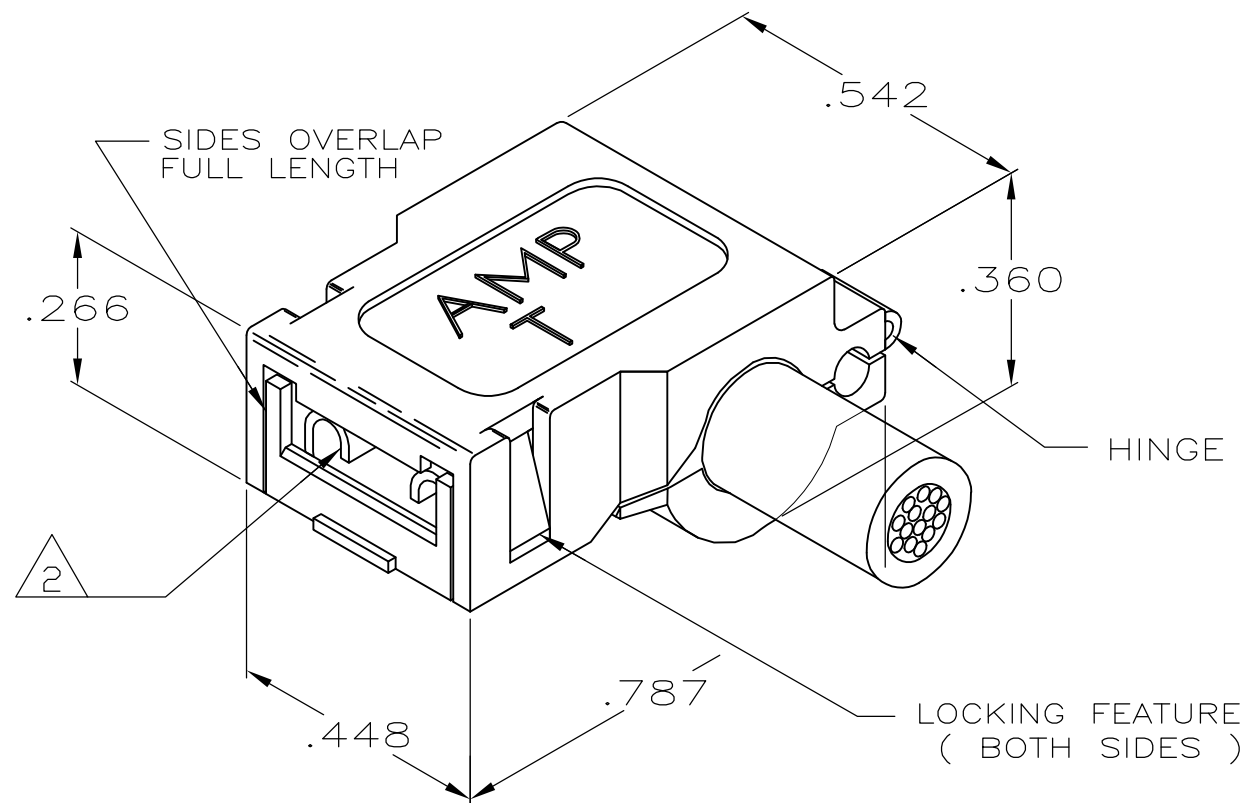
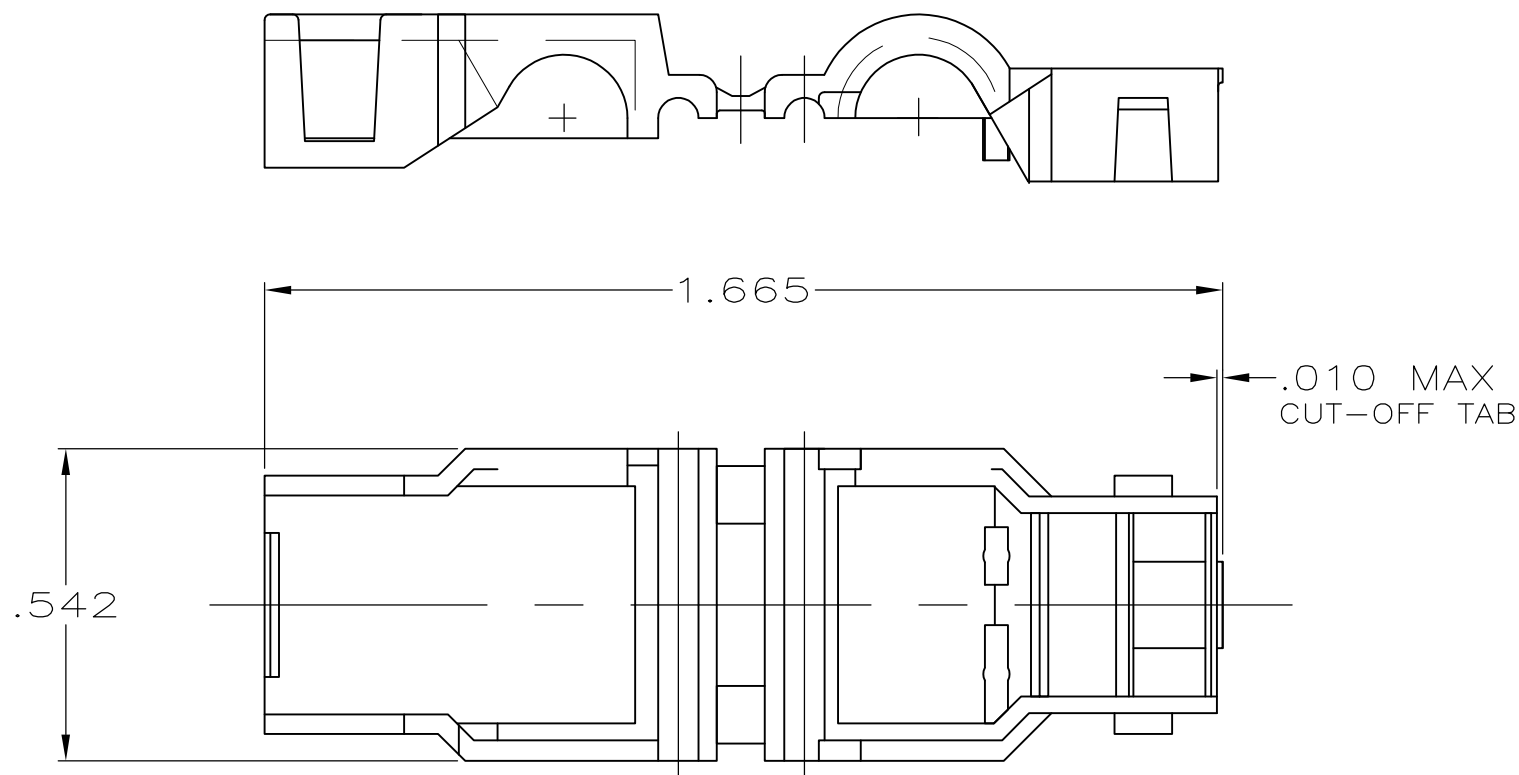
THIS DRAWING IS UNPUBLISHED.

RELEASED FOR PUBLICATION

ALL RIGHTS RESERVED.

© COPYRIGHT - By -

LOC	DIST	REVISIONS					
AF	50	P	LTR	DESCRIPTION	DATE	DWN	APVD
			T7	REVISED PER ECO 12-016336	12SEPT12	JR	PD



- 1 SUPPLIED IN LOOSE PIECE.
- 2 THIS PART ACCEPTS .250 SERIES FASTON FLAG RECEPTACLES PART NUMBERS 41531, 41532, 42511, 60641 AND 60645.
- 3 SEE CP-23587 FOR RECOMMENDED TAB DETAILS.
- 4 MAX INSULATION IS .210.



GLOW WIRE APPROVED, CONTACT TYCO ELECTRONICS FOR ENGN SPECIFICATIONS, ALL WALL THICKNESSES ARE BETWEEN 0.4mm AND 3.0mm.

150° C	4/6 NYLON - BLACK	1-480307-9
-	5	1-480307-8
120° C	V0, 6/66 NYLON - NATURAL	1-480307-7
150° C	4/6 NYLON - NATURAL	1-480307-6
125° C	6/6 NYLON - NATURAL	1-480307-1
UL TEMP RATING	MATERIAL/COLOR	PART NO.

THIS DRAWING IS A CONTROLLED DOCUMENT.		DWN	JR RUTH	1/24/97	STE TE Connectivity		
		CHK	MS FEHER	1/24/97			
		APVD	R BEAVER	1/24/97	NAME		
DIMENSIONS: INCHES		PRODUCT SPEC			INSULATION POD, AMPIP-POST		
TOLERANCES UNLESS OTHERWISE SPECIFIED:		APPLICATION SPEC			RESTRICTED TO		
MATERIAL		WEIGHT			SIZE	CAGE CODE	DRAWING NO
SEE TABLE		-			A3	00779	C-480307
FINISH		CUSTOMER DRAWING			SCALE	SHEET	REV
SEE TABLE					4:1	1 OF 1	T7