



Chipsmall Limited consists of a professional team with an average of over 10 year of expertise in the distribution of electronic components. Based in Hongkong, we have already established firm and mutual-benefit business relationships with customers from,Europe,America and south Asia,supplying obsolete and hard-to-find components to meet their specific needs.

With the principle of “Quality Parts,Customers Priority,Honest Operation,and Considerate Service”,our business mainly focus on the distribution of electronic components. Line cards we deal with include Microchip,ALPS,ROHM,Xilinx,Pulse,ON,Everlight and Freescale. Main products comprise IC,Modules,Potentiometer,IC Socket,Relay,Connector.Our parts cover such applications as commercial,industrial, and automotives areas.

We are looking forward to setting up business relationship with you and hope to provide you with the best service and solution. Let us make a better world for our industry!



Contact us

Tel: +86-755-8981 8866 Fax: +86-755-8427 6832

Email & Skype: info@chipsmall.com Web: www.chipsmall.com

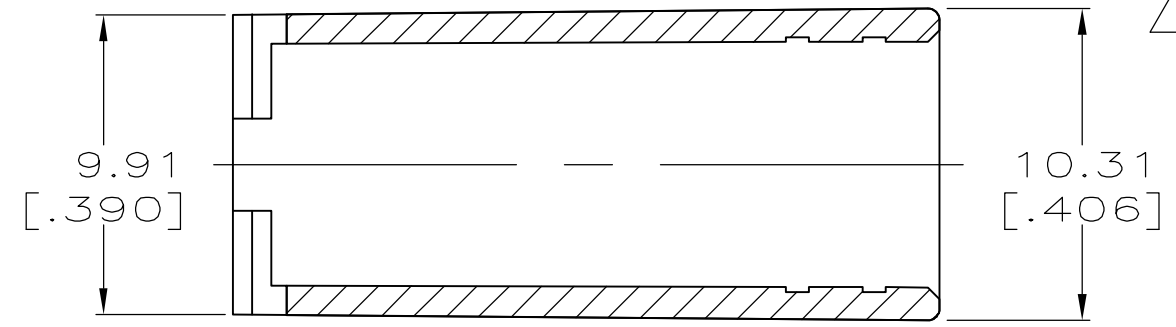
Address: A1208, Overseas Decoration Building, #122 Zhenhua RD., Futian, Shenzhen, China



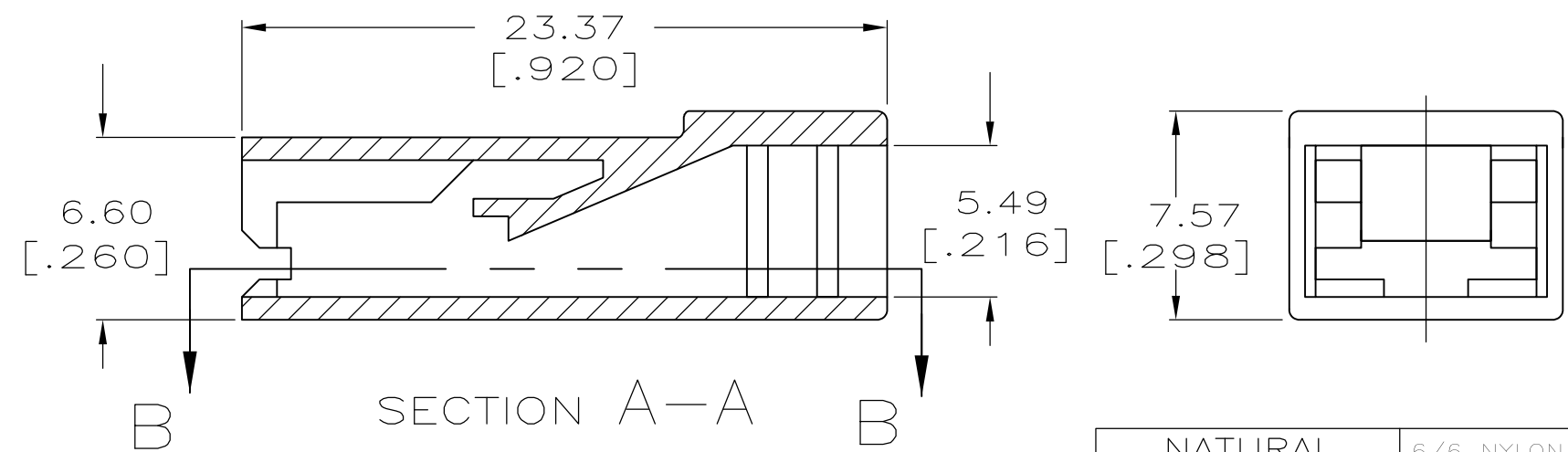
THIS DRAWING IS UNPUBLISHED. RELEASED FOR PUBLICATION
 © COPYRIGHT BY TYCO ELECTRONICS CORPORATION. ALL RIGHTS RESERVED.

LOC	DIST	REVISIONS			
P	LTR	DESCRIPTION	DATE	DWN	APVD
AF	50	AB	REV PER 0G3A-0222-04	29MAR2004	RF PD

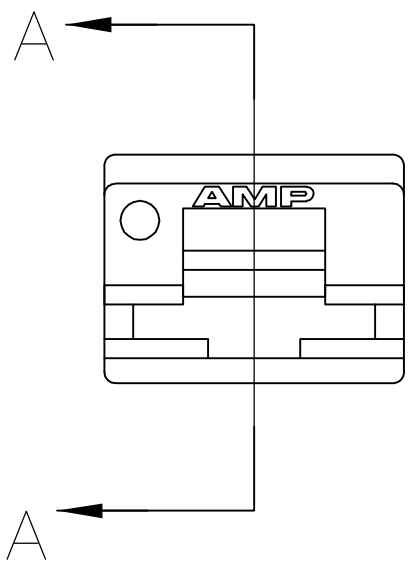
1 SPECIAL PACKAGING QUANTITIES.
 2 PRELIMINARY - NOT FOR PRODUCTION



SECTION B-B



SECTION A-A



NATURAL	6/6 NYLON	2	1	2-480416-1
NATURAL	UL94 5VA RATED	2		2-480416-0
NATURAL	4/6 NYLON UL 150			1-480416-8
NATURAL	6/6 NYLON, VO			1-480416-7
OBSOLETE	NATURAL			1-480416-6
OBSOLETE	RED			1-480416-4
OBSOLETE	BLUE			1-480416-3
	BLACK			1-480416-1
	NATURAL			1-480416-0
	FINISH			MATERIAL
				PART NO

THIS DRAWING IS A CONTROLLED DOCUMENT.		DWN	JR RUTH	2/4/91	Tyco Electronics Corporation Harrisburg, PA 17105	
DIMENSIONS: INCHES		CHK	P FORTNEY	2/4/91		
TOLERANCES UNLESS OTHERWISE SPECIFIED:		APVD	C MEYERS	2/4/91	NAME	
0 PLC ± - 1 PLC ± - 2 PLC ± 0.38 [.015] 3 PLC ± - 4 PLC ± - ANGLES ± -		PRODUCT SPEC		HOUSING, RECEPTACLE, FASTON, 6.35 [.250] SERIES		
MATERIAL SEE TABLE		FINISH SEE TABLE		APPLICATION SPEC		RESTRICTED TO
		WEIGHT -		SIZE	CAGE CODE	DRAWING NO
		CUSTOMER DRAWING		A3	00779	C-480416
		SCALE		4:1	SHEET	1 OF 1
				REV		AB