



Chipsmall Limited consists of a professional team with an average of over 10 year of expertise in the distribution of electronic components. Based in Hongkong, we have already established firm and mutual-benefit business relationships with customers from,Europe,America and south Asia,supplying obsolete and hard-to-find components to meet their specific needs.

With the principle of “Quality Parts,Customers Priority,Honest Operation,and Considerate Service”,our business mainly focus on the distribution of electronic components. Line cards we deal with include Microchip,ALPS,ROHM,Xilinx,Pulse,ON,Everlight and Freescale. Main products comprise IC,Modules,Potentiometer,IC Socket,Relay,Connector.Our parts cover such applications as commercial,industrial, and automotives areas.

We are looking forward to setting up business relationship with you and hope to provide you with the best service and solution. Let us make a better world for our industry!



Contact us

Tel: +86-755-8981 8866 Fax: +86-755-8427 6832

Email & Skype: info@chipsmall.com Web: www.chipsmall.com

Address: A1208, Overseas Decoration Building, #122 Zhenhua RD., Futian, Shenzhen, China



THIS DRAWING IS UNPUBLISHED.

RELEASED FOR PUBLICATION

ALL RIGHTS RESERVED.

© COPYRIGHT - By -

LOC
AF

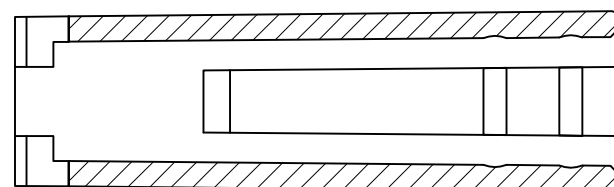
DIST
50

REVISIONS

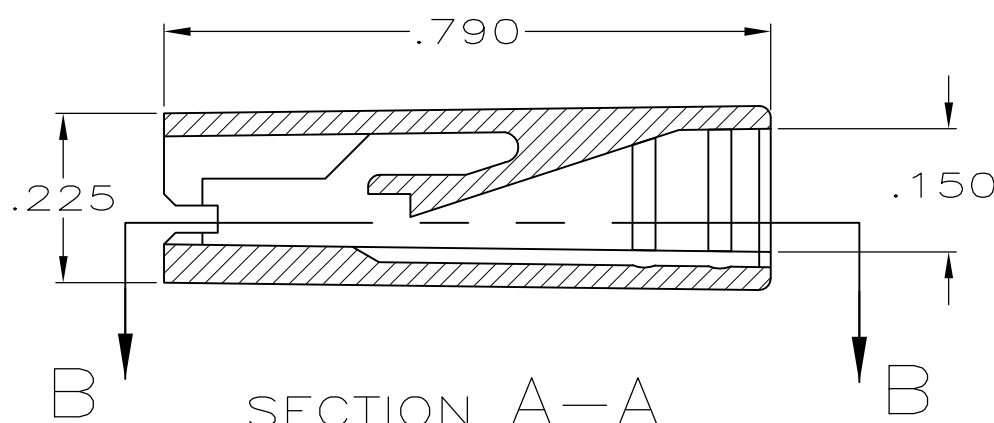
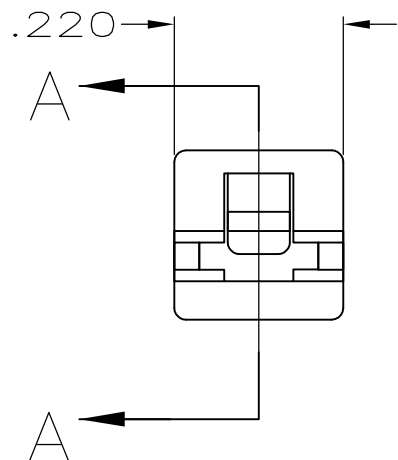
P	LTR	DESCRIPTION	DATE	DWN	APVD
	L2	REVISED PER ECO-11-004820	11MAR11	RK	HMR

1 POLYIMIDE UL94, V2, ACCORDING TO IEC 60335-1 GLOW IWRE.

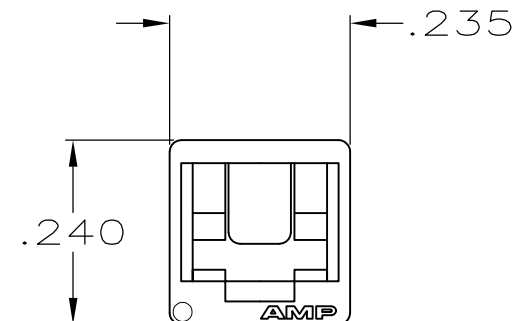
2 PRELIMINARY - NOT FOR PRODUCTION




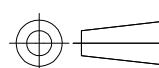
SECTION B-B



SECTION A-A



NATURAL	1 NYLON, V2	2 1-480417-3
NATURAL	NYLON, V0	2 1-480417-2
BLACK	NYLON, V2	1-480417-1
NATURAL	NYLON, V2	1-480417-0
COLOR	MATERIAL	PART NO.

THIS DRAWING IS A CONTROLLED DOCUMENT.		DWN JR RUTH 2/8/91	 TE Connectivity HOUSING, RECEPTACLE, FASTON, .110 SERIES				
DIMENSIONS: INCHES		CHK MS FEHER 2/8/91				NAME	
		APVD D REINER 2/8/91				RESTRICTED TO	
TOLERANCES UNLESS OTHERWISE SPECIFIED:		PRODUCT SPEC				-	
MATERIAL SEE TABLE		FINISH SEE TABLE	APPLICATION SPEC	-			
		WEIGHT -	SIZE A3	CAGE CODE 00779	DRAWING NO C-480417		
CUSTOMER DRAWING			SCALE 4:1	SHEET 1 OF 1	REV L2		