



Chipsmall Limited consists of a professional team with an average of over 10 year of expertise in the distribution of electronic components. Based in Hongkong, we have already established firm and mutual-benefit business relationships with customers from,Europe,America and south Asia,supplying obsolete and hard-to-find components to meet their specific needs.

With the principle of "Quality Parts,Customers Priority,Honest Operation,and Considerate Service",our business mainly focus on the distribution of electronic components. Line cards we deal with include Microchip,ALPS,ROHM,Xilinx,Pulse,ON,Everlight and Freescale. Main products comprise IC,Modules,Potentiometer,IC Socket,Relay,Connector.Our parts cover such applications as commercial,industrial, and automotives areas.

We are looking forward to setting up business relationship with you and hope to provide you with the best service and solution. Let us make a better world for our industry!



Contact us

Tel: +86-755-8981 8866 Fax: +86-755-8427 6832

Email & Skype: info@chipsmall.com Web: www.chipsmall.com

Address: A1208, Overseas Decoration Building, #122 Zhenhua RD., Futian, Shenzhen, China



THIS DRAWING IS UNPUBLISHED.

RELEASED FOR PUBLICATION

ALL RIGHTS RESERVED.

© COPYRIGHT - By -

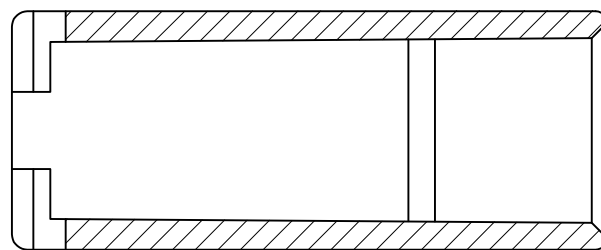
LOC
AF

DIST
50

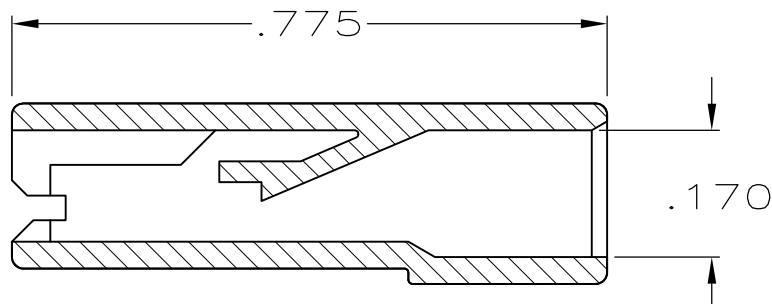
REVISIONS

P	LTR	DESCRIPTION	DATE	DWN	APVD
	V8	REVISED PER ECO-13-005280	25MAR13	JR	PD

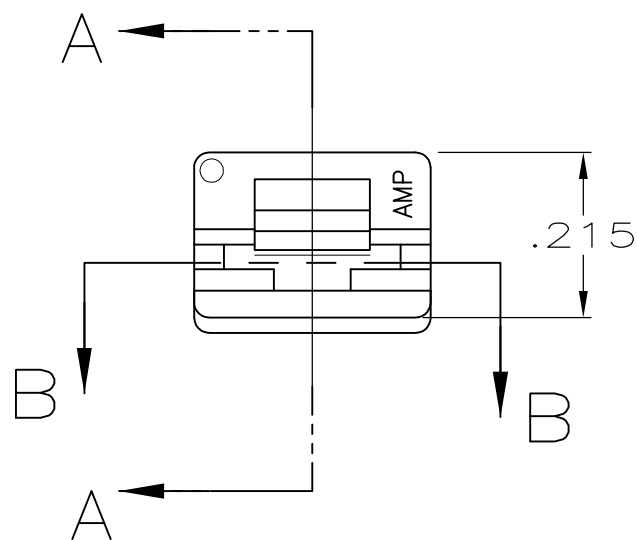
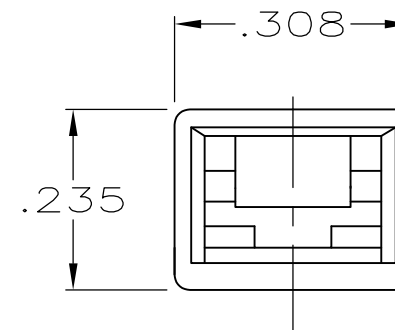
- △1 FOR FOREIGN PRODUCTION ONLY.
- △2 PRELIMINARY - NOT FOR PRODUCTION
- △3 POLYAMIDE ACCORDING TO IEC 60335-1, GLOW WIRE.
- △4 OBSOLETE PARTS: OBSOLETE CIS STREAMLINING PER D.RENAUD/D.SINISI
- 5 ACCEPTS 187 SERIES FASTONS BUDGET AND PREMIER STYLE RECEPTACLES




SECTION B-B
ROTATED 90° CW



SECTION A-A



	NATURAL	PA6 NYLON, V0	2-480435-2
	NATURAL	△3 66 NYLON, UL94, V0	△2 2-480435-1
	NATURAL	UL94 5VA RATED	△2 2-480435-0
	NATURAL	△3 UL94, V2	1-480435-5
△4 OBSOLETE	△1 NATURAL	6/6 NYLON	1-480435-4
	△1 DYED BLACK		1-480435-3
△4 OBSOLETE	△1 DYED RED		1-480435-2
	△1 NATURAL		1-480435-0
	FINISH	MATERIAL	PART NO

THIS DRAWING IS A CONTROLLED DOCUMENT.		DWN JR RUTH 2/4/91	 TE Connectivity					
DIMENSIONS: INCHES		CHK P FORTNEY 2/4/91				NAME HOUSING, RECEPTACLE, FASTON, .187 SERIES		
TOLERANCES UNLESS OTHERWISE SPECIFIED:		APVD R KUZO 2/4/91						
0 PLC ± - 1 PLC ± - 2 PLC ± - 3 PLC ± .015 4 PLC ± - ANGLES ± -		PRODUCT SPEC -				SIZE A3	CAGE CODE 00779	DRAWING NO C-480435
MATERIAL SEE TABLE		FINISH SEE TABLE	WEIGHT -		SCALE 4:1	SHEET 1 OF 1	REV V8	
CUSTOMER DRAWING								