



Chipsmall Limited consists of a professional team with an average of over 10 year of expertise in the distribution of electronic components. Based in Hongkong, we have already established firm and mutual-benefit business relationships with customers from,Europe,America and south Asia,supplying obsolete and hard-to-find components to meet their specific needs.

With the principle of “Quality Parts,Customers Priority,Honest Operation,and Considerate Service”,our business mainly focus on the distribution of electronic components. Line cards we deal with include Microchip,ALPS,ROHM,Xilinx,Pulse,ON,Everlight and Freescale. Main products comprise IC,Modules,Potentiometer,IC Socket,Relay,Connector.Our parts cover such applications as commercial,industrial, and automotives areas.

We are looking forward to setting up business relationship with you and hope to provide you with the best service and solution. Let us make a better world for our industry!



Contact us

Tel: +86-755-8981 8866 Fax: +86-755-8427 6832

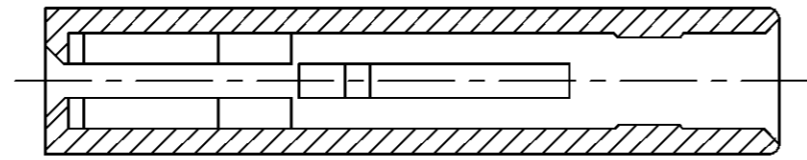
Email & Skype: info@chipsmall.com Web: www.chipsmall.com

Address: A1208, Overseas Decoration Building, #122 Zhenhua RD., Futian, Shenzhen, China

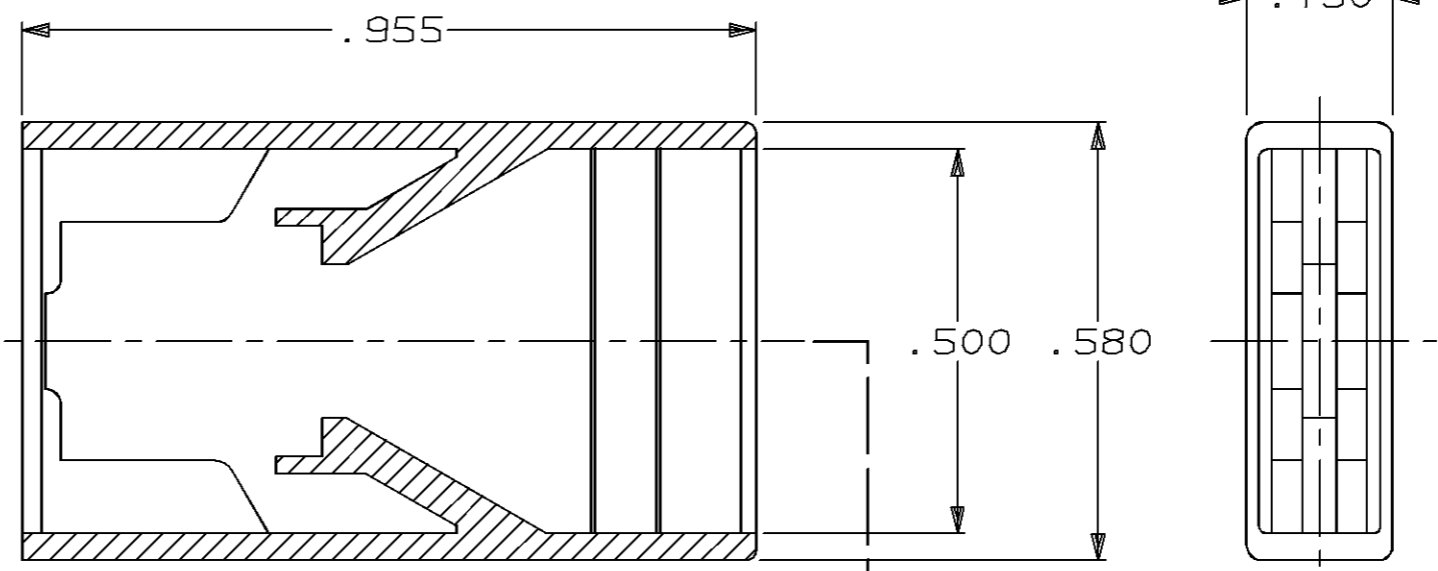
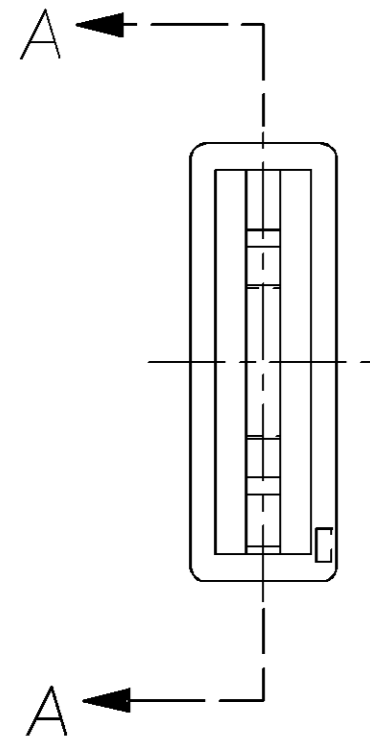


THIS DRAWING IS UNPUBLISHED. RELEASED FOR PUBLICATION, 19 .
 © COPYRIGHT 19 BY AMP INCORPORATED. ALL INTERNATIONAL RIGHTS RESERVED.

LOC	DIST	P	F	ZONE	LTR	REVISIONS		
AF	50				F	DESCRIPTION	DATE	APPD
						REV PER 0710-0081-95	3/2/95	JR/RB



SECTION B-B



SECTION A-A

1-480458-0
PART NO

DO NOT SCALE PRINT. UNLESS SPECIFIED DIMENSIONS ARE IN INCHES TOLERANCES ON: 2 PLC DEC ± - 3 PLC DEC ± .015 ANGLES ± -	DR 2/4/91 JR RUTH	AMP AMP Incorporated Harrisburg, PA 17105-3608 NAME HOUSING, RECEPTACLE, FASTON™ .250 SERIES
	CHK 2/4/91 P FORTNEY	
	APPD 2/4/91 C MEYERS	
	APPD 2/4/91 D REINER	
MATERIAL 6/6 NYLON	PRODUCT SPEC -	SIZE B
FINISH NATURAL	APPLICATION SPEC -	CAGE CODE 00779
	WEIGHT -	DRAWING NO 480458
		SCALE 4:1
		SHEET 1 OF 1