



Chipsmall Limited consists of a professional team with an average of over 10 year of expertise in the distribution of electronic components. Based in Hongkong, we have already established firm and mutual-benefit business relationships with customers from,Europe,America and south Asia,supplying obsolete and hard-to-find components to meet their specific needs.

With the principle of "Quality Parts,Customers Priority,Honest Operation,and Considerate Service",our business mainly focus on the distribution of electronic components. Line cards we deal with include Microchip,ALPS,ROHM,Xilinx,Pulse,ON,Everlight and Freescale. Main products comprise IC,Modules,Potentiometer,IC Socket,Relay,Connector.Our parts cover such applications as commercial,industrial, and automotives areas.

We are looking forward to setting up business relationship with you and hope to provide you with the best service and solution. Let us make a better world for our industry!



Contact us

Tel: +86-755-8981 8866 Fax: +86-755-8427 6832

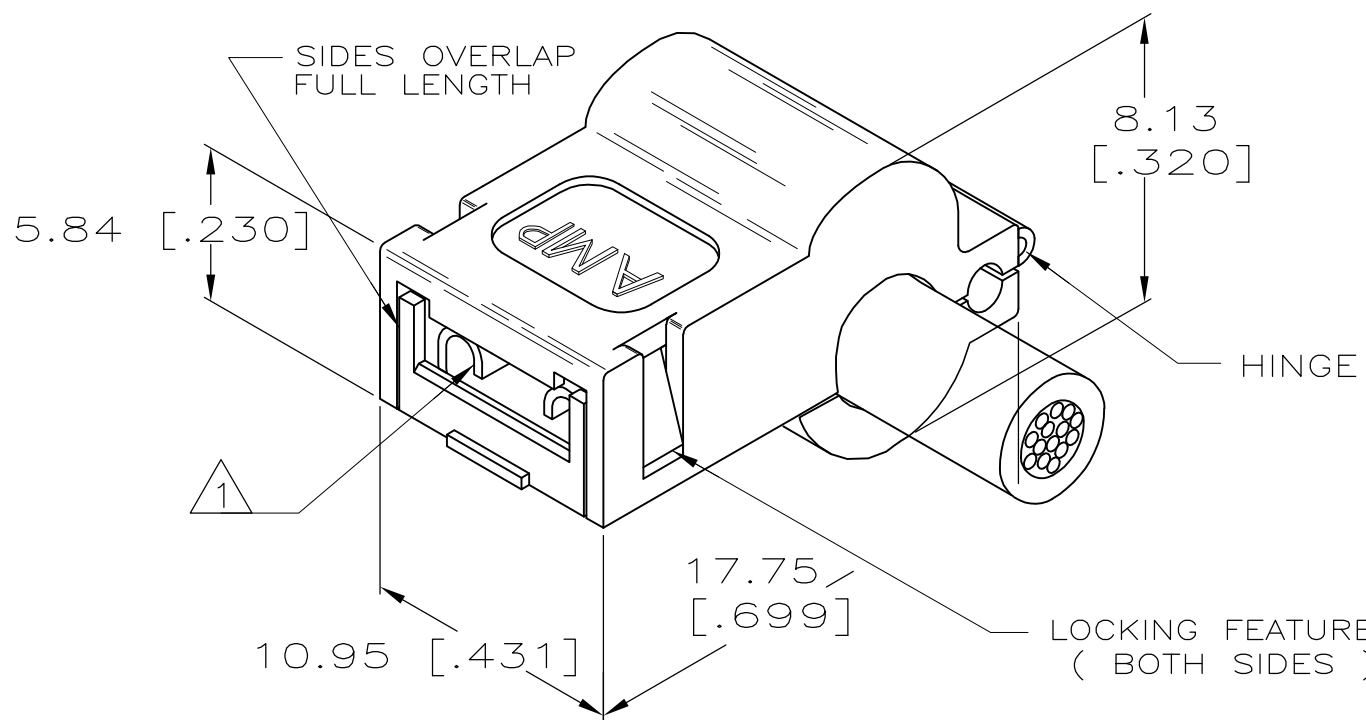
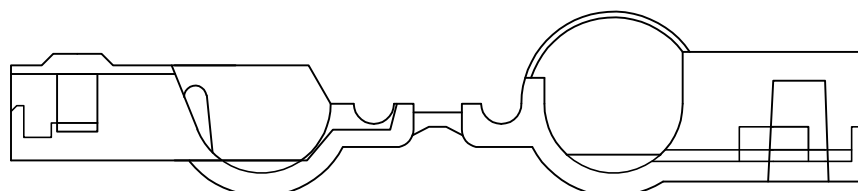
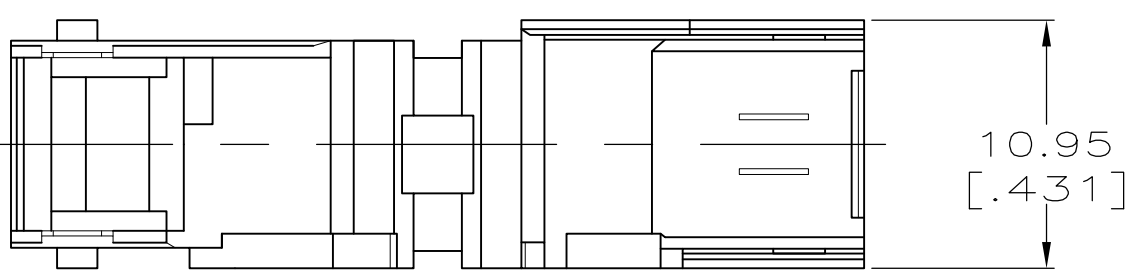
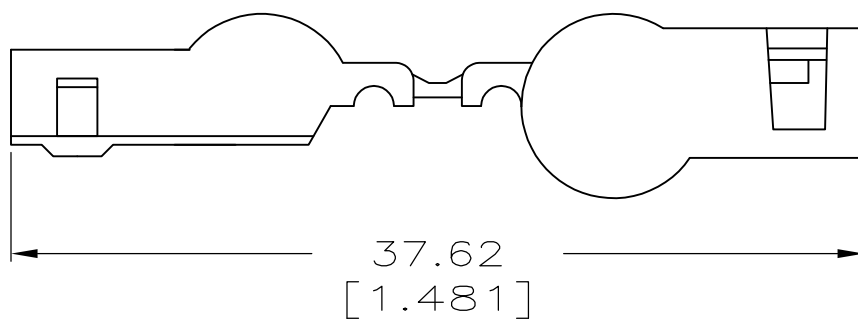
Email & Skype: info@chipsmall.com Web: www.chipsmall.com

Address: A1208, Overseas Decoration Building, #122 Zhenhua RD., Futian, Shenzhen, China



THIS DRAWING IS UNPUBLISHED. RELEASED FOR PUBLICATION
 © COPYRIGHT - BY TYCO ELECTRONICS CORPORATION. ALL RIGHTS RESERVED.

LOC	DIST	REVISIONS					
AF	50	P	LTR	DESCRIPTION	DATE	DWN	APVD
			G3	REV PER ECR 07-015235	27JUL07	JR	PD



NOTES:

- 1 4.75 [.187] SERIES TAB-LOK FLAG FASTON RECEPTACLE. TERMINAL NUMBERS 42486, 42618, 42800, AND 60820.
- 2 SEE CP-29349 FOR RECOMMENDED TAB DETAILS.
- 3 CONTINUOUS STRIP ON REELS.
- 4 LOOSE PIECE (ONE POD).
- 5 GLOW WIRE APPROVED, CONTACT TYCO ELECTRONICS FOR ENGN SPECIFICATIONS, ALL WALL THICKNESSES ARE BETWEEN 0.4mm AND 3.0mm.
- 6 PRELIMINARY - NOT FOR PRODUCTION

TYPE	MATERIAL	PART NO.
4 LOOSE PIECE	5	1-480487-4
4 LOOSE PIECE	6/6 NYLON, VO	1-480487-3 6
4 LOOSE PIECE	6/6 NYLON	1-480487-2
3 STRIP	6/6 NYLON	1-480487-0

OBSOLETE

THIS DRAWING IS A CONTROLLED DOCUMENT.		DWN JR RUTH 6/27/97	Tyco Electronics Corporation Harrisburg, PA 17105-3608	
DIMENSIONS: mm [INCHES] 		CHK MS FEHER 6/27/97		
TOLERANCES UNLESS OTHERWISE SPECIFIED: 0 PLC ± - 1 PLC ± - 2 PLC ± 0.38 [.015] 3 PLC ± - 4 PLC ± - ANGLES ± -		APVD R BEAVER 6/27/97	NAME HOUSING, AMPIP, FASTON, TAB-LOK, 4.75 [.187] SERIES	
MATERIAL SEE TABLE		FINISH NATURAL	PRODUCT SPEC -	APPLICATION SPEC -
		WEIGHT -	SIZE A3	CAGE CODE 00779
			DRAWING NO C-480487	RESTRICTED TO -
			CUSTOMER DRAWING	SCALE 3:1 SHEET 1 OF 1 REV G3