



Chipsmall Limited consists of a professional team with an average of over 10 year of expertise in the distribution of electronic components. Based in Hongkong, we have already established firm and mutual-benefit business relationships with customers from,Europe,America and south Asia,supplying obsolete and hard-to-find components to meet their specific needs.

With the principle of “Quality Parts,Customers Priority,Honest Operation,and Considerate Service”,our business mainly focus on the distribution of electronic components. Line cards we deal with include Microchip,ALPS,ROHM,Xilinx,Pulse,ON,Everlight and Freescale. Main products comprise IC,Modules,Potentiometer,IC Socket,Relay,Connector.Our parts cover such applications as commercial,industrial, and automotives areas.

We are looking forward to setting up business relationship with you and hope to provide you with the best service and solution. Let us make a better world for our industry!



## Contact us

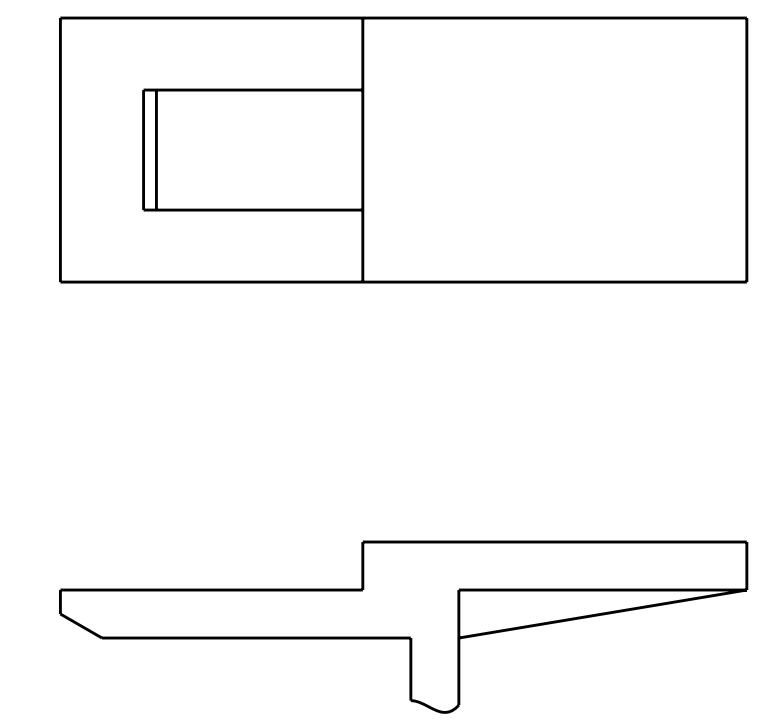
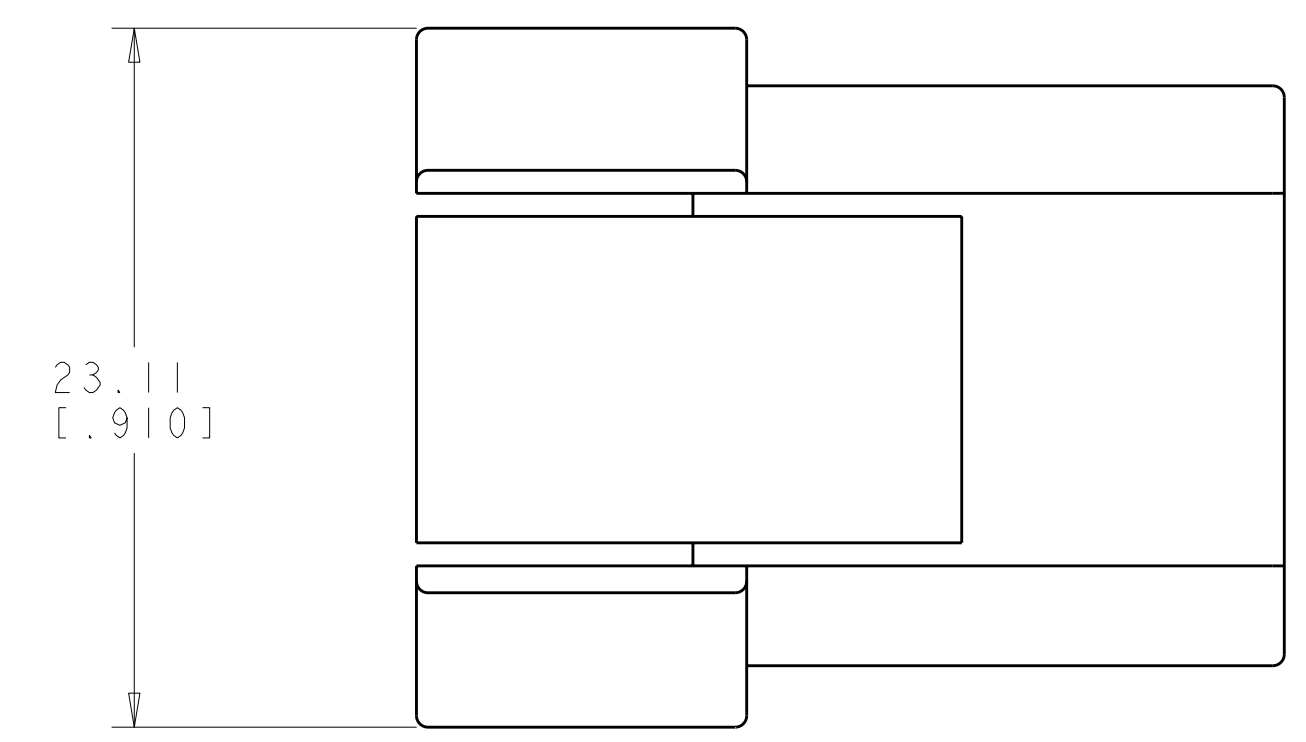
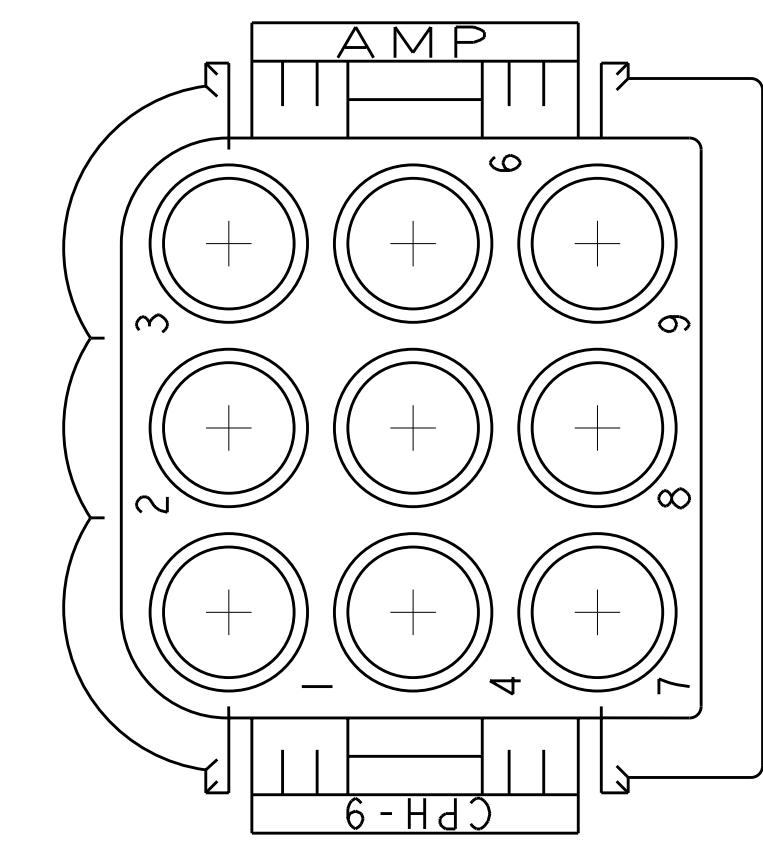
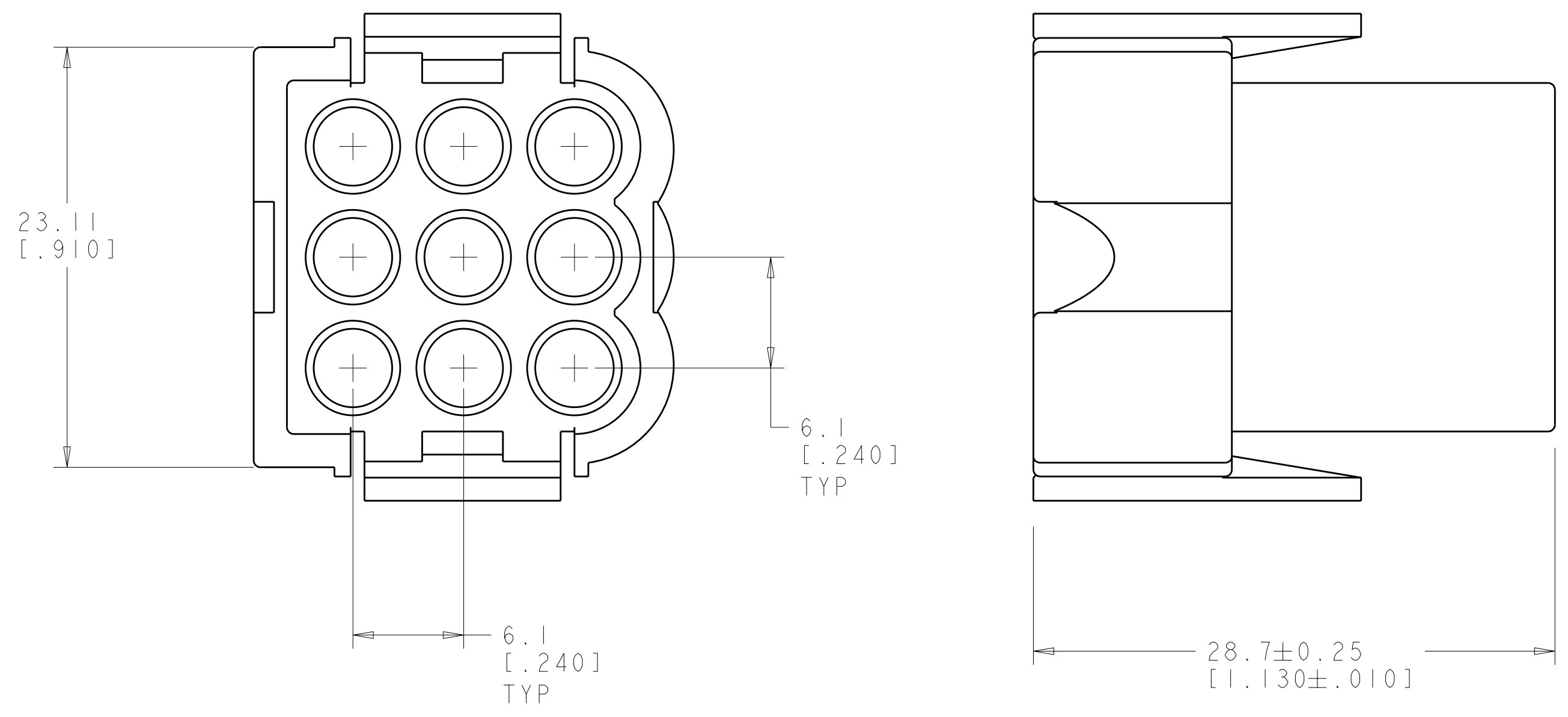
Tel: +86-755-8981 8866 Fax: +86-755-8427 6832

Email & Skype: info@chipsmall.com Web: www.chipsmall.com

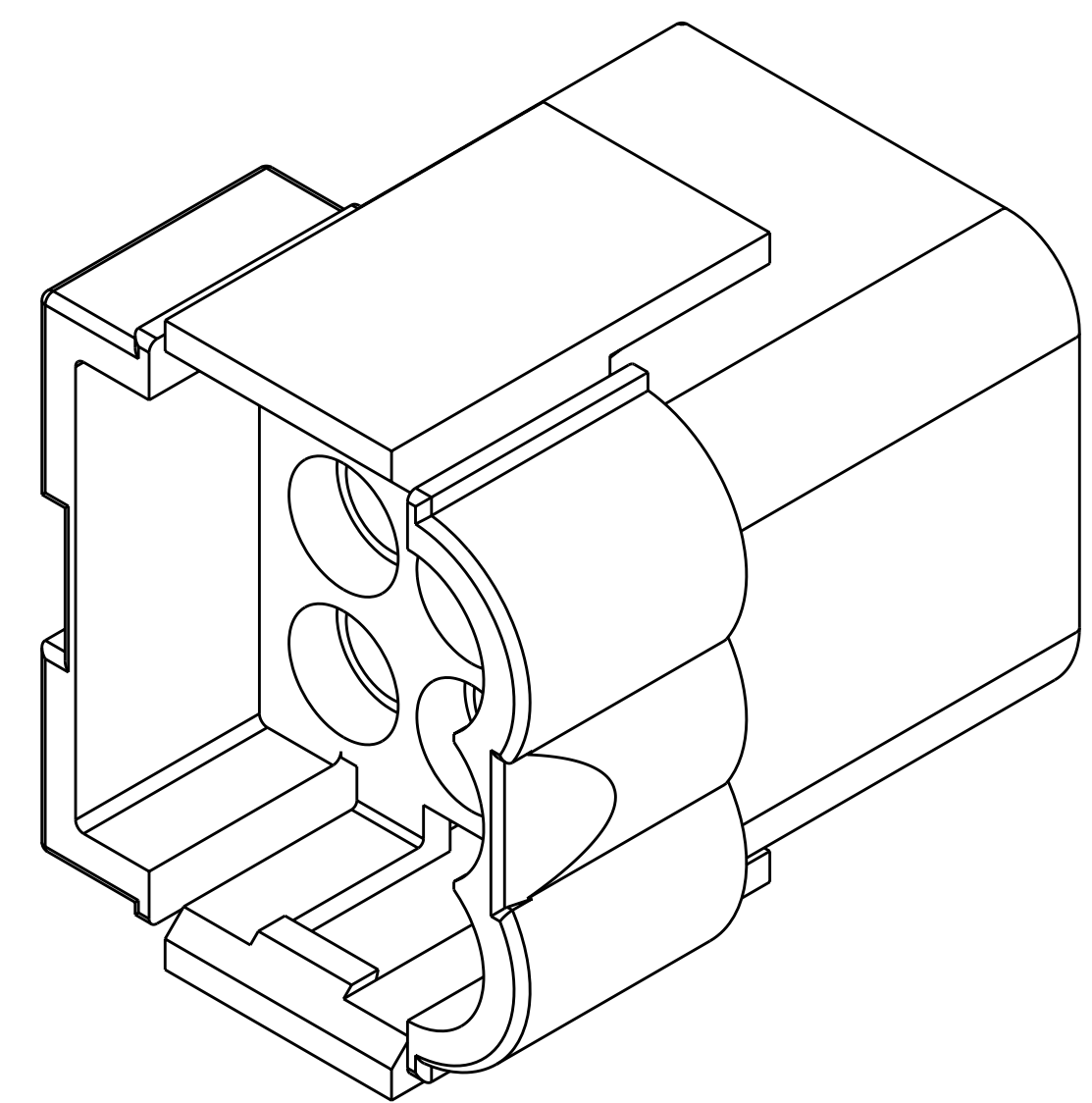
Address: A1208, Overseas Decoration Building, #122 Zhenhua RD., Futian, Shenzhen, China



LOC		DIST		REVISIONS			
CM	00	P	LTB	DESCRIPTION	DATE	DWN	APVD
		N3		REVISED PER ECO-11-005027	18MAR2011	RK	HMR



OPTIONAL CONSTRUCTION



**METRIC**

THIS DRAWING IS A CONTROLLED DOCUMENT.		DWN R. WHITAKER 15MAY2007	0.321 IN <sup>3</sup>	NATURAL	1-480673-0
DIMENSIONS: mm [ INCHES ]		CHK C. CASH 15MAY2007	VOLUME	COLOR	PART NUMBER
TOLERANCES UNLESS OTHERWISE SPECIFIED:		APVD C. CASH 15MAY2007	TE Connectivity		
9 PLC ±		PRODUCT SPEC			
1 PLC ±		APPLICATION SPEC	CAP.		
2 PLC ±0.13 (1.005)		WEIGHT	9 CIRCUIT,		
3 PLC ±		CUSTOMER DRAWING	.140 MATE-N-LOK(TM)		
4 PLC ±		SCALE 4:1	RESTRICTED TO		
ANGLES ±		SHEET 1 OF 1	REV N3		
FINISH ±0°30'					
MATERIAL NYLON UL 94V-2					