



Chipsmall Limited consists of a professional team with an average of over 10 year of expertise in the distribution of electronic components. Based in Hongkong, we have already established firm and mutual-benefit business relationships with customers from,Europe,America and south Asia,supplying obsolete and hard-to-find components to meet their specific needs.

With the principle of “Quality Parts,Customers Priority,Honest Operation,and Considerate Service”,our business mainly focus on the distribution of electronic components. Line cards we deal with include Microchip,ALPS,ROHM,Xilinx,Pulse,ON,Everlight and Freescale. Main products comprise IC,Modules,Potentiometer,IC Socket,Relay,Connector.Our parts cover such applications as commercial,industrial, and automotives areas.

We are looking forward to setting up business relationship with you and hope to provide you with the best service and solution. Let us make a better world for our industry!



## Contact us

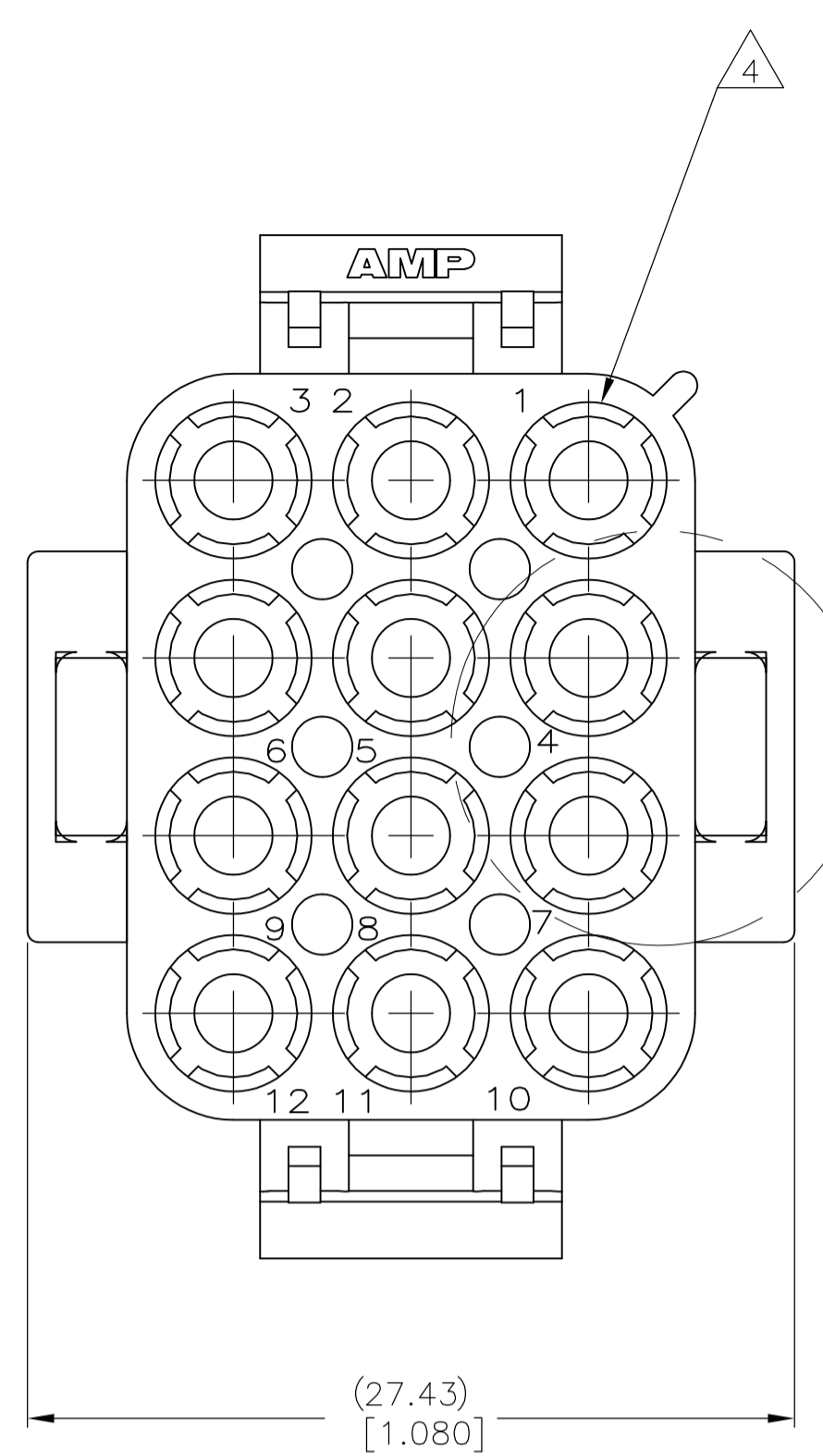
Tel: +86-755-8981 8866 Fax: +86-755-8427 6832

Email & Skype: info@chipsmall.com Web: www.chipsmall.com

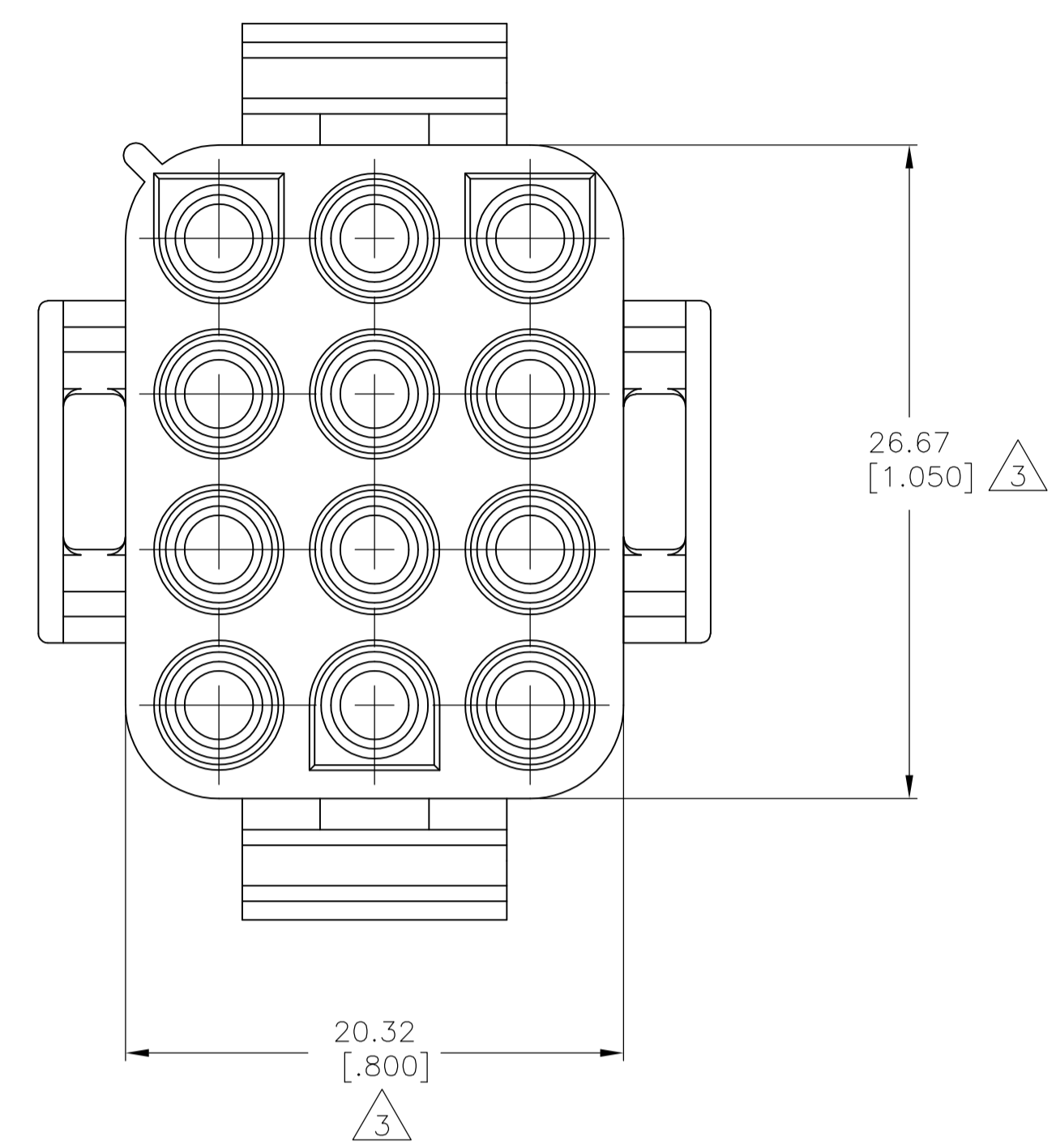
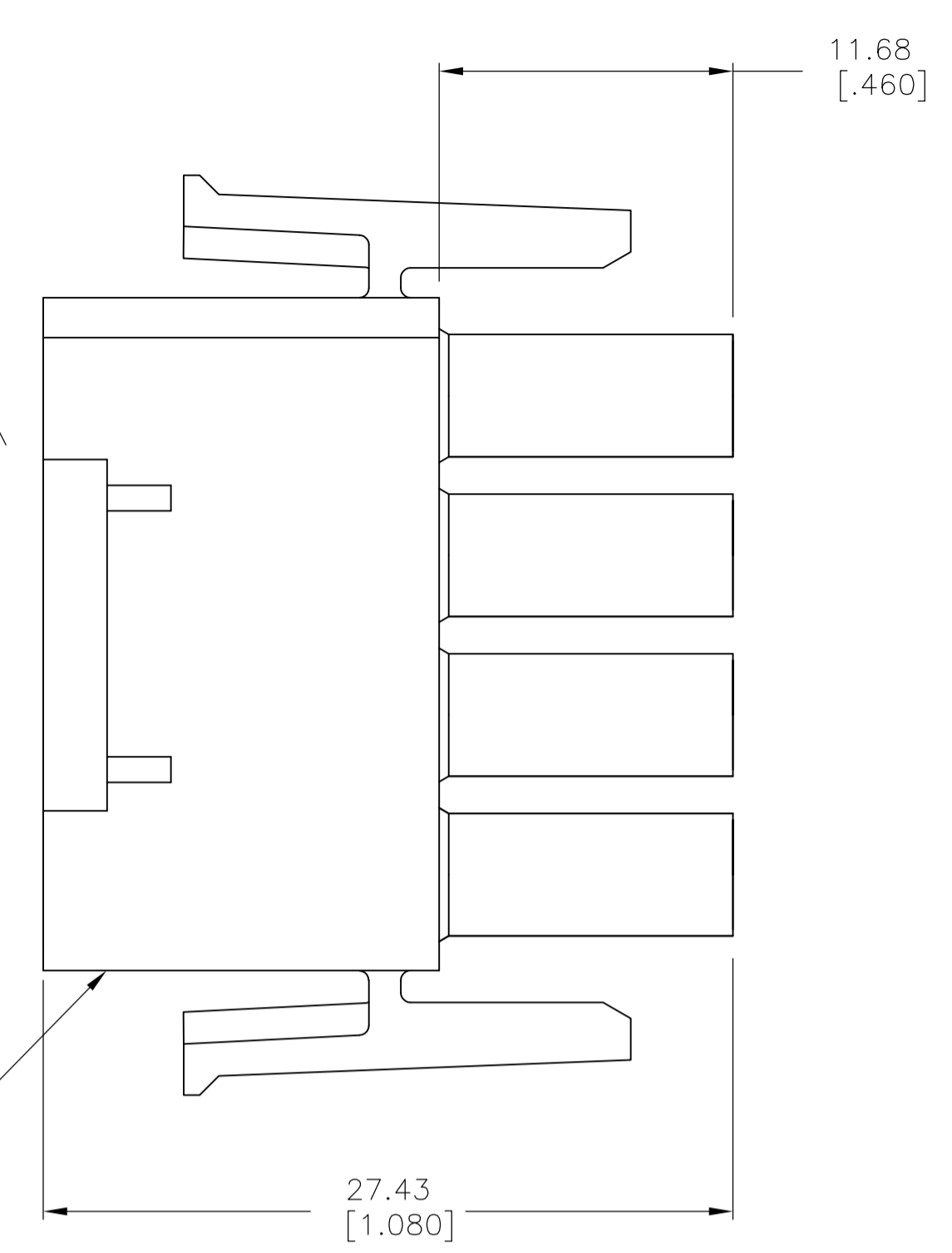
Address: A1208, Overseas Decoration Building, #122 Zhenhua RD., Futian, Shenzhen, China



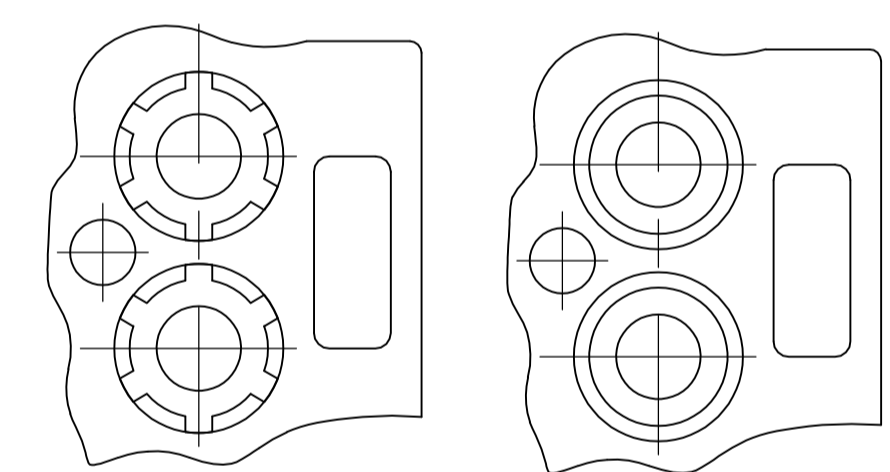
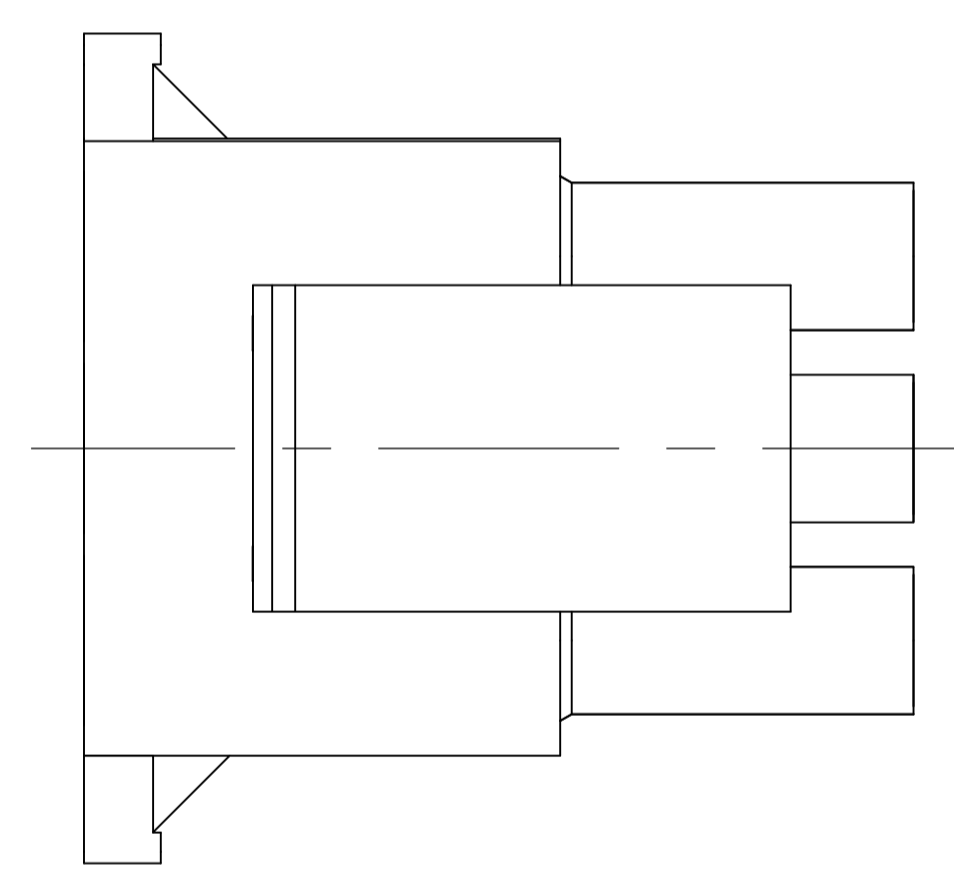
LOC		DIST		REVISIONS			
CM	00	REV	DATE	BY	CHK	APPV	
AP2	REVISED PER	ECO-11-004587	11MAR11	RK	HMR		



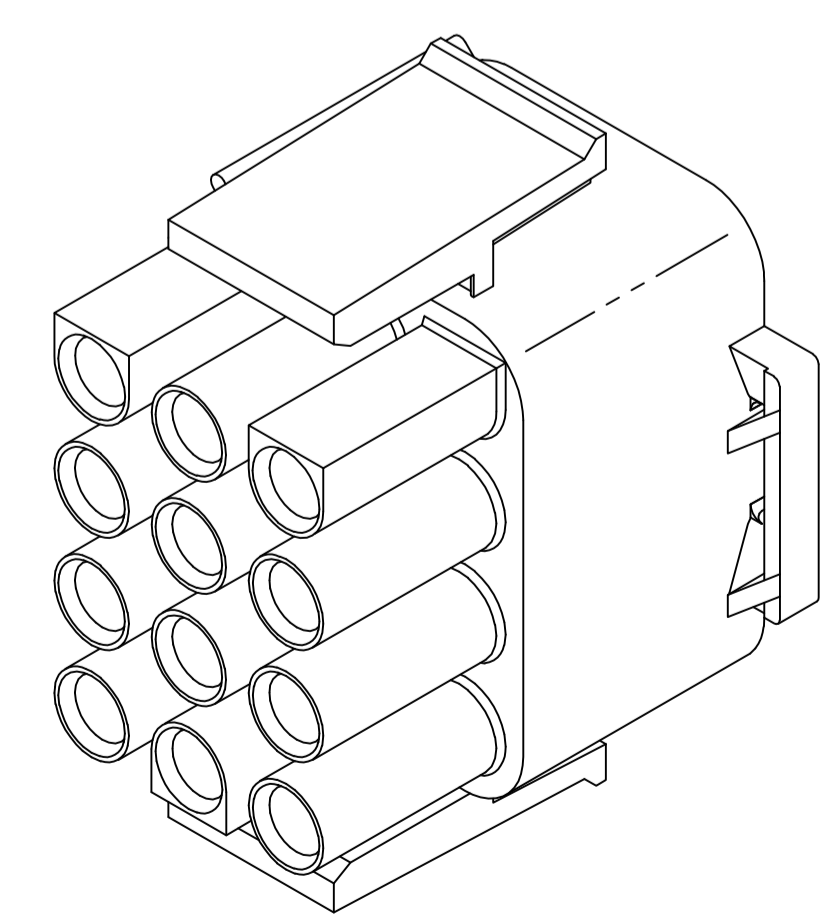
SEE DETAIL A



- 1 MATES WITH APPROPRIATE UNIVERSAL MATE-N-LOK™ CAP OR HEADER.
- 2 SMALL NICKS ARE PERMITTED ON THE CIRCUIT TOWERS WHICH COULD INCREASE THE INITIAL HOUSING MATING FORCE BY UP TO 4.4 NEWTONS [1.0 LBS]. NO INDIVIDUAL NICKED TOWER SHALL INCREASE THIS FORCE BY OVER 2.2 NEWTONS [.5 LBS].
- 3 DIMENSION INDICATED IS AS MOLDED. ADDITIONAL GROWTH DUE TO SUBSEQUENT MOISTURE ABSORPTION MAY OCCUR.
- 4 FOUR RIBS EQUALLY SPACED, NO SPECIFIC ORIENTATION. NO RIBS OR SIX RIBS EQUALLY SPACED, NO SPECIFIC ORIENTATION, OPTIONAL.
- 5 UNDERWRITERS RECOGNIZED COMPONENT LOGO AND CSA CERTIFICATION LOGO TO BE LOCATED ONCE EACH ON SIDE OF HOUSING.
- 6 OBSOLETE PARTS: OBSOLETE CIS STREAMLINING PER D.RENAUD/D.SINISI



DETAIL A  
OPTIONAL CONSTRUCTION



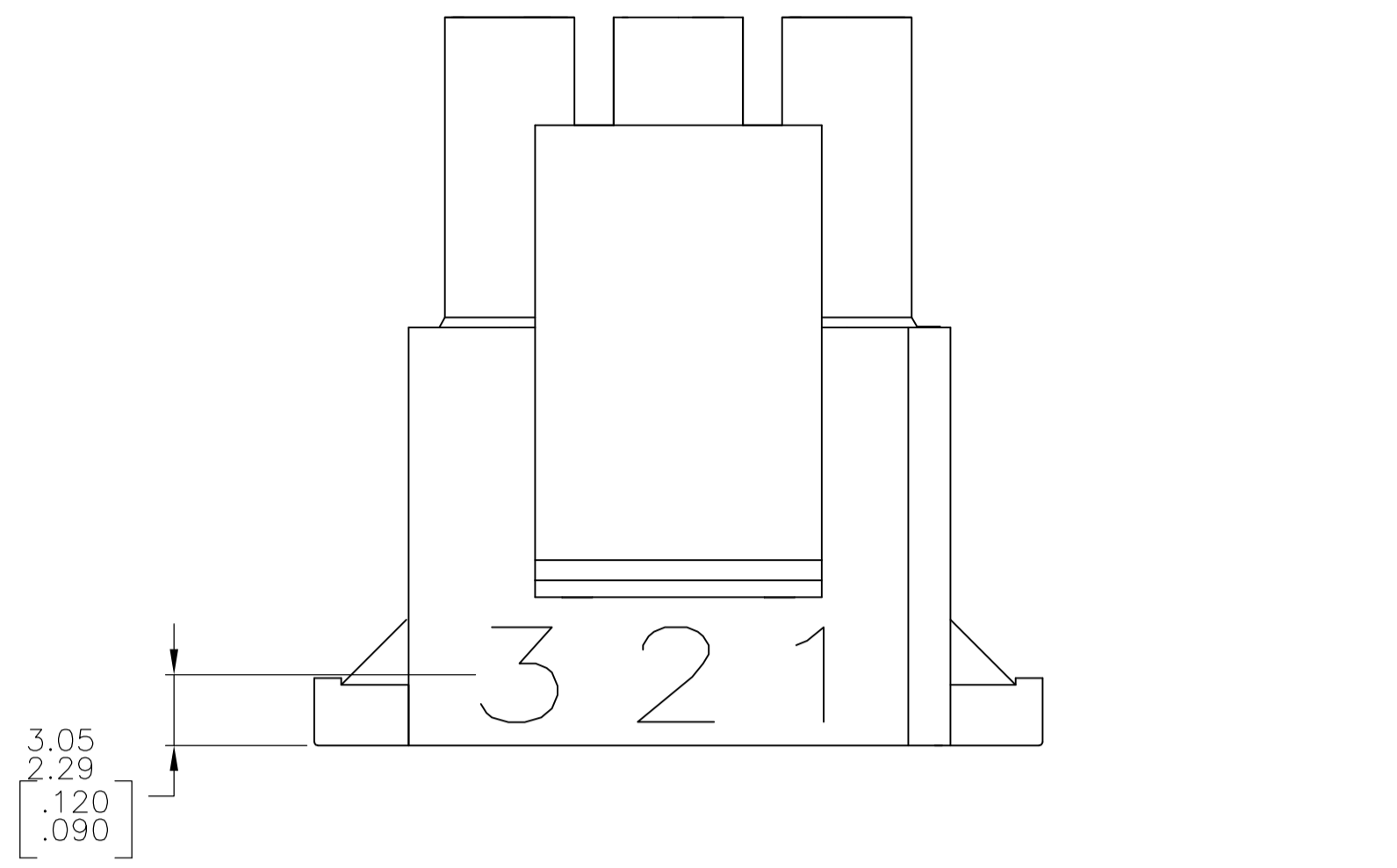
3-DIMENSIONAL MODEL  
NTS

6 OBSOLETE	BLACK	1-480708-9
	GREY	1-480708-8
	BLUE	1-480708-6
	GREEN	1-480708-5
	YELLOW	1-480708-4
	ORANGE	1-480708-3
6 OBSOLETE	RED	1-480708-2
	BROWN	1-480708-1
	NATURAL	1-480708-0
6 SUPERSEDED BY 1-480708-0		COLOR
		PART NO.

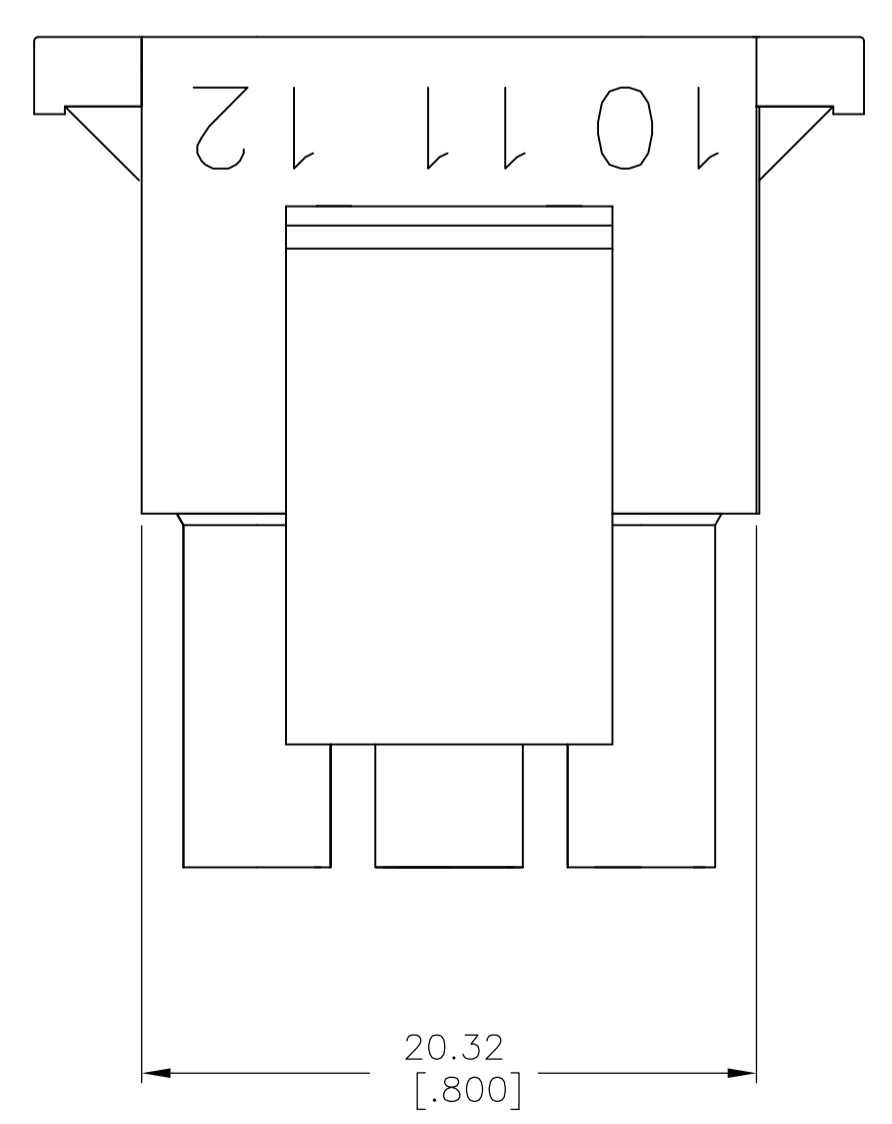
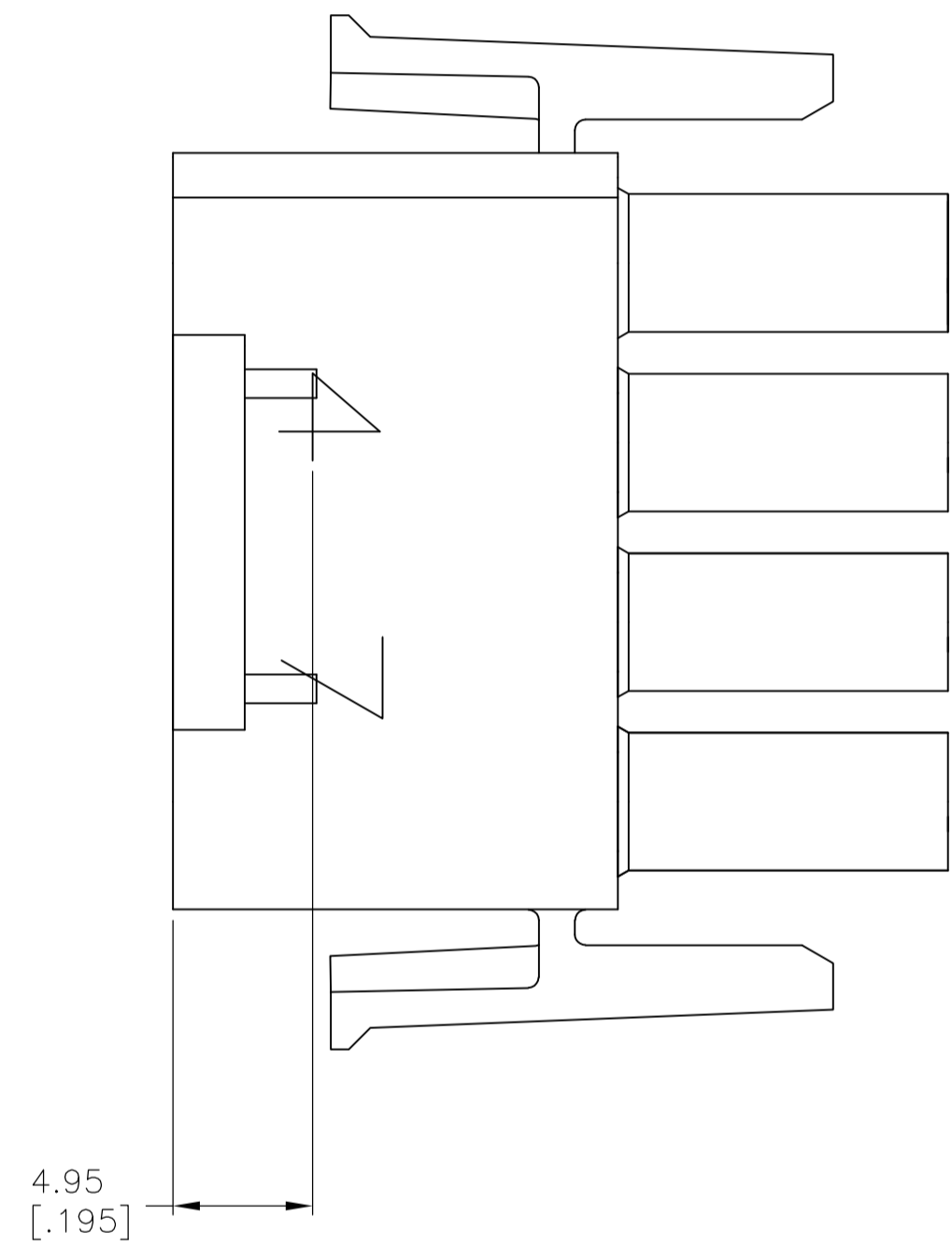
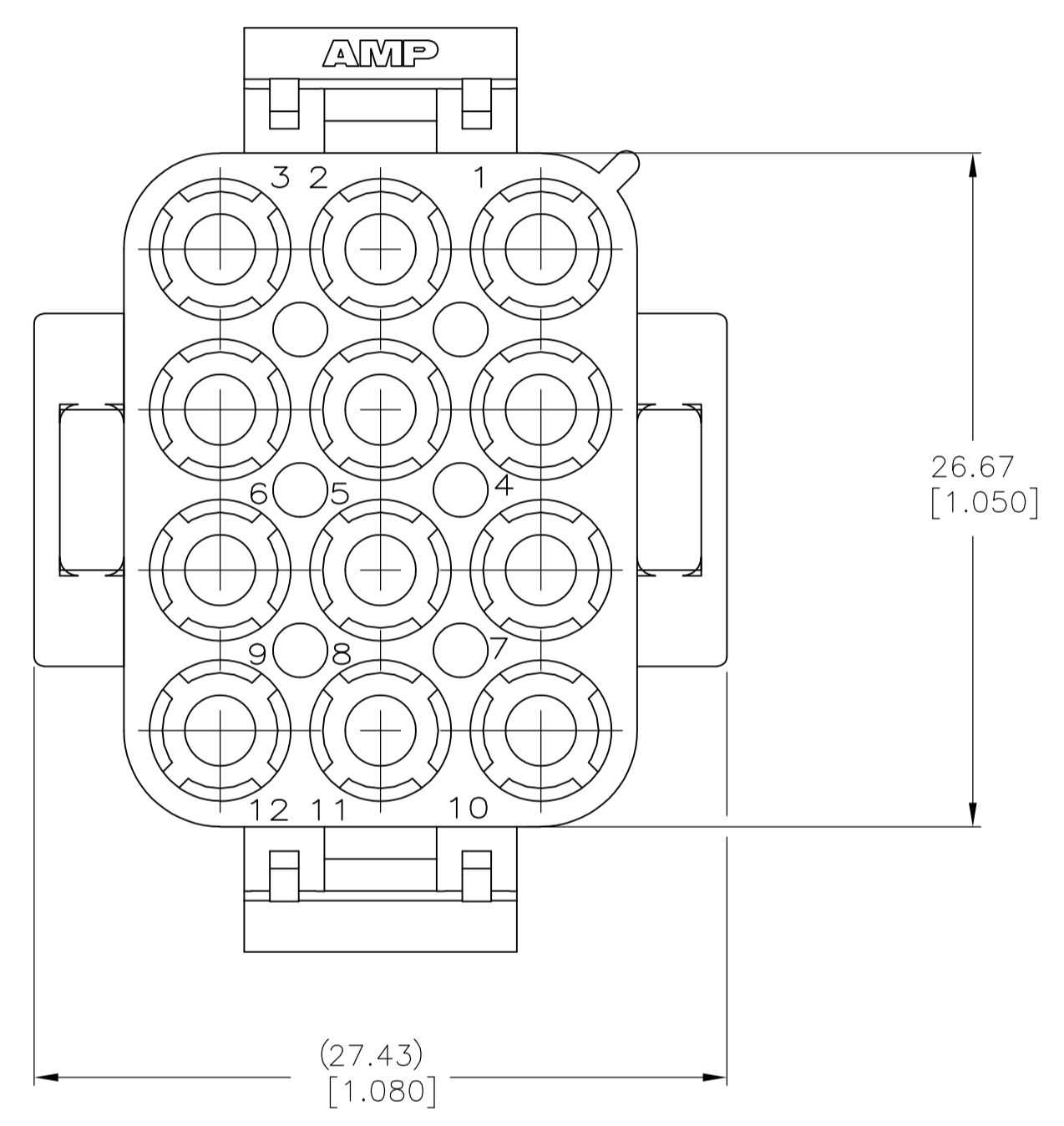
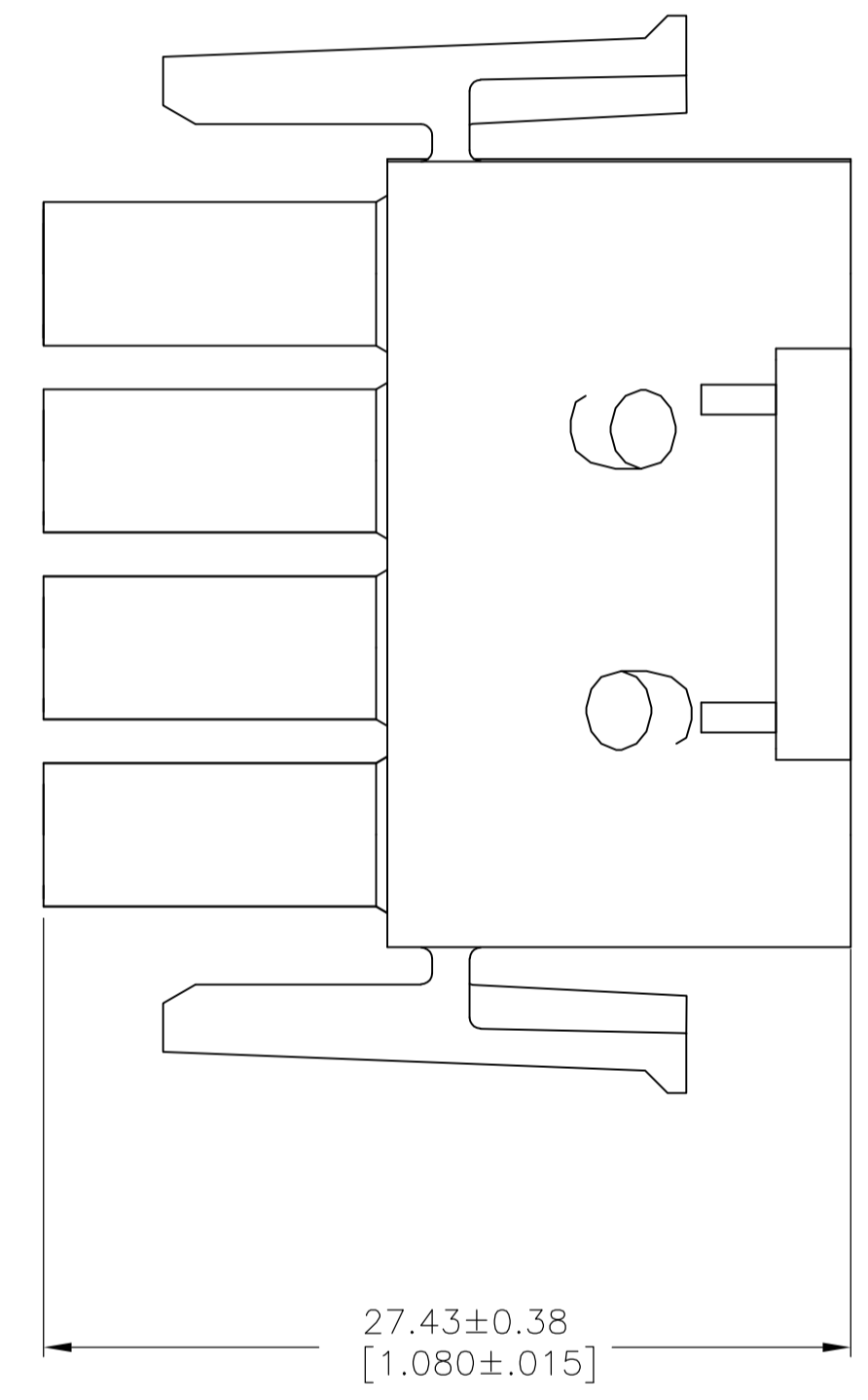
THIS DRAWING IS A CONTROLLED DOCUMENT.		DWG: K. WHITAKER 01SEP04	<b>STE</b> TE Connectivity	
DIMENSIONS: mm [INCHES]		CHK: S. RIDGILL 01SEP04		
TOLERANCES UNLESS OTHERWISE SPECIFIED:		APPV: S. RIDGILL 01SEP04	NAME: PLUG, 12 CIRCUIT, UNIVERSAL MATE-N-LOK™	
0 PLG ± -		PRODUCT SPEC	SIZE: A1	
1 PLG ± -		APPLICATION SPEC	CAGE CODE: 00779	
2 PLG ± 0.13 [.005]			DRAWING NO: 480708	
3 PLG ± -			RESTRICTED TO: -	
4 PLG ± -			SHEET 1 OF 2	
ANGLES ± 0.30°			REV: AP2	
MATERIAL: NYLON, UL 94V-2	FINISH: -	WEIGHT: -	CUSTOMER DRAWING	
		SCALE: 4:1		



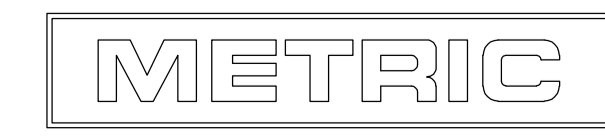
LOC		DIST		REVISIONS			
CM	00	REV	DATE	BY	APPV	DESCRIPTION	DATE
-	-	1	-	-	-	SEE SHEET 1	-



- 1 STAMP NUMBERS 3.18 HIGH AT WIRE END OF HOUSING (12 POINT DAVID TYPE).
- 2 CHARACTERS TO BE POSITIONED ON HOUSING TO BE READ FROM WIRE END ONLY.
- 3 VIOLET, BLACK, BROWN, AND BLUE COLORED BLOCKS TO BE STAMPED WITH WHITE CHARACTERS. ALL OTHER COLORED BLOCKS TO BE STAMPED WITH BLACK CHARACTERS.



NATURAL	2-480708-0
COLOR	PART NUMBER



THIS DRAWING IS A CONTROLLED DOCUMENT.		DIN K. WHITAKER 01SEP04		TE Connectivity	
DIMENSIONS: mm [INCHES]		CHK S. RIDGILL 01SEP04		NAME PLUG, 12 CIRCUIT, UNIVERSAL MATE-N-LOK	
TOLERANCES UNLESS OTHERWISE SPECIFIED:		APPV S. RIDGILL 01SEP04		PRODUCT SPEC	
0. PLC	± -	APPLICATION SPEC		SIZE CAGE CODE DRAWING NO	
1. PLC	± -	WEIGHT		RESTRICTED TO	
2. PLC	± 0.13 [.005]	A1 00779		C=480708	
3. PLC	± -	CUSTOMER DRAWING		SCALE 4:1 SHEET 2 OF 2 REV AP2	
4. PLC	± -				
ANGLES	± 0.30°				
MATERIAL NYLON, UL 94V-2	FINISH -				