



Chipsmall Limited consists of a professional team with an average of over 10 year of expertise in the distribution of electronic components. Based in Hongkong, we have already established firm and mutual-benefit business relationships with customers from,Europe,America and south Asia,supplying obsolete and hard-to-find components to meet their specific needs.

With the principle of “Quality Parts,Customers Priority,Honest Operation,and Considerate Service”,our business mainly focus on the distribution of electronic components. Line cards we deal with include Microchip,ALPS,ROHM,Xilinx,Pulse,ON,Everlight and Freescale. Main products comprise IC,Modules,Potentiometer,IC Socket,Relay,Connector.Our parts cover such applications as commercial,industrial, and automotives areas.

We are looking forward to setting up business relationship with you and hope to provide you with the best service and solution. Let us make a better world for our industry!



Contact us

Tel: +86-755-8981 8866 Fax: +86-755-8427 6832

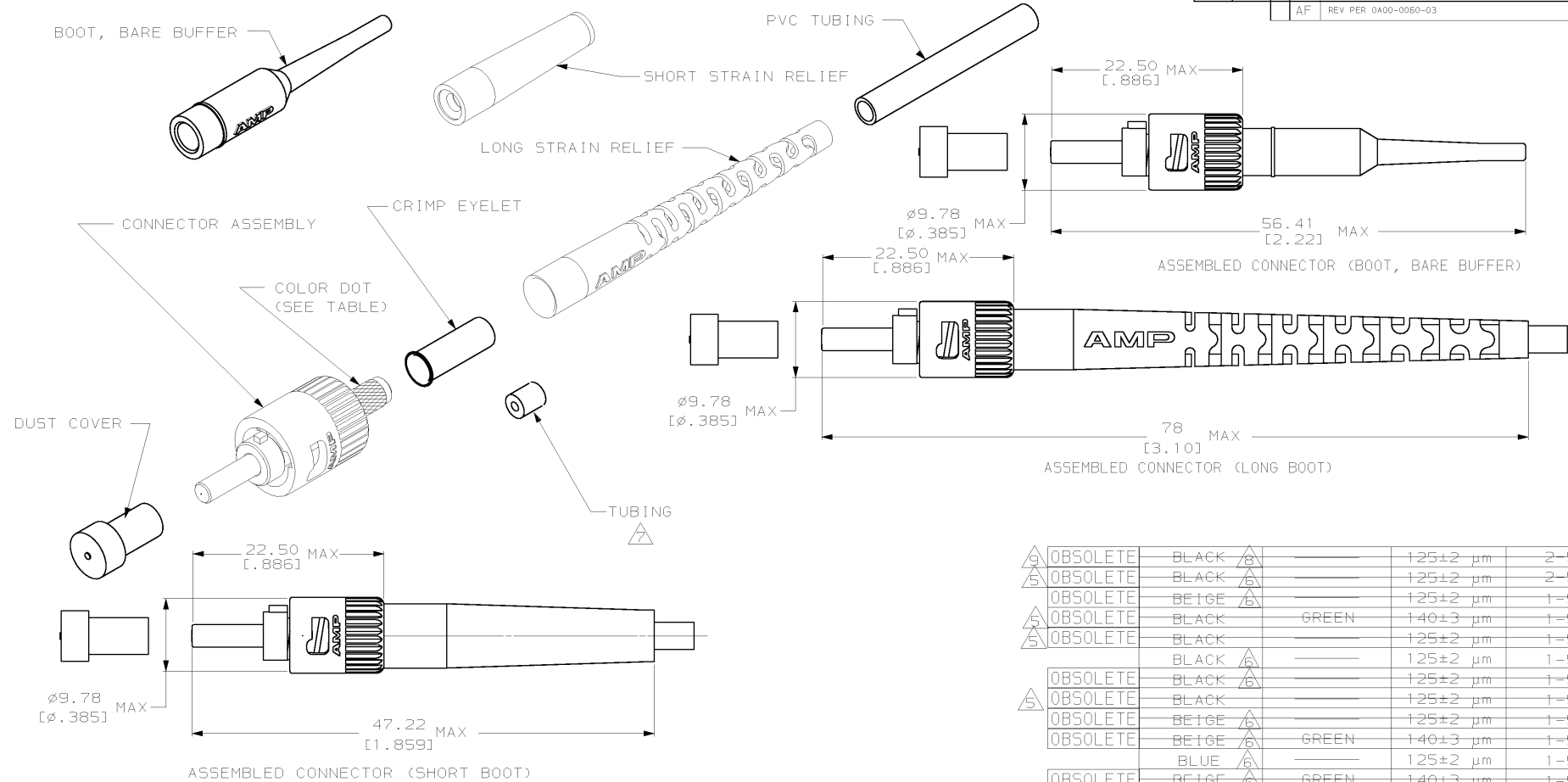
Email & Skype: info@chipsmall.com Web: www.chipsmall.com

Address: A1208, Overseas Decoration Building, #122 Zhenhua RD., Futian, Shenzhen, China



THIS DRAWING IS UNPUBLISHED. RELEASED FOR PUBLICATION .19
 © COPYRIGHT 19 BY AMP INCORPORATED. ALL RIGHTS RESERVED.

LOC	DIST	REVISIONS					
CE	16	P	LTR	DESCRIPTION	DATE	OWN	APVD
		AF		REV PER 0A00-0050-03	07MAR03	DDE	SB



- DIMENSIONS IN [] ARE IN INCHES.
 - INSTRUCTION SHEET 408-9645.
 - △ BODY: ELECTROLESS NICKEL
COUPLING NUT: ELECTROLESS NICKEL
 - △ BODY: BRASS
CAPILLARY: ZIRCONIUM OXIDE (ZrO₂)
COUPLING NUT: ZINC
STRAIN RELIEF: THERMOPLASTIC
 - △ BULK PACKAGED
 - △ SHORT BOOT
 - △ CLEAR TUBING USED ONLY ON 900μm BUFFERED FIBER FIBER WITHOUT STRENGTH MEMBERS.
 - △ BARE BUFFER (900μm) BOOT
 - △ PVC TUBING NOT INCLUDED
- △ LONG STRAIN RELIEF AND BARE BUFFER BOOT

△	OBSELETE	COLOR	△	STRAIN RELIEF COLORS	COLOR DOT	FIBER SIZE	PART NO
△ 9	OBSELETE	BLACK	△ 8			125±2 μm	2-501380-1
△ 5	OBSELETE	BLACK	△ 6			125±2 μm	2-501380-0
△ 5	OBSELETE	BEIGE	△ 6			125±2 μm	1-501380-9
△ 5	OBSELETE	BLACK		GREEN		140±3 μm	1-501380-8
△ 5	OBSELETE	BLACK				125±2 μm	1-501380-7
		BLACK	△ 6			125±2 μm	1-501380-6
		BLACK	△ 6			125±2 μm	1-501380-5
△ 5	OBSELETE	BLACK				125±2 μm	1-501380-4
		BEIGE	△ 6			125±2 μm	1-501380-3
		BEIGE	△ 6	GREEN		140±3 μm	1-501380-2
		BLUE	△ 6			125±2 μm	1-501380-1
		BEIGE	△ 6	GREEN		140±3 μm	1-501380-0
		BLUE	△ 6			125±2 μm	501380-9
		RED		GREEN		140±3 μm	501380-8
		RED				125±2 μm	501380-7
		BLACK		GREEN		140±3 μm	501380-6
		BLACK				125±2 μm	501380-5
		BEIGE		GREEN		140±3 μm	501380-4
		BEIGE				125±2 μm	501380-3
		BLACK		GREEN		140±3 μm	501380-2
		BLACK				125±2 μm	501380-1

THIS DRAWING IS A CONTROLLED DOCUMENT.

DIMENSIONS:	TOLERANCES UNLESS OTHERWISE SPECIFIED:	OWN: C. EISENHOUR 5-3-88	AMP Incorporated
mm		CHK: A. PLOTTS 5-4-88	Harrisburg, PA 17105-3608
		APVD: J. MONROE 5-4-88	CONNECTOR KIT, 2.5mm BAYONET, OPTIMATE
		PRODUCT SPEC: 108-1492	SIZE: A2
MATERIAL: △ 4	FINISH: △ 3	APPLICATION SPEC:	CAGE CODE (DRAWING NO): 00779
		WEIGHT: -	RESTRICTED TO: -
		CUSTOMER DRAWING	SCALE: 2:1
			SHEET: 1 OF 1
			REV: AF