



Chipsmall Limited consists of a professional team with an average of over 10 year of expertise in the distribution of electronic components. Based in Hongkong, we have already established firm and mutual-benefit business relationships with customers from,Europe,America and south Asia,supplying obsolete and hard-to-find components to meet their specific needs.

With the principle of “Quality Parts,Customers Priority,Honest Operation,and Considerate Service”,our business mainly focus on the distribution of electronic components. Line cards we deal with include Microchip,ALPS,ROHM,Xilinx,Pulse,ON,Everlight and Freescale. Main products comprise IC,Modules,Potentiometer,IC Socket,Relay,Connector.Our parts cover such applications as commercial,industrial, and automotives areas.

We are looking forward to setting up business relationship with you and hope to provide you with the best service and solution. Let us make a better world for our industry!



Contact us

Tel: +86-755-8981 8866 Fax: +86-755-8427 6832

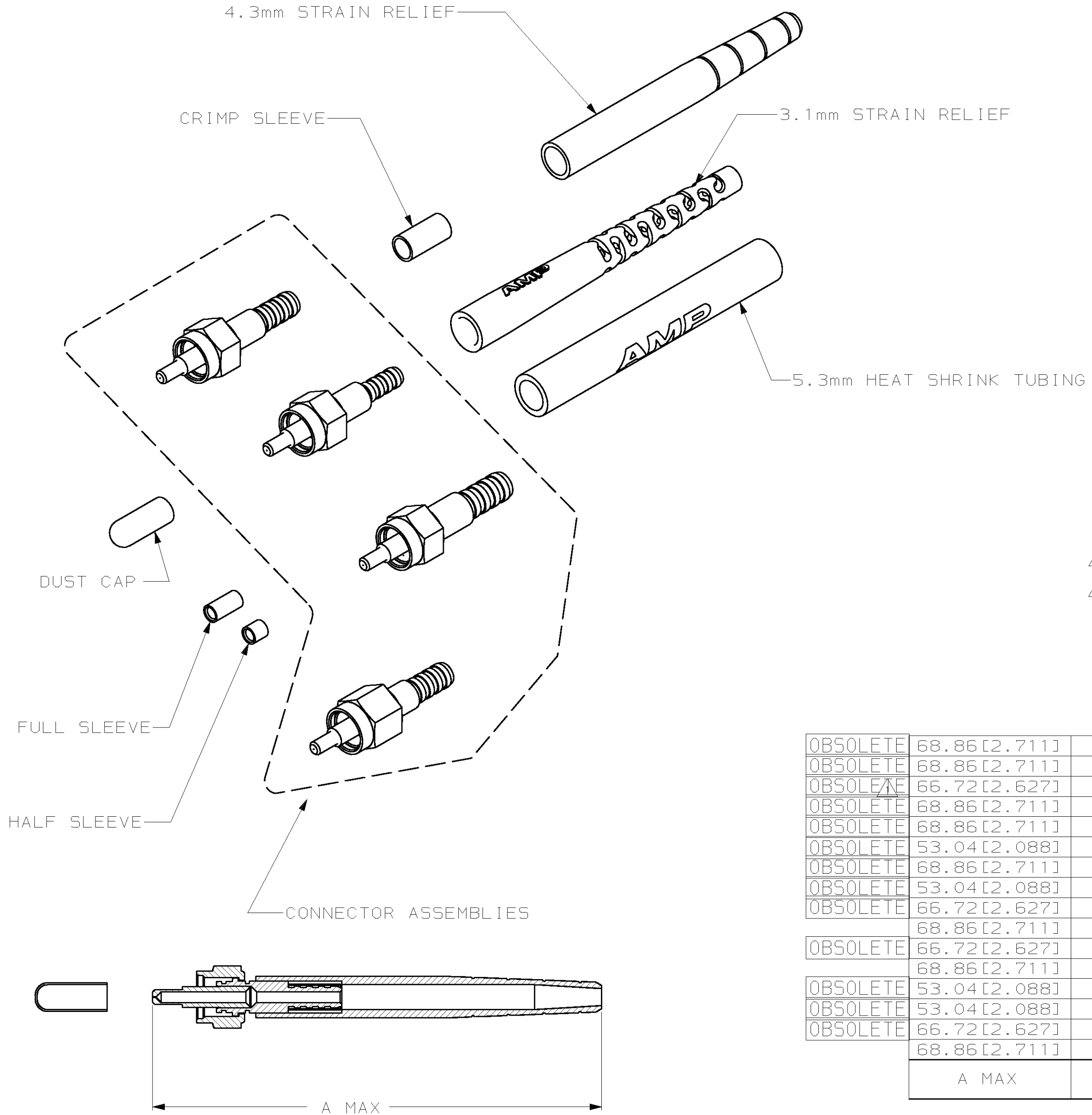
Email & Skype: info@chipsmall.com Web: www.chipsmall.com

Address: A1208, Overseas Decoration Building, #122 Zhenhua RD., Futian, Shenzhen, China



THIS DRAWING IS UNPUBLISHED. RELEASED FOR PUBLICATION .19
 (C) COPYRIGHT 19 BY AMP INCORPORATED. ALL RIGHTS RESERVED.

LOC	DIST	REVISIONS					
CE	16	P	LTR	DESCRIPTION	DATE	DWN	APVD
		K		REV PER 0A00-0290-01	19OCT01	DDE	5B



- 1 BULK PACKAGED 50 PER UNIT.
- 2 PACKAGE MUST BE MARKED "KANNEGIETER CODE CGV 0103"
- 3 MATERIAL
 - a) BODY: BRASS
 - b) FERRULE: STAINLESS STEEL
 - c) NUT: BRASS
 - d) CRIMP SLEEVE: BRASS
 - e) DUST CAP: VINYL, COLOR, RED
 - f) HALF & FULL SLEEVE: DELRIN, COLOR, WHITE
- 4 MATERIAL
 - a) BODY: STAINLESS STEEL
 - b) FERRULE: STAINLESS STEEL
 - c) NUT: BRASS
 - d) CRIMP SLEEVE: BRASS
 - e) DUST CAP: VINYL, COLOR, RED
 - f) HALF & FULL SLEEVE: DELRIN, COLOR, WHITE
- 5 FINISH
 - a) BODY, NUT, CRIMP SLEEVE: NICKEL PLATE
- 6 FINISH
 - a) NUT, CRIMP SLEEVE: NICKEL PLATE
- 7 3.1mm STRAIN RELIEF: THERMOPLASTIC ELASTOMER, CLR, BLACK
- 8 4.1mm STRAIN RELIEF: VINYL, COLOR, BLACK
- 9 5.3mm HEAT SHRINK TUBING: POLYOLEFIN, COLOR, BLACK

OBSOLETE	68.86 [2.711]	7	436µm	3.1mm MAX	5	3	2-504014-5
OBSOLETE	68.86 [2.711]	7	229µm	3.1mm MAX	6	4	2-504014-4
OBSOLETE	66.72 [2.627]	8	140µm	4.3mm MAX	5	3	2-504014-3
OBSOLETE	68.86 [2.711]	7	240µm	3.1mm MAX	5	3	2-504024-1
OBSOLETE	68.86 [2.711]	7	600µm	3.1mm MAX	5	3	2-504014-0
OBSOLETE	53.04 [2.088]	9	240µm	5.3mm MAX	5	3	1-504014-9
OBSOLETE	68.86 [2.711]	7	140µm	3.1mm MAX	6	4	1-504014-4
OBSOLETE	53.04 [2.088]	9	140µm	5.3mm MAX	5	3	1-504014-2
OBSOLETE	66.72 [2.627]	8	140µm	4.3mm MAX	5	3	1-504014-1
	68.86 [2.711]	7	140µm	3.1mm MAX	5	3	1-504014-0
OBSOLETE	66.72 [2.627]	8	125µm	4.3mm MAX	6	4	504014-6
	68.86 [2.711]	7	125µm	3.1mm MAX	6	4	504014-5
OBSOLETE	53.04 [2.088]	9	125µm	5.3mm MAX	5	3	504014-4
OBSOLETE	53.04 [2.088]	9	125µm	5.3mm MAX	5	3	504014-3
OBSOLETE	66.72 [2.627]	8	125µm	4.3mm MAX	5	3	504014-2
	68.86 [2.711]	7	125µm	3.1mm MAX	5	3	504014-1
	A MAX	BOOT	HOLE SIZE	CABLE SIZE	FINISH	MATERIAL	PART NUMBER

THIS DRAWING IS A CONTROLLED DOCUMENT.

DWN: R.HILEMAN 9-3-92
 CHK: P.YEAGER 9-28-02
 APVD: S.BUCHTER 9-28-02

AMP Incorporated
 Harrisburg, PA 17105-3608

AMP

906 CONNECTOR KIT


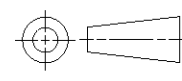
SIZE: A2 CAGE CODE: 00779 DRAWING NO: C-504014 RESTRICTED TO: -

MATERIAL: SEE TABLE FINISH: SEE TABLE WEIGHT: - SCALE: NTS SHEET: 1 OF 2 REV: K

THIS DRAWING IS UNPUBLISHED. RELEASED FOR PUBLICATION, 19 .
 (C) COPYRIGHT 19 BY AMP INCORPORATED, ALL RIGHTS RESERVED.

LOC	DIST	REVISIONS					
CE	16	P	LTR	DESCRIPTION	DATE	DWN	APVD
			K	SEE SHT 1	-	-	-

OBSOLETE	68.86 [2.711]	△	336μm	3.1mm MAX	△	△	4-504014-6
OBSOLETE	68.86 [2.711]	△	200μm	3.1mm MAX	△	△	4-504014-5
OBSOLETE	68.86 [2.711]	△	200μm	3.1mm MAX	△	△	4-504014-4
OBSOLETE	68.86 [2.711]	△	.039 in	3.1mm MAX	△	△	4-504014-2
OBSOLETE	66.72 [2.627]	△	231μm	4.3mm MAX	△	△	4-504014-1
OBSOLETE	68.86 [2.711]	△	125μm	3.1mm MAX	△	△	4-504014-0
OBSOLETE	68.86 [2.711]	△	240μm	3.1mm MAX	△	△	3-504014-7
OBSOLETE	68.86 [2.711]	△	470μm	3.1mm MAX	△	△	3-504014-6
OBSOLETE	68.86 [2.711]	△	250μm	3.1mm MAX	△	△	3-504014-5
OBSOLETE	68.86 [2.711]	△	280μm	3.1mm MAX	△	△	3-504014-3
OBSOLETE	68.86 [2.711]	△	500μm	3.1mm MAX	△	△	3-504014-2
OBSOLETE	68.86 [2.711]	△	140μm	3.1mm MAX	△	△	3-504014-1
OBSOLETE	68.86 [2.711]	△	250μm	3.1mm MAX	△	△	3-504014-0
OBSOLETE	68.86 [2.711]	△	125μm	3.1mm MAX	△	△	2-504014-8
OBSOLETE	68.86 [2.711]	△	145μm	3.1mm MAX	△	△	2-504014-7
OBSOLETE	68.86 [2.711]	△	231μm	3.1mm MAX	△	△	2-504014-6
	A MAX	BOOT	HOLE SIZE	CABLE SIZE	FINISH	MATERIAL	PART NUMBER

THIS DRAWING IS A CONTROLLED DOCUMENT.		DWN	R.HILEMAN	9-3-92	 AMP Incorporated Harrisburg, PA 17105-3608
DIMENSIONS: mm [INCHES]		CHK	P.YEAGER	9-28-92	
		APVD	S.BUCHTER	9-28-92	
TOLERANCES UNLESS OTHERWISE SPECIFIED: 0 PLC ±- 1 PLC ±- 2 PLC ±- 3 PLC ±- 4 PLC ±- ANGLES ±-		NAME		906 CONNECTOR KIT	
MATERIAL	SEE TABLE	FINISH	SEE TABLE	WEIGHT	-
CUSTOMER DRAWING		SCALE	NTS	SHEET	2 OF 2
		REV	K		