



Chipsmall Limited consists of a professional team with an average of over 10 year of expertise in the distribution of electronic components. Based in Hongkong, we have already established firm and mutual-benefit business relationships with customers from,Europe,America and south Asia,supplying obsolete and hard-to-find components to meet their specific needs.

With the principle of “Quality Parts,Customers Priority,Honest Operation,and Considerate Service”,our business mainly focus on the distribution of electronic components. Line cards we deal with include Microchip,ALPS,ROHM,Xilinx,Pulse,ON,Everlight and Freescale. Main products comprise IC,Modules,Potentiometer,IC Socket,Relay,Connector.Our parts cover such applications as commercial,industrial, and automotives areas.

We are looking forward to setting up business relationship with you and hope to provide you with the best service and solution. Let us make a better world for our industry!



Contact us

Tel: +86-755-8981 8866 Fax: +86-755-8427 6832

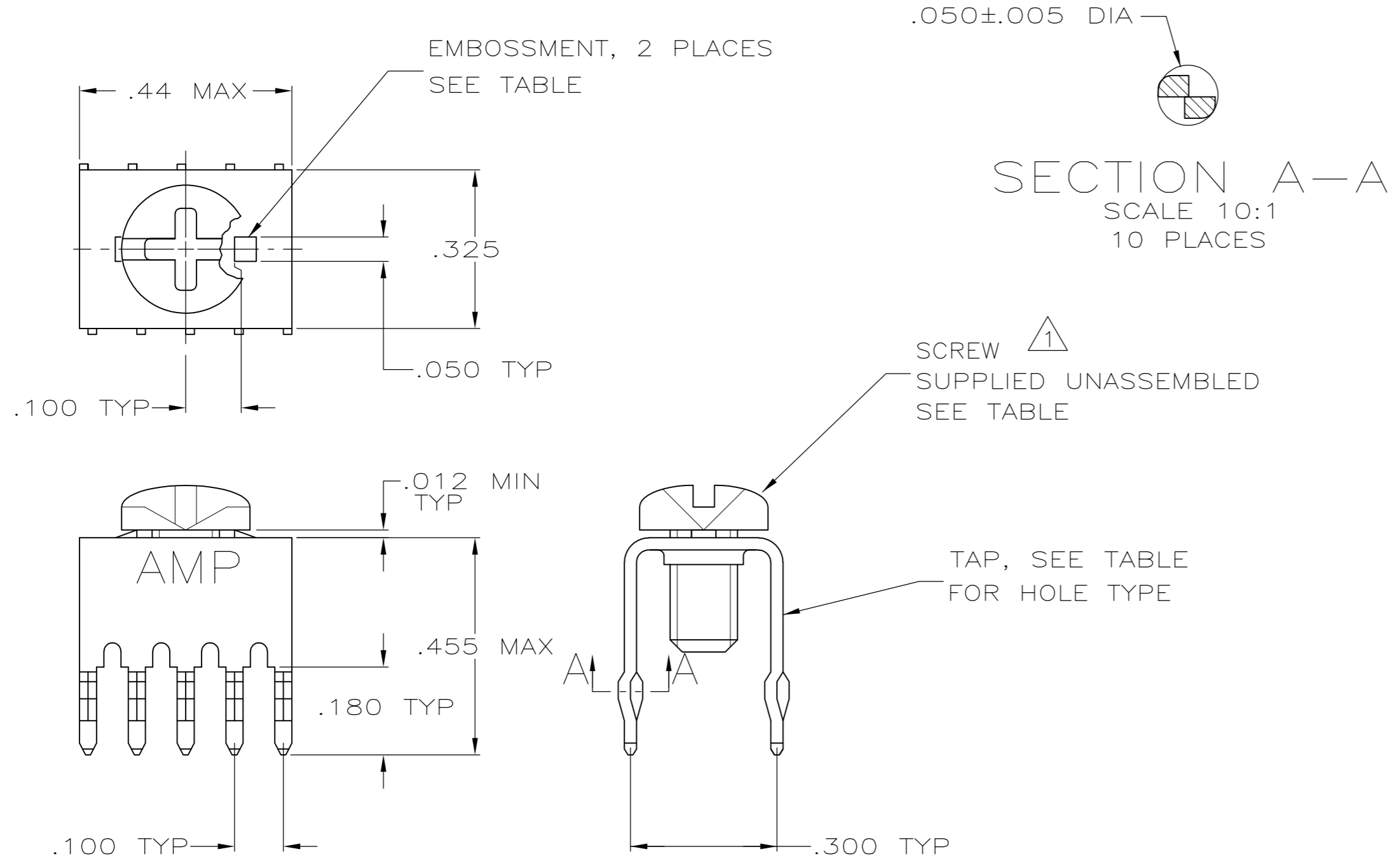
Email & Skype: info@chipsmall.com Web: www.chipsmall.com

Address: A1208, Overseas Decoration Building, #122 Zhenhua RD., Futian, Shenzhen, China

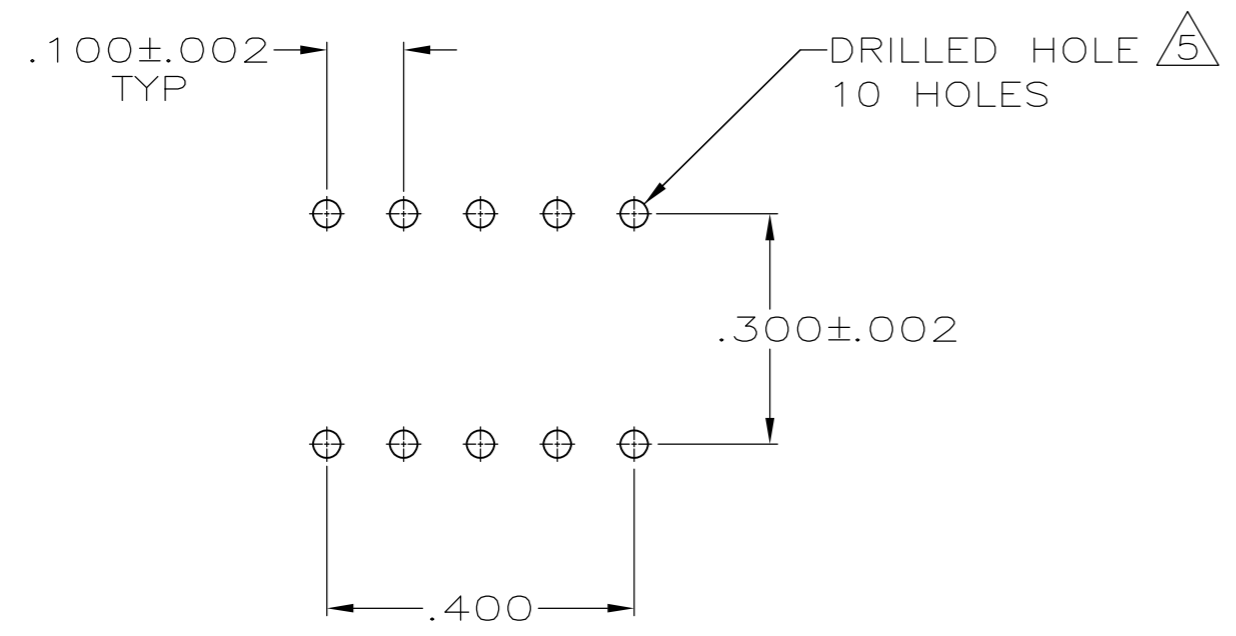


THIS DRAWING IS UNPUBLISHED. RELEASED FOR PUBLICATION
 © COPYRIGHT - By - ALL RIGHTS RESERVED.

LOC	DIST	REVISIONS					
AA	00	P	LTR	DESCRIPTION	DATE	DWN	APVD
		C1		REVISED PER ECO-11-004835	11MAR11	RK	HMR



- ¹ TO PREVENT THREAD STRIPPING, SCREW TORQUE SHOULD NOT EXCEED 9 IN LBS.
- ² TAP HOLE IS 6-32UNC-2B, TWO MIN THREADS.
- ³ TAP HOLE IS M4 X 0.7, TWO MIN THREADS.
- ⁴ TAP: .000020-.000120 MATTE TIN OVER .000050 NICKEL.
- ⁵ REFERENCE APPLICATION SPECIFICATION 114-11000 FOR DRILL HOLE SIZES AND FINISHES.



PC BOARD PATTERN

FINISH	HOLE TYPE	SCREW	EMBOSSMENT	PART NUMBER
⁴	³	NO	YES	1-5055558-1
⁴	²	NO	NO	5055558-7
	²	993879-1	YES	5055558-4
	²	NO	YES	5055558-3

THIS DRAWING IS A CONTROLLED DOCUMENT.		DWN J. ALCORTA - DOCK5 05-04-05	STE TE Connectivity	
DIMENSIONS: INCHES		CHK A. FRANTUM 05-04-05		
TOLERANCES UNLESS OTHERWISE SPECIFIED:		APVD S. FLICKINGER 05-04-05	NAME TAP, POWER DISTRIBUTION	
0 PLC ± -		PRODUCT SPEC 108-11030	SIZE A2	
1 PLC ± -		APPLICATION SPEC 114-11000	CAGE CODE 00779	DRAWING NO C=5055558
2 PLC ± -		WEIGHT -	SCALE 4:1	SHEET 1 of 1
3 PLC ± .008		FINISH ⁴	RESTRICTED TO -	REV C1
4 PLC ± -		MATERIAL COPPER ALLOY 725.	CUSTOMER DRAWING	
ANGLES ± -				

5055558